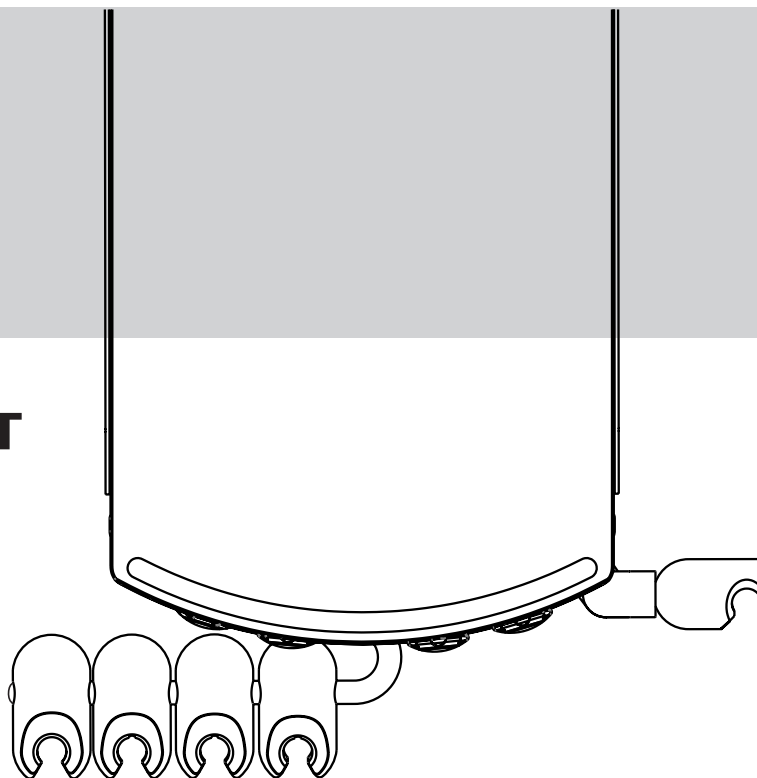


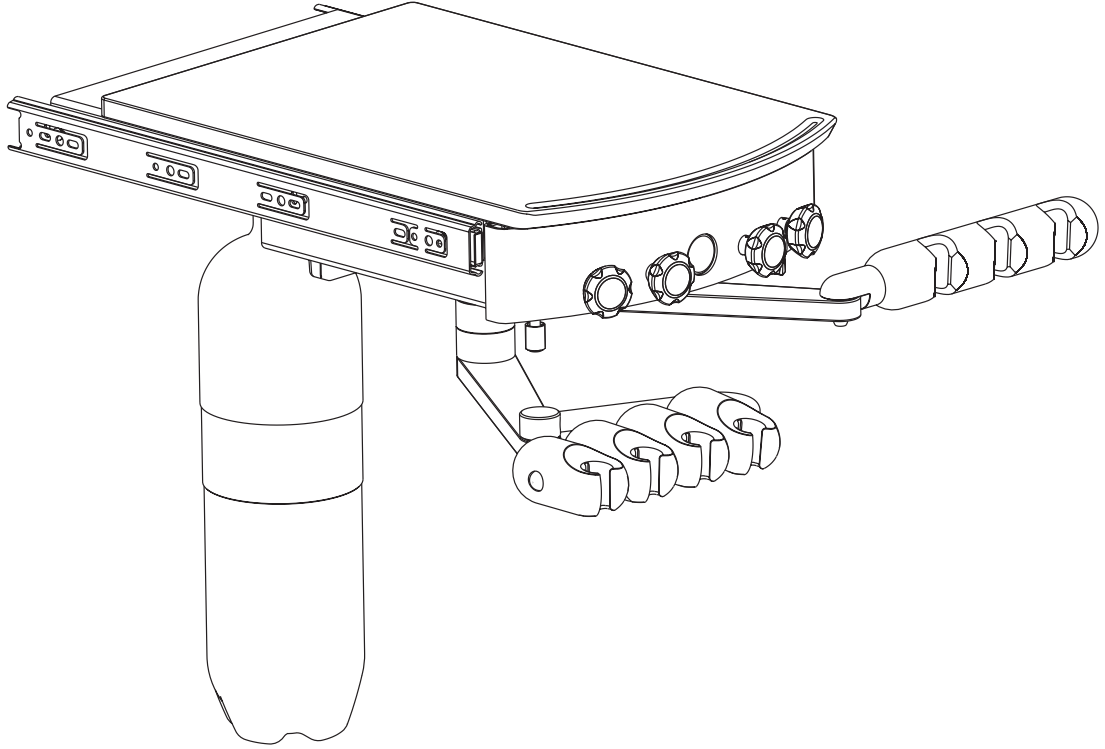
**SERIES 4 12 O'CLOCK
UNDER COUNTER MOUNT
DELIVERY SYSTEM**

Installation Instructions

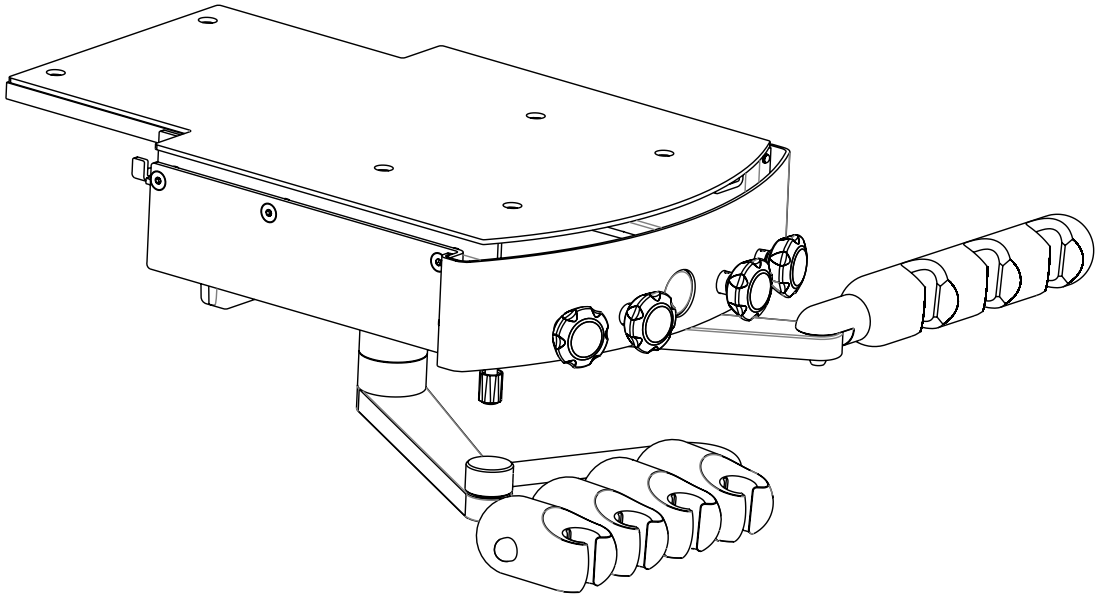


OVERVIEW

DR4050 12 O'Clock Slide Out Delivery with Dr & Assistant's Instruments



DR4150 12 O'Clock Fixed Delivery with Dr & Assistant's Instruments



INTRODUCTION

BEFORE YOU BEGIN

Study the unit overview in this booklet and layout dimensions from the owner's manual. Make sure the planned location will have the necessary space available for installation, including room for travel of the chair's base and backrest.

Open all containers and review the contents. It may be helpful to locate all kits containing accessories. (Smaller parts are often packaged together to avoid being lost.)

Locate all documentation supplied with the package. Manuals and installation sheets may be found in one or more boxes accompanying their respective components. Set aside the owner's manual for the end user to review.

If a complete ensemble is to be installed, set up the chair first. Refer to the installation manual supplied with the chair for instructions.

TABLE OF CONTENTS

Overview	2
Introduction	3
Preparations	4
Slide Out Delivery Installation	6
Fixed Mount Delivery Installation	7
Installation of Ancillary Devices	8
Floor Utilities	9
Make Connections	10

SYMBOLS USED IN THIS MANUAL

The following symbols may be used throughout this product manual:



WARNING: Failure to carefully follow the described procedure may result in damage to the equipment or the operator.



CAUTION: Failure to carefully follow the described procedure may result in damage to the equipment.



NOTE: Take note of additional important information. Not a warning or caution.



ELECTRICAL HAZARD: Risk of electrical shock present. Ensure that power is disconnected before attempting procedure.

REGULATORY INFORMATION

Regulatory information is delivered with DCI Edge dental equipment as mandated by agency requirements and can be found in the accompanying Instructions For Use for this device.

PREPARATIONS

TOOLS NEEDED FOR INSTALLATION

Phillips head screwdriver
Utility knife
5/32" Hex key
1/8" Hex key

INCLUDED HARDWARE

8 - #10 wood screws
6 - 1/4-20 x 3/4" machine screws

REMOVE FROM PACKAGING

- 1** Remove the unit from the packaging.
- 2** Locate all hardware.
- 3** Ensure the unit is complete with water system, vacuum canister, foot control, and utilities for air and water.

PREPARATIONS

PREPARE CABINET FOR MOUNTING


If the 12 o'clock cabinet to which you are installing this unit is not a DCI Edge 12 O'Clock Cabinet, you must follow the below steps 1-3.

- 1** Ensure that the cabinet to which this unit will be mounted has been rated at minimum to support the cantilevered, distributed load of 100lbs.
- 2** Ensure the opening in the center module of the cabinet where the unit will be installed has a width of exactly 11 inches. Ensure that the side walls of the module are parallel by measuring the width at the back of the module as well.


3 Drill holes for mounting:

For SLIDE OUT models DR4050, DR4051 and DR4052, drill holes according to the instructions provided in template PN 40048 for mounting the drawer slides and the vacuum canister.

For FIXED MOUNT models DR4150, DR4151 and DR4152, drill holes according to the instructions provided in template PN 40049. The upper panel of the cabinet for bearing the load of the unit should be plywood. Install 1/4-20 x 3/4" T-nuts into this panel and verify that the assembly can support 100lbs.



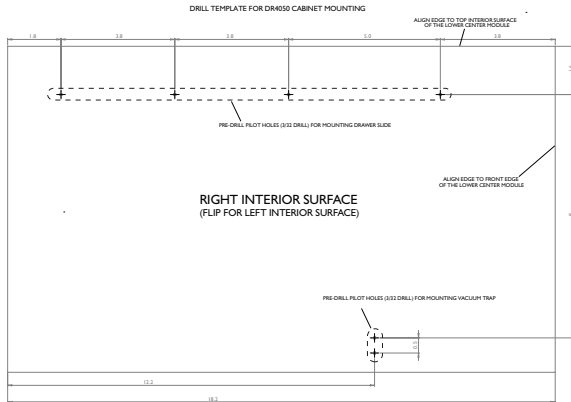
WARNING: Failure to ensure that this unit is mounted to a cabinet which can support the rated load could result in severe injury.



WARNING: To prevent injury, have an assistant support the weight of the unit and countertop during installation.

TEMPLATE PN 40048

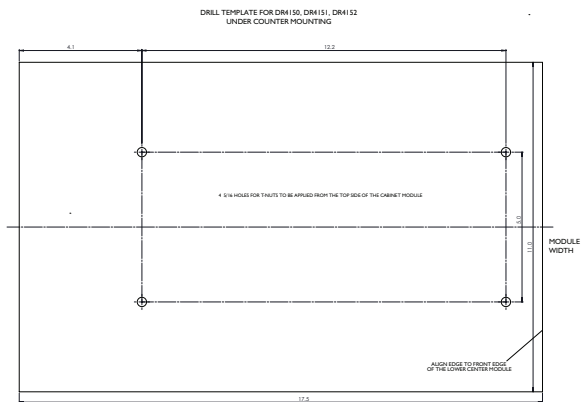
12 O' CLOCK SLIDE OUT DELIVERY MOUNTING TEMPLATE



NOTICE: DCI RETAINS THE INTELLECTUAL RIGHTS TO THIS ELECTRONIC INFORMATION. ALTERATION OR DISTRIBUTION OF THIS ELECTRONIC DATA WITHOUT PERMISSION IS PROHIBITED.
PN 40048, Rev. A, 2018-07-24 www.dcionline.com 800-624-3793 365 N. Springcreek Road Newberg, OR 97132, USA

TEMPLATE PN 40049

12 O' CLOCK FIXED MOUNT DELIVERY MOUNTING TEMPLATE



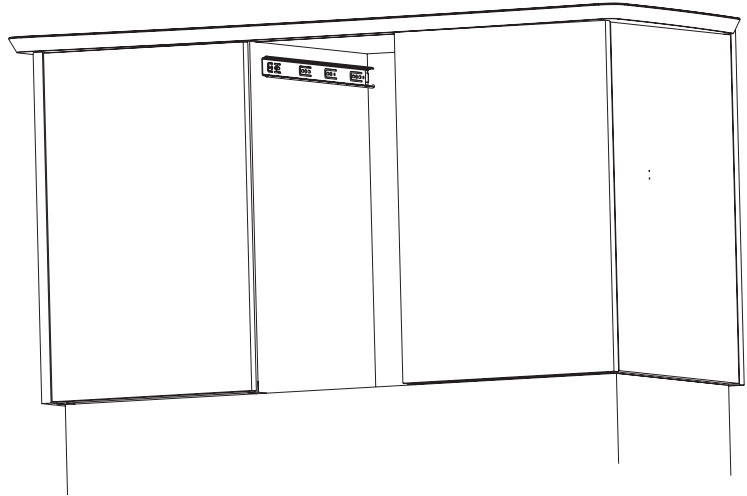
NOTICE: DCI RETAINS THE INTELLECTUAL RIGHTS TO THIS ELECTRONIC INFORMATION. ALTERATION OR DISTRIBUTION OF THIS ELECTRONIC DATA WITHOUT PERMISSION IS PROHIBITED.
PN 40049, Rev. A, 2018-07-24 www.dcionline.com 800-624-3793 365 N. Springcreek Road Newberg, OR 97132, USA

SLIDE OUT DELIVERY INSTALLATION

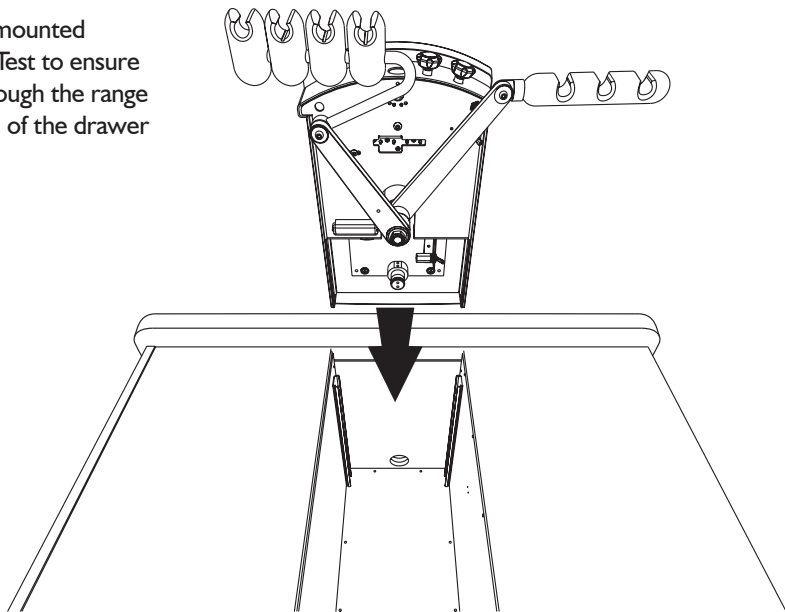
Note: For installing fixed mount models DR4050, DR4051 and DR4052 skip to page 8 of this manual.

ATTACH DRAWER SLIDES

1 Align the outer portion of each drawer slide to the holes you previously drilled according to the template, and attach the drawer slides to the side walls of the module with the wood screws provided and a Phillips head screwdriver.



2 Slide the unit assembly into the mounted drawer slides until fully seated. Test to ensure the drawer slides move smoothly through the range of travel and stop at the full extension of the drawer slides.



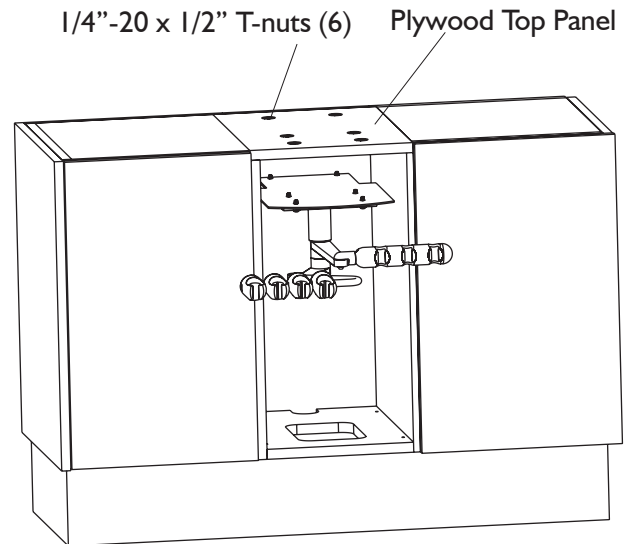
WARNING:

To prevent injury, have an assistant support the weight of the unit and countertop during installation.

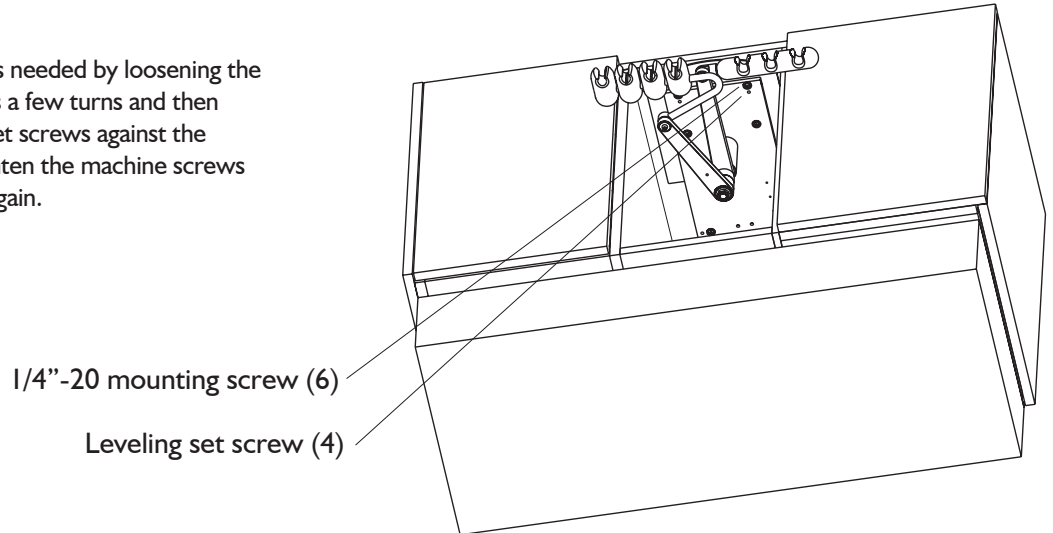
FIXED MOUNT DELIVERY INSTALLATION (FOR NON-DCI CABINETS)

ATTACH UNIT ASSEMBLY

1 Slide the unit drawer from the main mounting plate to gain access to the mounting holes on the bottom of the main mounting plate. Then, align the 6 large holes in the mounting plate to the T-nuts which were previously installed in the lower module of the cabinet. Use a 5/32" hex to key and the 6 - 1/4"-20 x 3/4" machine screws to attach the main mounting plate to the underside of the cabinet.



2 Level the unit as needed by loosening the machine screws a few turns and then driving the 4 outer set screws against the leveling plate. Retighten the machine screws and check for level again.



WARNING: Before using the equipment, ensure that the assembly is level and all mounting bolts are securely fastened.

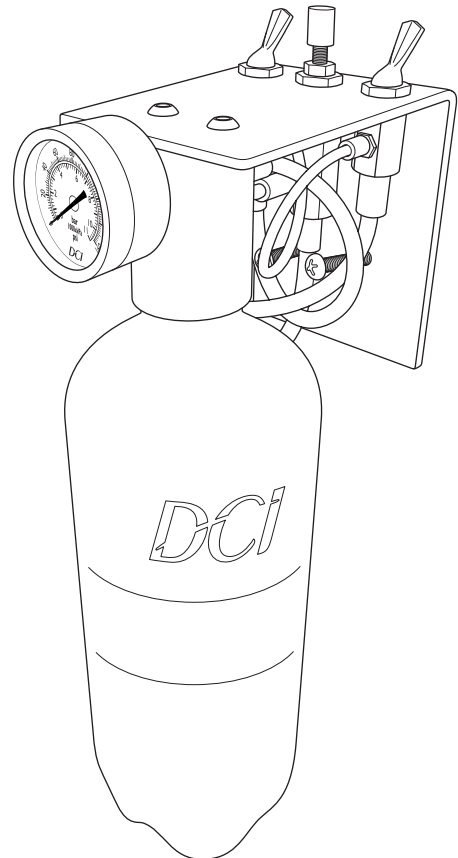
ANCILLARY DEVICES

ATTACH FOOT CONTROL

- 1** Place the foot control on the floor in front of the cabinet and route the foot control tubing through the hole in the base of the cabinet.
- 2** Route the foot control tubing to the utility center at the left or right side of the cabinet and make connections to the utility.

ATTACHING THE WATER SYSTEM

- 1** Using the screws provided, mount the water system bracket to the interior wall of the center module of the cabinet.
- 2** Connect the tubings of the water system to the umbilical.
- 3** Attach the 1 liter water bottle to the water system assembly.



FLOOR UTILITIES

LOCATE UTILITIES

Locate utilities in the lower section of the cabinet near the stub-ups for air and water and in an area where they can be serviced easily. Make connections to the utilities from your air and water supply following the below requirements.

AIR

Pipe: 1/2" N.P.T. Protruding 1" from the floor.

Supplied by contractor.

Air supply: Pressure 80-100psi. Air should be free from contaminants.

WATER

Pipe: 1/2" N.P.T. Protruding 1" from the floor.

Supplied by contractor.

Water supply: Pressure 40-80psi. Water should be flushed clean before connecting to this equipment.

ELECTRICAL

Pipe: 1/2" conduit with dual receptacle box or greater. Supplied by contractor. Wire box according to code. Top of box should be no higher than shown.

Supply: 115V AC 3-wire, 8 AMP or 230V AC 3-wire, 4 AMP

CENTRAL VACUUM

Pipe: Supplied by contractor. Terminated with 5/8" OD tube protruding 1" from the finished floor.

GRAVITY DRAIN

Pipe: 5/8" OD tube protruding 1" from the floor. Place trap in-line and use vented fitting to conform to local codes. Supplied by contractor.

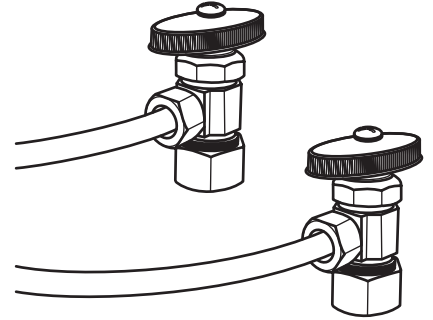
MAKE CONNECTIONS AND ADJUSTMENTS

CONNECT UTILITIES

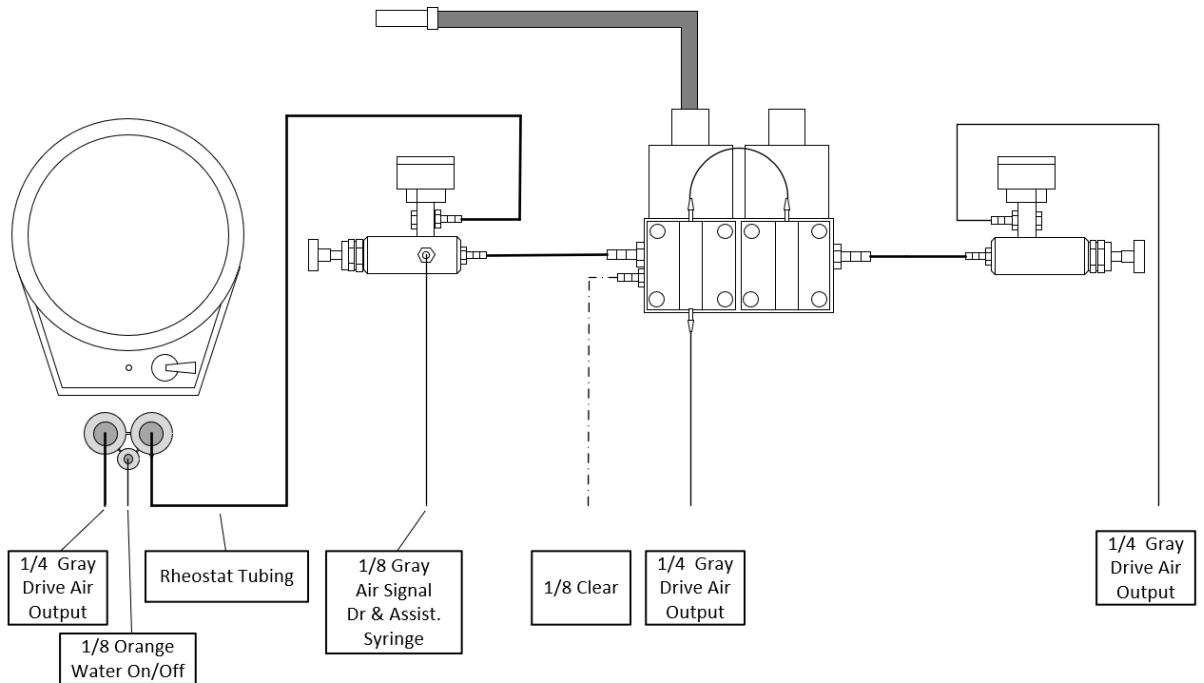
- 1** Connect the shut-offs to the compressed air and water supply valves.

NOTE 1: The Yellow side is for air.

NOTE 2: The air and water lines must be flushed prior to connection to the shut-offs.



- 2** Connect the umbilical tubings to the appropriate connection points, including foot control rheostat, with supplied inlines and sleeves.



MAKE ADJUSTMENTS

See the ADJUSTMENTS section near the end of the **Instructions For Use** Manual for the **Series 4 12 O'Clock Delivery System** to complete the installation. Be sure to check and make any needed adjustments to items in that section.

