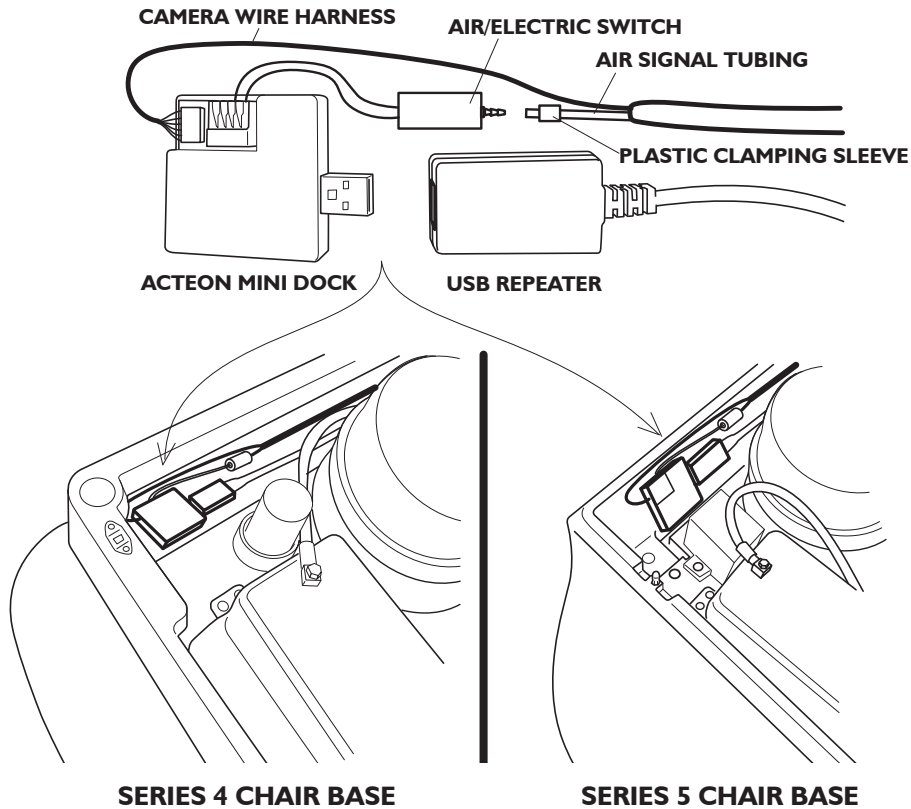


To install the Mini Dock:

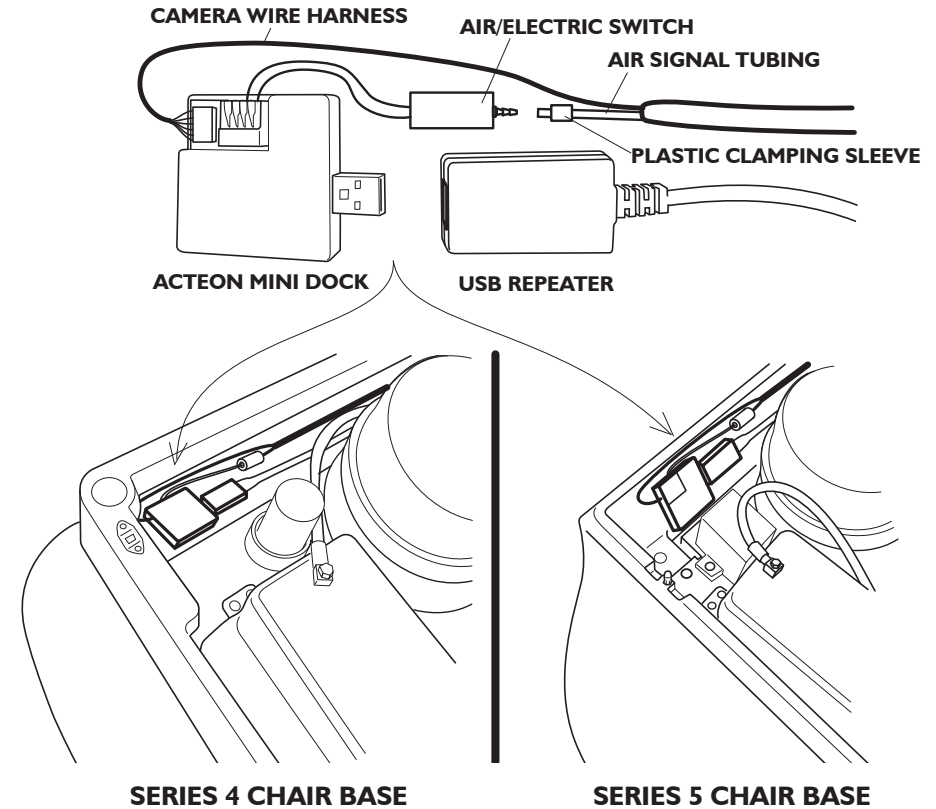
1. Route the camera wire harness through the truss of the chair and up to the front area near the pump.
2. Connect the air signal tubing to the barb on the air/electric switch using the included plastic clamping sleeve.
3. Connect the camera cable to the Mini Dock.
4. Connect the USB Repeater to the MiniDock.
5. Locate the area at the front of the chair base as shown in the illustration below.



6. Peel off the backing from the adhesive-backed Dual Lock on the back of the Mini Dock and apply as shown.
7. Route the USB communication cable through the J-box and under the floor to your computer or laptop.

To install the Mini Dock:

1. Route the camera wire harness through the truss of the chair and up to the front area near the pump.
2. Connect the air signal tubing to the barb on the air/electric switch using the included plastic clamping sleeve.
3. Connect the camera cable to the Mini Dock.
4. Connect the USB Repeater to the MiniDock.
5. Locate the area at the front of the chair base as shown in the illustration below.



6. Peel off the backing from the adhesive-backed Dual Lock on the back of the Mini Dock and apply as shown.
7. Route the USB communication cable through the J-box and under the floor to your computer or laptop.