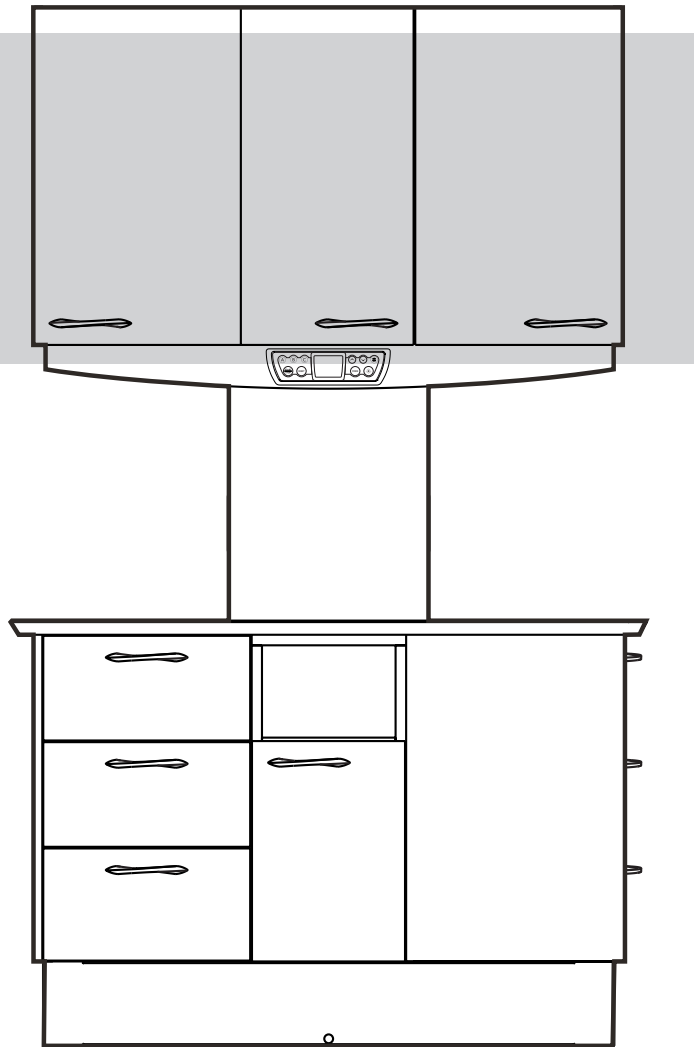
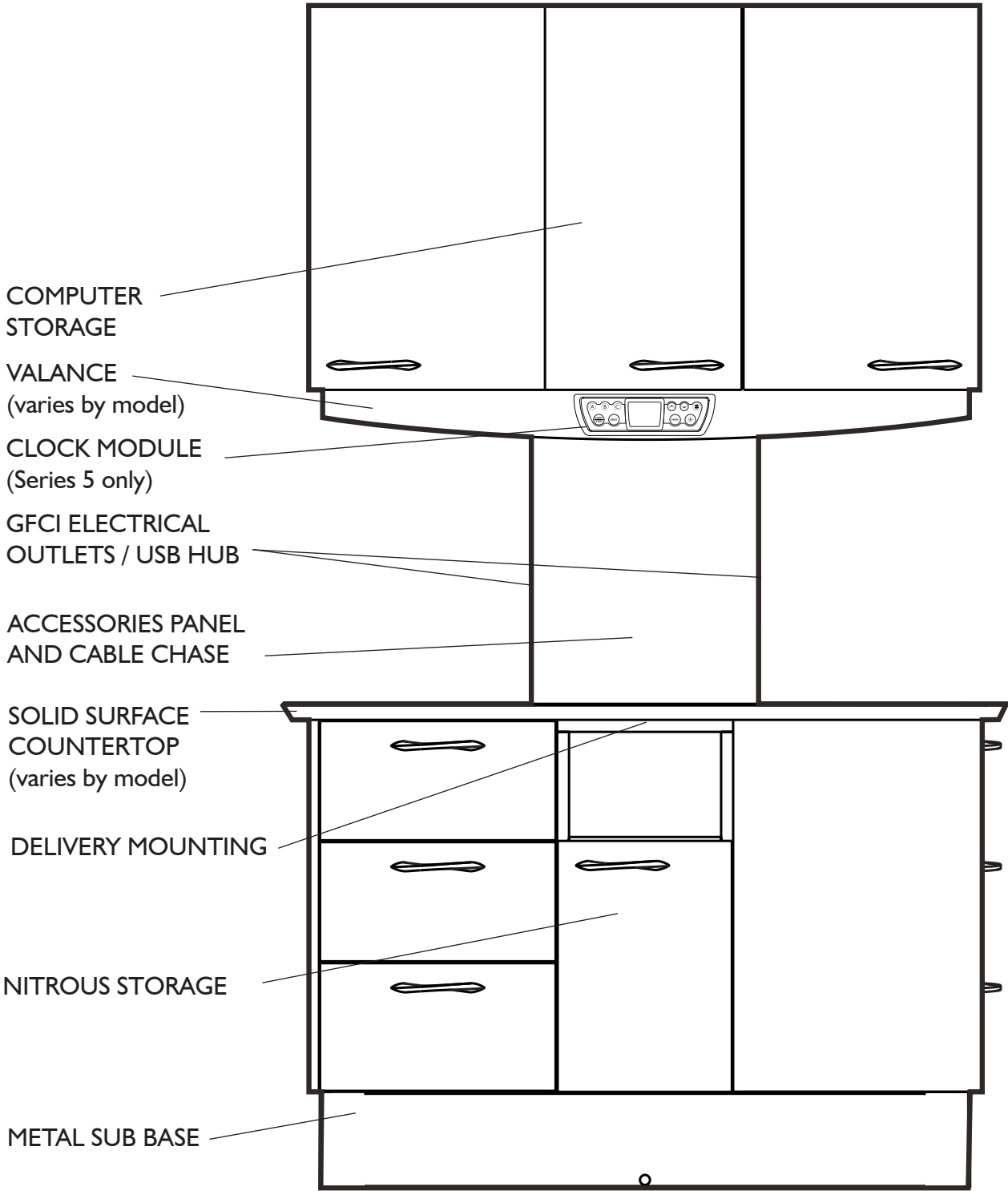


**SERIES 4 & SERIES 5
12 O'CLOCK CABINET**
Installation Instructions



OVERVIEW



INTRODUCTION

BEFORE YOU BEGIN

Study the overview and dimensional specifications. Make sure the planned location will have the necessary space available for installation, including room for all of the operatory equipment.

Locate all documentation supplied with the package. Manuals and installation sheets may be found in one or more boxes accompanying their respective components. Set aside the Instructions For Use for the end user to review.

TABLE OF CONTENTS

Overview	2
Introduction	3
Dimensional Specifications	4
Site Preparation	5
Installation	6
Door and Drawer Alignments	9
Electrical Outlets	10

SYMBOLS USED IN THIS MANUAL

The following symbols may be used throughout this product manual:



WARNING: Failure to carefully follow the described procedure may result in damage to the equipment or the operator.



CAUTION: Failure to carefully follow the described procedure may result in damage to the equipment.



NOTE: Take note of additional important information. Not a warning or caution.



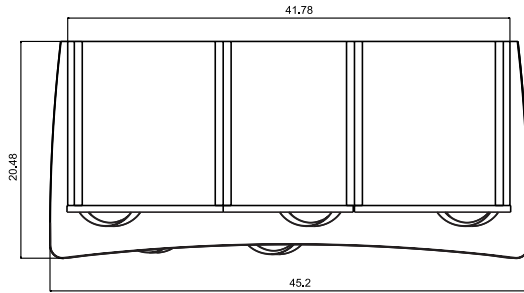
ELECTRICAL HAZARD: Risk of electrical shock present. Ensure that power is disconnected before attempting procedure.

REGULATORY INFORMATION

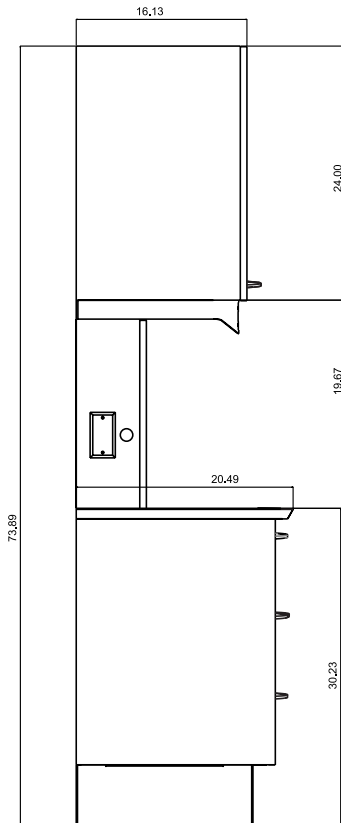
Regulatory information is delivered with DCI Edge dental equipment as mandated by agency requirements and can be found in the accompanying Instructions For Use for this device.

DIMENSIONAL SPECIFICATIONS - SERIES 5

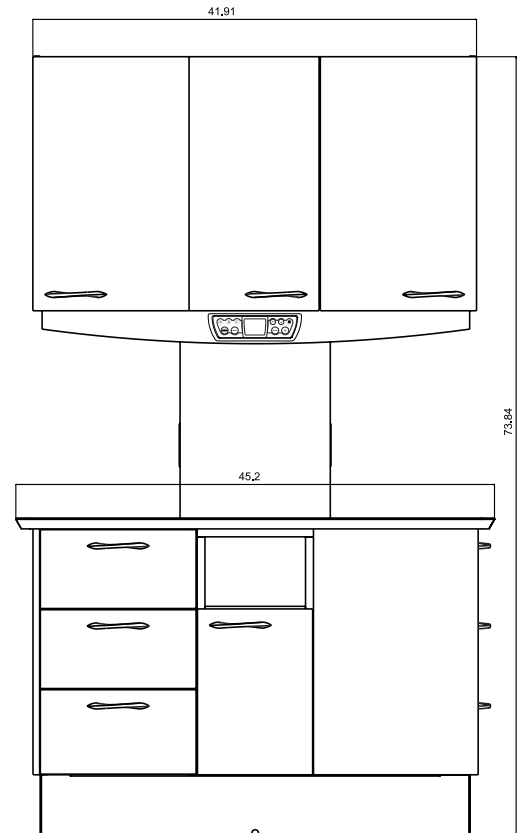
TOP VIEW



SIDE VIEW



FRONT VIEW



SITE PREPARATION

FIRST STEPS

- 1 Lay the installation template over plumbing stub-ups and check the position in the operatory.
- 2 Install air and water shut-off valves (not supplied).
- 3 Install 4 x 4 electrical connection box.
- 4 Mark the cabinet mounting points according to the template.

AIR

Pipe: 1/2" n.p.t. Protruding 1" from the floor. Supplied by contractor.
Air supply: pressure 80-100 psi. Air should be free from contaminants.

WATER

Pipe: 1/2" n.p.t. Protruding 1" from the floor. Supplied by contractor.
Water supply: pressure 40-80 psi. Water should be flushed clean before connecting to this equipment.

ELECTRICAL

Electrical: 4 x 4 x 2-1/4" Connection Box with 1/2" conduit knockouts.
Wire box as per local code with top of the box no higher than 4-1/2" above finished floor.
Voltage: 115 VAC, 3 wire, 15 or 20 amp with ground fault circuit interrupter (Series 5 cabinet only).



WARNING: Ensure the cabinet is properly grounded to protective earth.



WARNING: 3rd party x-ray systems must be connected to a dedicated electrical circuit.



CAUTION: Electrical utilities must be installed according to local codes and by a licensed electrician.

See "Electrical Outlets" Page 11

CENTRAL VACUUM

Pipe: supplied by contractor. Terminated with 5/8 OD tube protruding 1" from the finished floor.

GRAVITY DRAIN

Pipe: 5/8" OD tube protruding 1" from the floor. Place trap in-line and use vented fitting to conform to local codes.
Supplied by contractor.

INSTALLATION

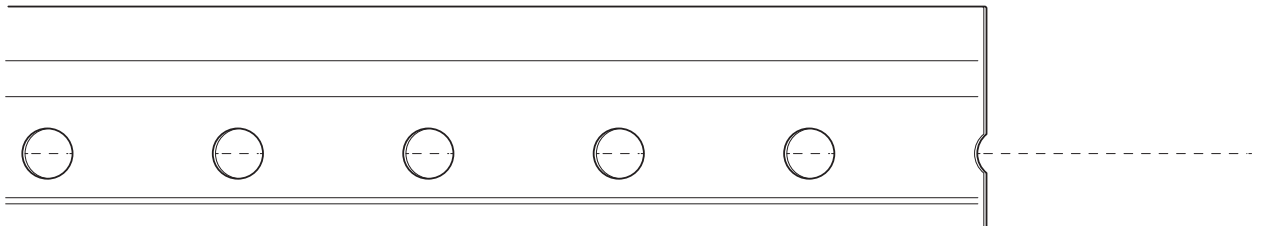
PREPARATIONS

- 1 Remove cabinet modules from their packaging.
- 2 Identify the hardware kits and provided literature.

WALL HANGING RAIL

For cabinets which include a **Support Wall**, skip to the next page.

- 1 Identify the location of the wall studs in the wall to which the cabinet will be mounted and make a mark 71-1/2" from the floor at the center of each stud.
- 2 Identify the vertical centerline of the cabinet position on the wall, and make a mark on the centerline which is 71-1/2" from the floor. Draw a level, horizontal line at the height of your centerline mark.
- 3 Locate the 40" hanging rail and place it against the wall with the hole centers of rail aligned with the horizontal line.
- 4 Find the midpoint on the hanging rail and align it with your centerline mark. Identify the holes in the hanging rail which align to the marks you made for your studs. Keep the rail midpoint as close to the centerline mark as possible.
- 5 Mount the rail to the wall using the lag screws provided. Use toggle bolts between studs to maximize strength as necessary.



WARNING: Always lift cabinets by the bottom edge, being careful to lift with your legs and not your back. Do not lift from the underside of the counter.

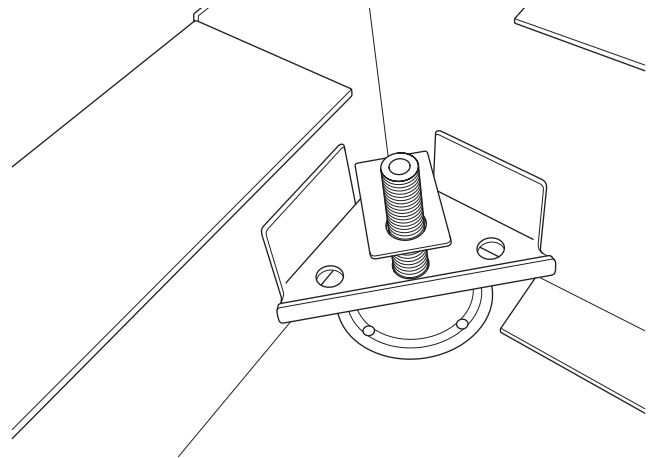
INSTALLATION

SUPPORT WALL & LOWER CABINET

For cabinets with a Support Wall

- 1** Position the Support Wall in its final location in the installation area and align the back face of the Lower Cabinet to it. Be sure the Lower Cabinet is centered against the Support Wall.
- 2** With a helper, use the 1/2" holes in the metal base frame to mount the Support Wall to the floor. Secure using 1/2" lag bolts (or 1/2" anchors for concrete).

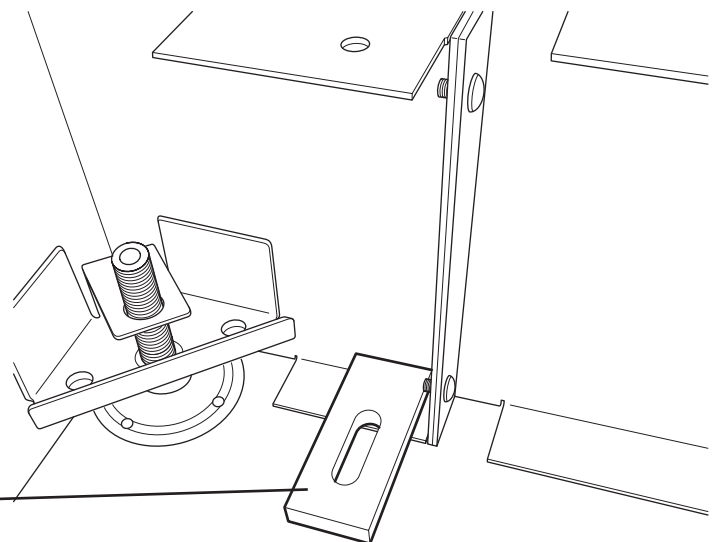
- 3** Level the cabinet with the 4 levelers included. Note that there are access holes inside the cabinets to use the 5mm Hex tool provided.



- 4** Attach the Lower Cabinet to the Support Wall using the wood screws provided.

- 5** Use the provided floor mount brackets and 3/8" lag bolts (or 3/8" anchors for concrete). Insert the lag bolt or anchor through the slot in the bracket and drive the lag bolt into the floor to secure the metal base to the floor.

Position the bracket inside of the base and overlapping the bottom flange.



INSTALLATION

INSTALLING THE CHASE

- 1** Remove the front panel from the Chase.
- 2** Center the Chase on the counter of the Lower Module.
- 3** If mounting to a wall, drill and screw the back of the chase to the wall studs using the screws provided. Use toggle bolts if no studs align with the chase.

If mounting to a Support Wall, drill and attach the Chase directly to the Support Wall using the wood screws provided.

INSTALLING THE UPPER CABINET

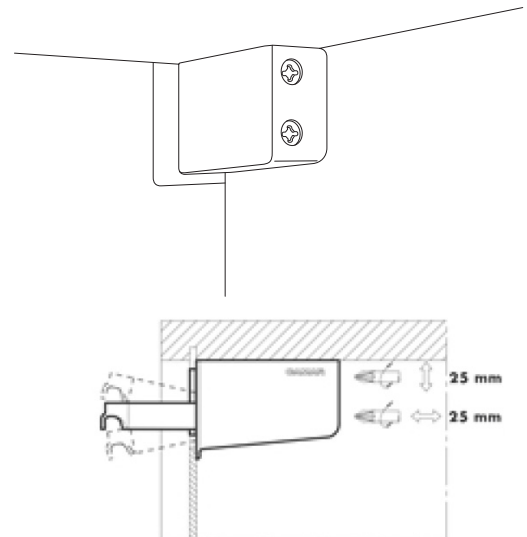
- 1** Remove the doors and shelves from the upper module to make it easier to lift.
- 2** With a helper, hang the Upper Module on the hanging rail located on the wall (see page 6) or on the Support Wall.
- 3** Ensure that all brackets are engaged on the rail.
- 4** Adjust the attachment at the rail as follows using a Pozidrive #2 screwdriver:

Level the Upper Cabinet using the brackets which are located in the upper corners of the Upper Cabinet.

Make small adjustments to each bracket so as to ensure that they stay mounted on the rail.

The top screw of the bracket will raise or lower the Upper Cabinet on each corner. Turning the screw clockwise raises the cabinet. Counterclockwise lowers it.

Once leveling is complete, use the lower screw of the bracket to draw the Upper Cabinet to the wall.

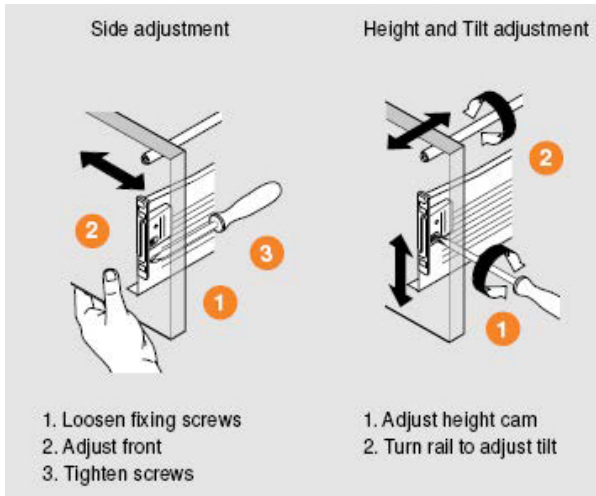


NOTE: ALWAYS use a #2 Pozidrive screwdriver when making adjustments to the hanging brackets which are located in the upper corners of the Upper Cabinet.

DOOR AND DRAWER ALIGNMENTS

ALIGN DRAWERS

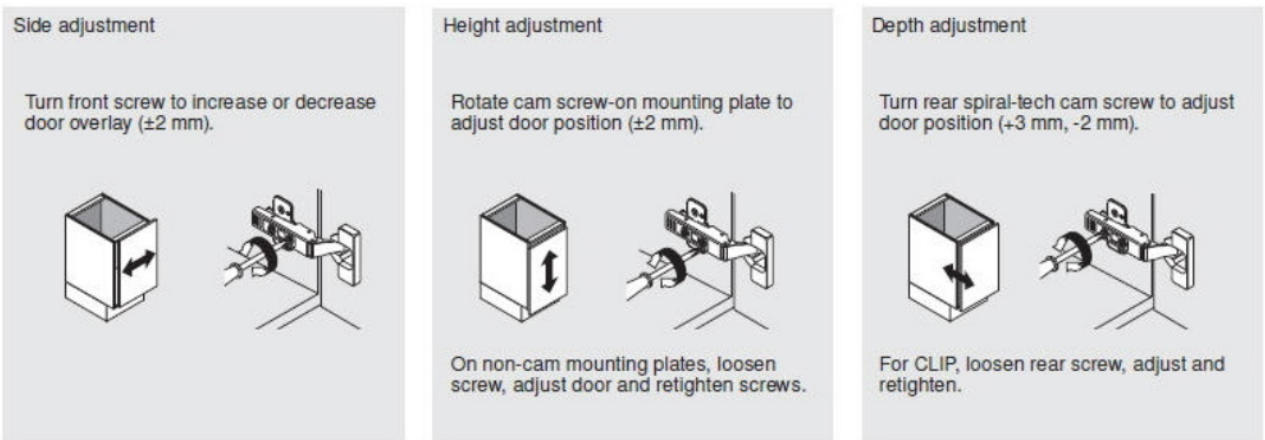
- 1 Align drawer faces and seams by adjusting the drawer face attachment.



ALIGN DOORS

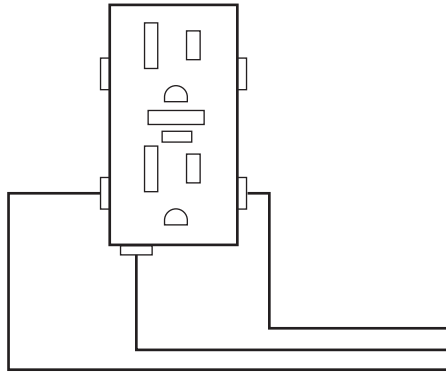
- 2 Align door faces and seams by adjusting the hinges.

Three-dimensional adjustment



ELECTRICAL OUTLETS (SERIES 5 ONLY)

DIAGRAM




BLACK WIRE - CONNECT TO NEGATIVE CONTACTS
GREEN WIRE - CONNECT TO MAINS GROUND
WHITE WIRE - CONNECT TO POSITIVE CONTACTS

GROUNDING INSTRUCTIONS

This product must be connected to a grounded metal, permanent wiring system, or an equipment-grounding conductor must be run with the circuit conductors and connected to the equipment-grounding terminal or lead on the product.



PN 67017, Rev. A, 2018-09-14

DCI International, LLC
305 N. Springbrook Road
 Newberg, OR 97132, USA