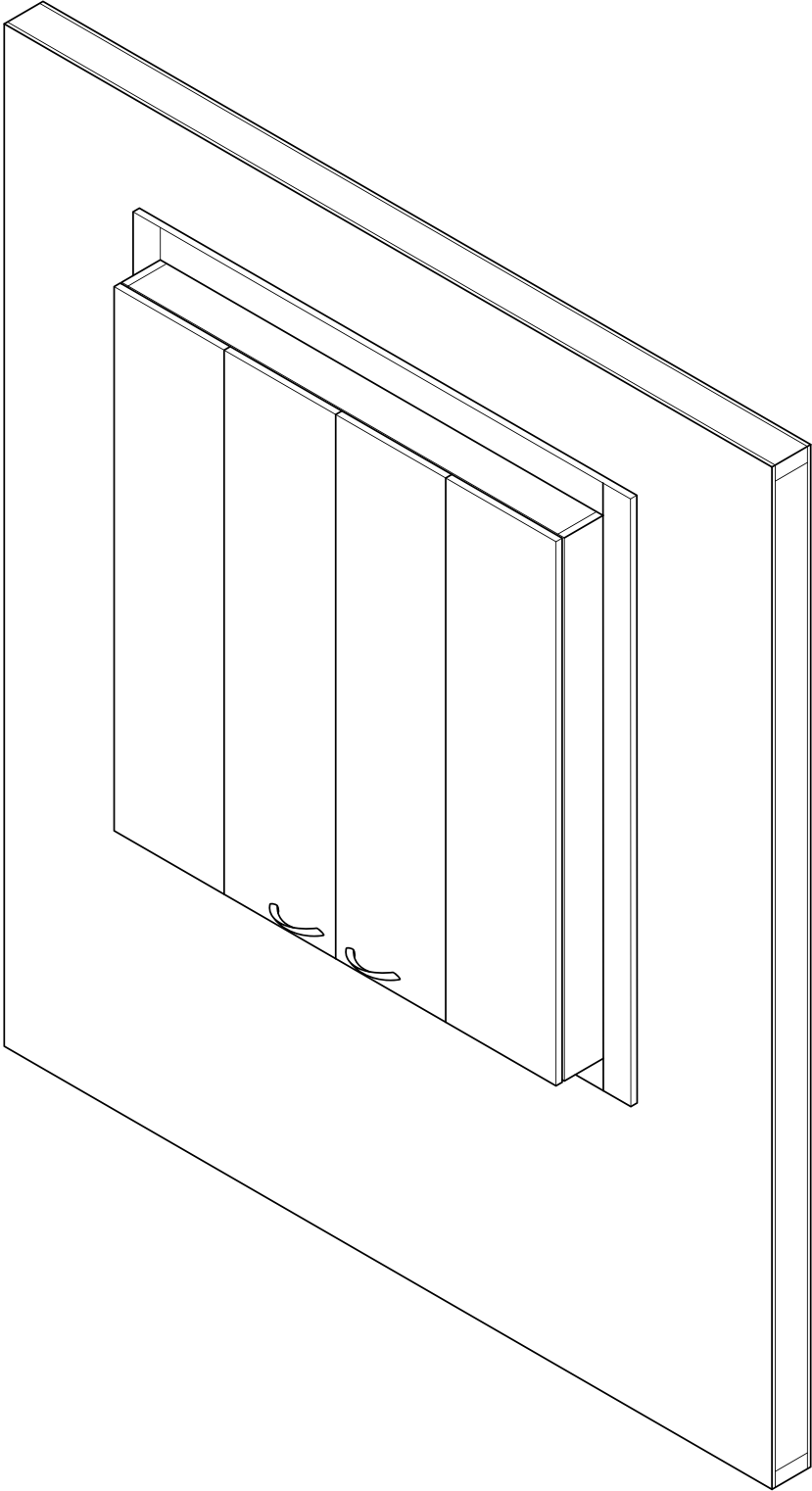
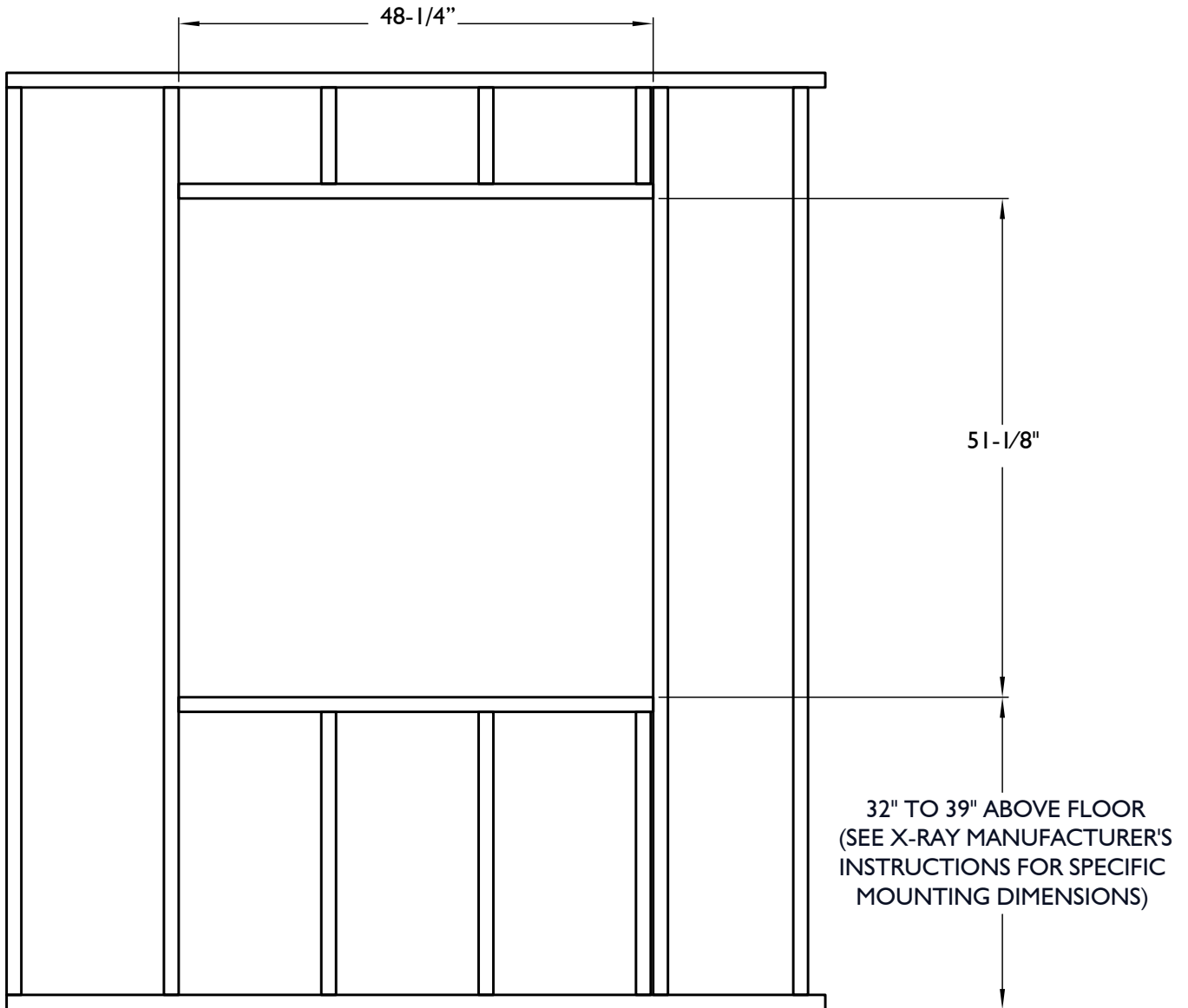


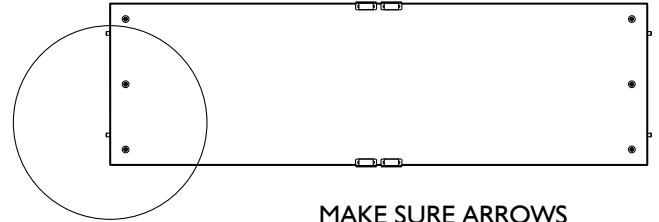
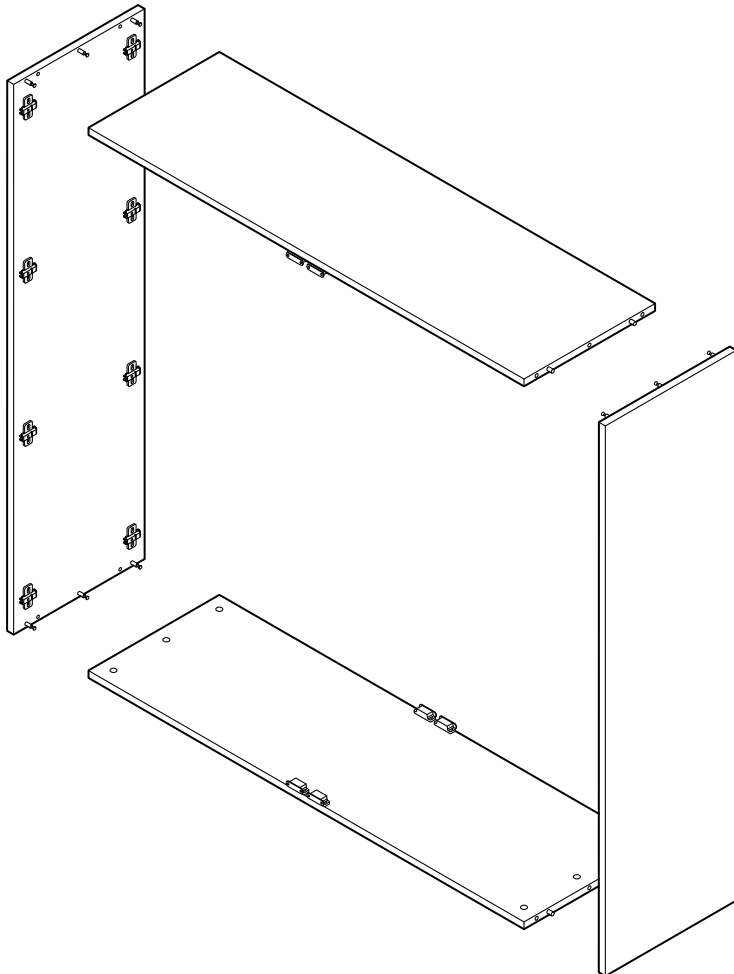
X-RAY PASS THROUGH

Installation and Instructions

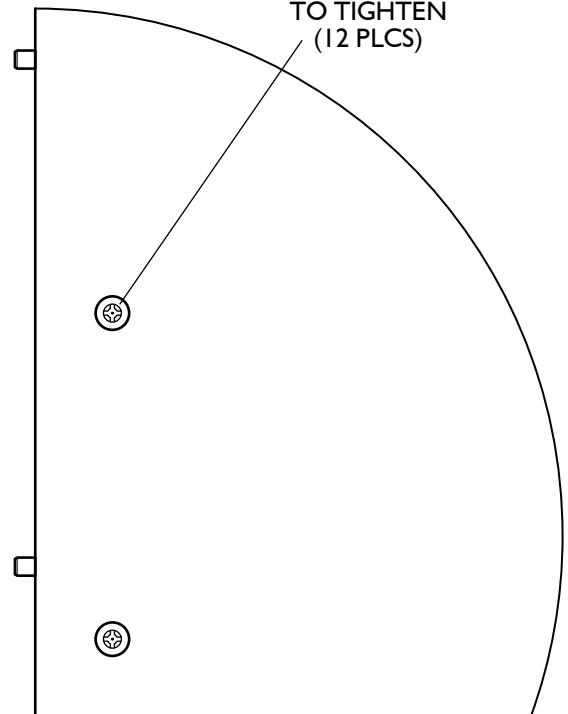




**ROUGH WALL CUTOUT DIMENSIONS
ACTUAL CABINET - 48" X 51"**



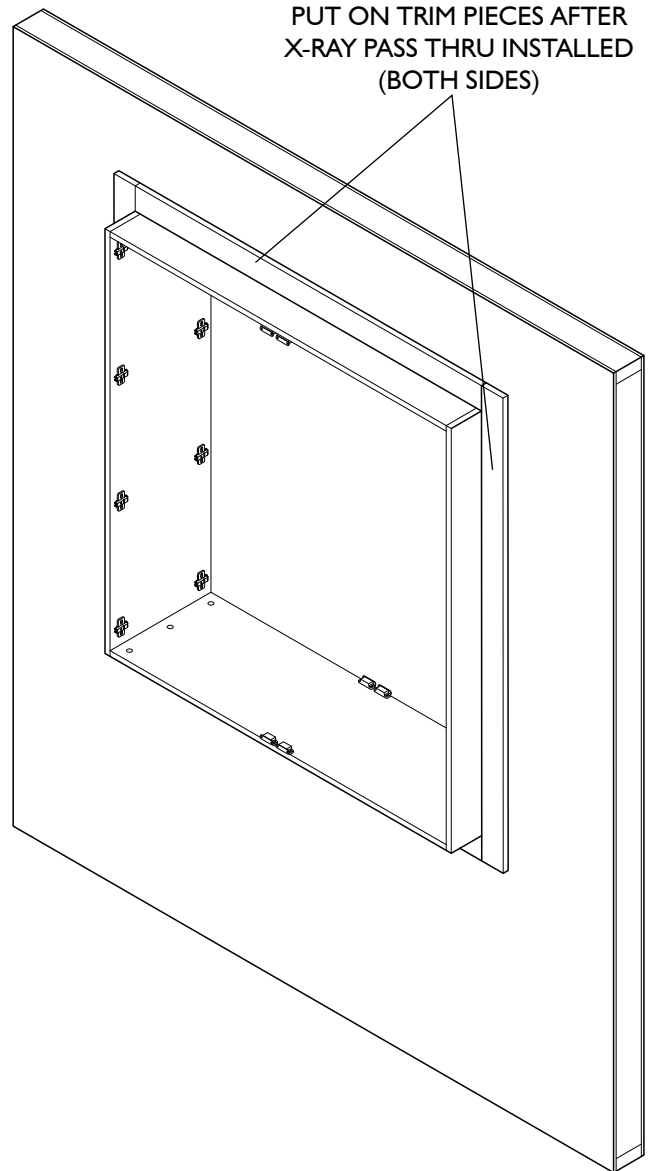
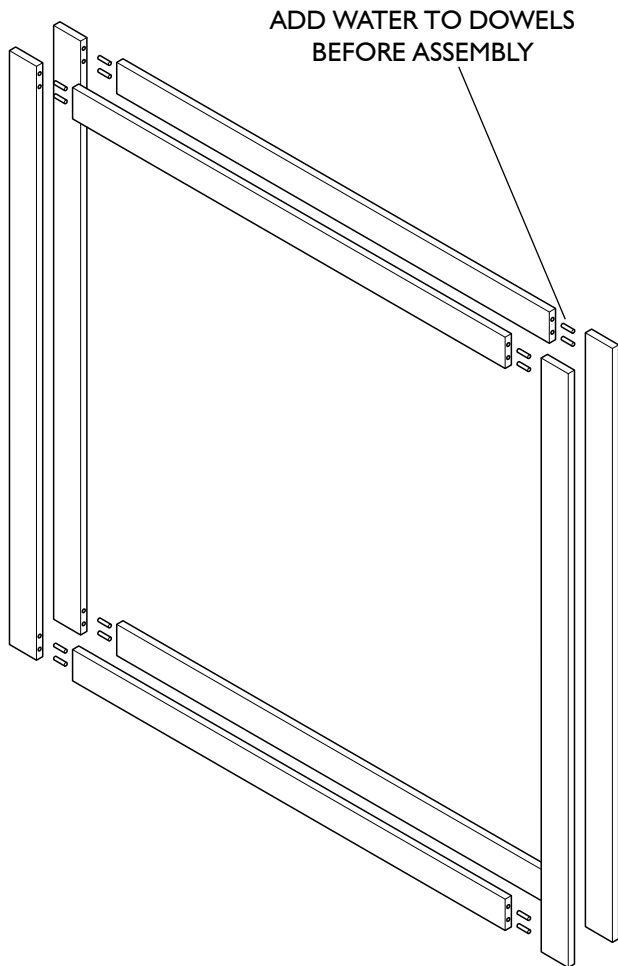
MAKE SURE ARROWS
ARE FACING OUT TO
ACCEPT CONNECTORS.
THEN USE SCREWDRIVER
TO TURN CAMS
CLOCKWISE
TO TIGHTEN
(12 PLCS)



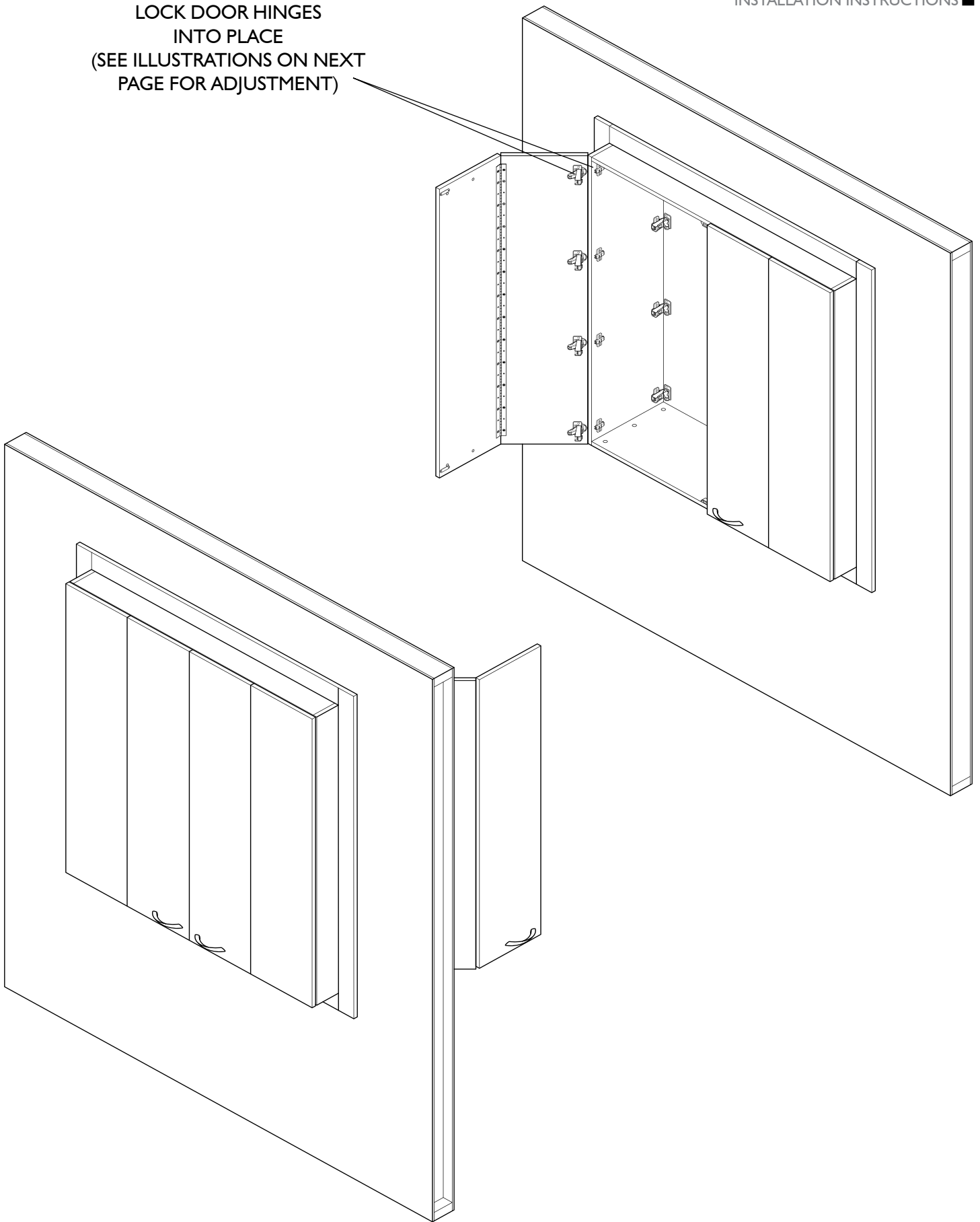
X-RAY PASS THROUGH
INSTALLATION INSTRUCTIONS

NOTES:

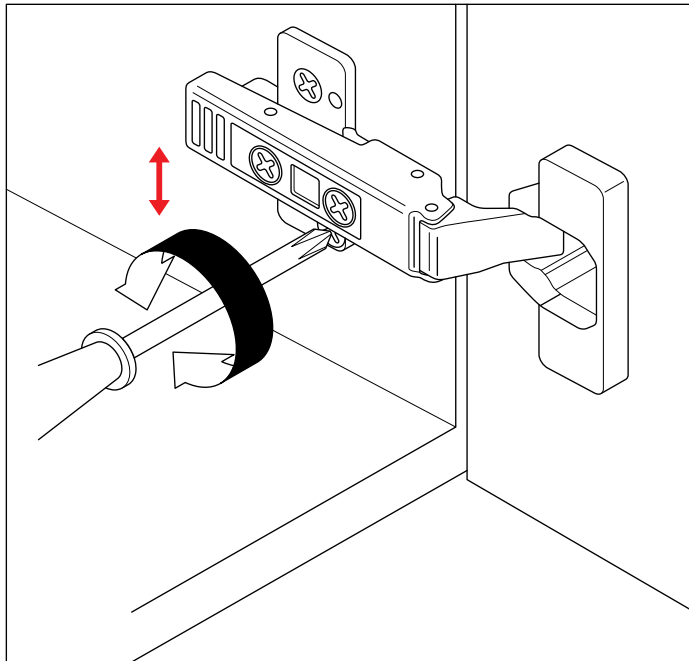
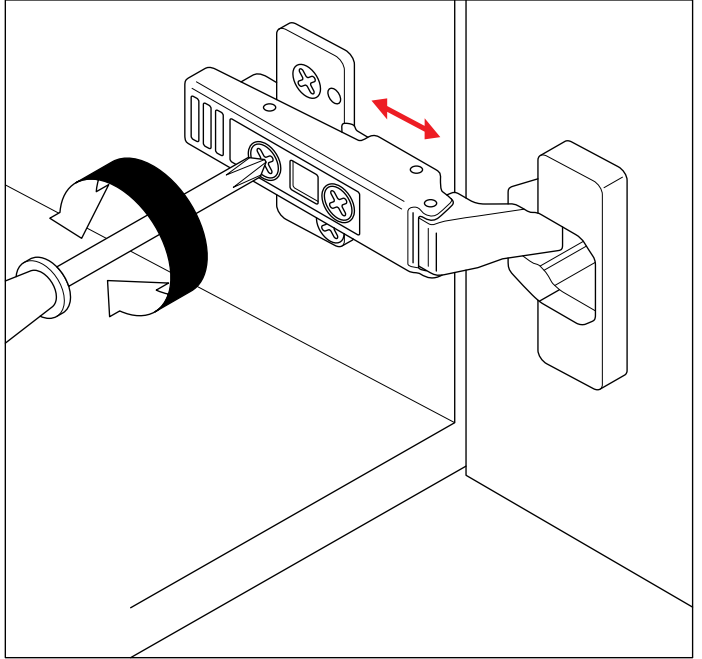
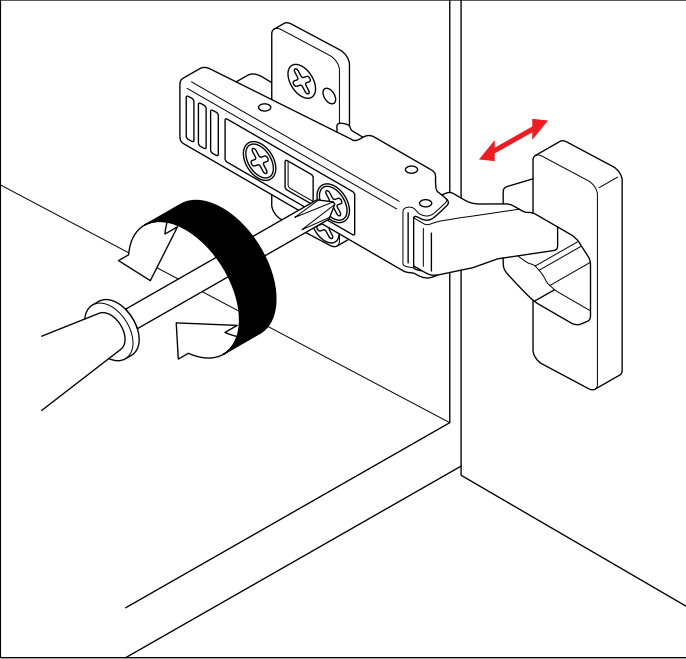
- LOCATE CABINET INSIDE OF WALL CUTOUT
- SCREW/BOLT CABINET TO WALL
- MAKE SURE IT IS CENTERED AND LEVELED
- ADD THE TRIM (SEE ILLUSTRATIONS)
- USE CAULKING TO SECURE TRIM

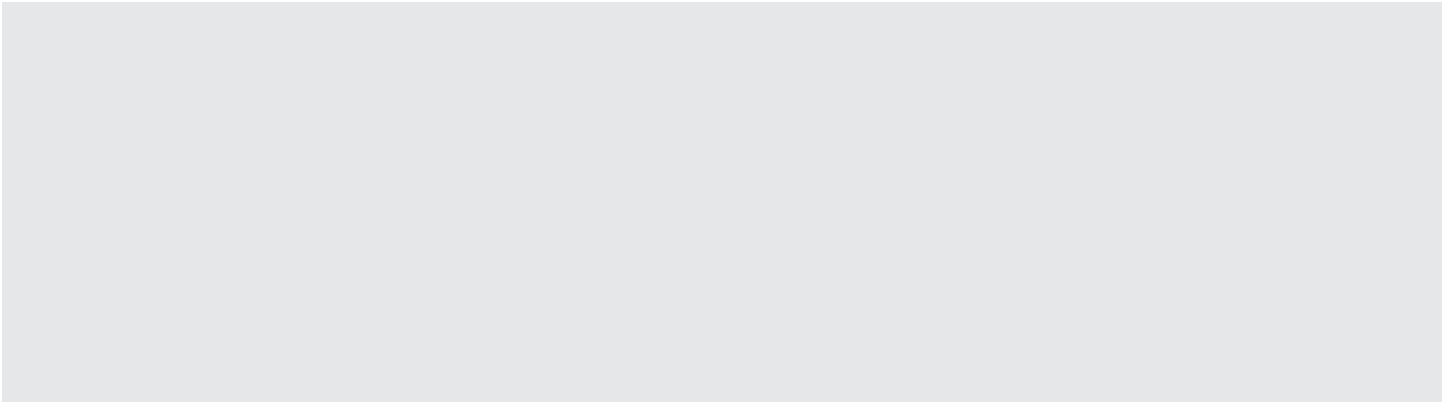


LOCK DOOR HINGES
INTO PLACE
(SEE ILLUSTRATIONS ON NEXT
PAGE FOR ADJUSTMENT)



X-RAY PASS THROUGH
INSTALLATION INSTRUCTIONS





PN 67059, Rev. A, 2020-09-09



DCI International, LLC
305 N. Springbrook Road
Newberg, OR 97132, USA