

DCI



◀ IMPROVE &
MAINTAIN THE
DENTAL OFFICE

VOLUME 8
PARTS
PRODUCT CATALOG

ORDER 24 HOURS / DAY

www.dcionline.comcustomerservice@dcionline.com

503-538-9302

Or place orders from
5:00 A.M. to 5:00 P.M. (PST):

Phone: 800-624-2793

Fax: 503-538-9302

Email: customerservice@dcionline.com

**For specials or custom configuration of standard product, please call or email for price quote.*

DCI OFFERS LOWER SHIPPING COSTS!

Orders received by 4 P.M. (PST) are shipped the same day. Most orders are shipped via UPS 3-day delivery. You pay only the UPS Ground rate and DCI pays the difference! Delivery Systems are shipped via UPS Ground or via Freight.

Terms

Net 30 days on approved accounts; Visa, Mastercard or American Express can be used until credit is approved.

NSK + DCI

STRONGER TOGETHER

Our two brands have over 135 years of combined manufacturing experience and a reputation for reliability, craftsmanship, and service. We have a shared dedication to producing long-lasting, feature-rich products for our customers.



●	DCI RELIANCE OPERATORY EQUIPMENT	1-60
●	OPERATORY ACCESSORIES	61-68
●	HANDPIECE ACCESSORIES & POWER OPTICS	69-82
●	SYRINGES	83-96
●	VACUUM COMPONENTS	97-116
●	MOUNTS, ARMS & HOLDERS	117-134
●	FOOT CONTROLS	135-144
●	REGULATORS, FILTERS & VALVES	145-172
●	FITTINGS	173-192
●	TUBING	193-200
●	SERVICE, CABINET & ANALGESIA	201-226
●	DELIVERY SYSTEM PARTS	227-258
●	LIGHT PARTS & BULBS	259-276
●	CHAIR PARTS	277-288
●	COMPRESSOR & VACUUM PARTS	289-308
●	STERILIZER PARTS	309-324
●	SCALER PARTS	325-332
●	INDEX	333-345
●	CROSS-REFERENCE	346-360

DCI's Customer & Technical Service Team is committed to providing the best service and solving your challenges quickly. Serving customer needs always comes first. From ensuring on-time delivery to answering product-related questions, we are here to support you.

HOW TO CONTACT US



1-800-624-2793
INTL: 503-538-1735



customerservice@dcionline.com
techsupport@dcionline.com
international@dcionline.com



503-376-8440

TECHNICAL SERVICE TEAM



William Boardman
Technical Services Manager
Years in Dental: 28



Jeff Hudson
Years in Dental: 37



Garrett Stevenson
Years in Dental: 28



Walter Beard
Years in Dental: 24



Anthony Sermino
Years in Dental: 14



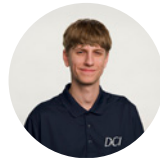
Esmeralda Tinoco
Years in Dental: 9



Gary Ramos
Years in Dental: 5



Laura Robbins
Years in Dental: 3



Jacob Jeter
Years in Dental: 1



CUSTOMER SERVICE TEAM



Jen Boardman

Customer Service Manager
Years in Dental: 24



Jennifer Hallmark

Customer Service Supervisor
Years in Dental: 25



Jeff Porth

Customer Service Supervisor
Years in Dental: 7



Patricia Basye

Customer Service Supervisor
Years in Dental: 3



Emily Torgerson

Years in Dental: 34



Crystal Schultz

Years in Dental: 19



June Smith

Years in Dental: 19



Monica Salas

Years in Dental: 14



Kimi Williams

Years in Dental: 11



Rosa Gonzalez

Years in Dental: 9



Jess Hodges

Years in Dental: 8



Alison Webber

Years in Dental: 7



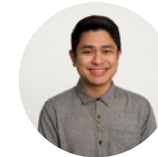
Lori Beelart

Years in Dental: 6



Haily Windell

Years in Dental: 4



Harvey Manuel

Years in Dental: 4



Jason Mitchell

Years in Dental: 4



Kevin Carlson

Years in Dental: 4



Kris Tripp

Years in Dental: 4



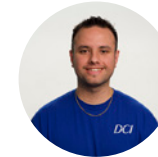
April Ferris

Years in Dental: 3



Ashley Long

Years in Dental: 3



Ben Vega

Years in Dental: 3



Katie Tucker

Years in Dental: 3



Brittney Revette

Years in Dental: 2



Cerene Adrienne

Years in Dental: 2



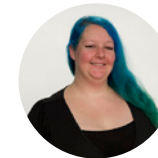
Angela Laird

Years in Dental: 1



Izaac Gordon

Years in Dental: 1



Jacki Bailes

Years in Dental: 1





Retail pricing
available at
dciparts.com

Reliance Operator Equipment



Chair-Mounted
Delivery Systems

2-9

Post Mount Light

10-11

Stools & Carts

12-21

Side Delivery

22-23

Arm & Cabinet Mounted
Delivery Systems

24-41

Compact
Delivery Units

42-45

Panel & Horizontal
Mounted Units

46-49

OEM Replacements

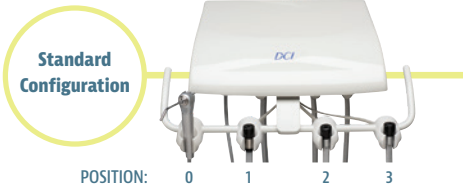
50-52

Auxiliary QD Panel
& Lab Kit

53

Dimensional Drawings
& Illustrated Parts
Breakdown

54-59



Configuration shown	
RS4000	Reliance Swing Mount Pole w/ Auto Dental Unit & Light Pole
RP4000	Reliance Post Mount LED Light
R4768	Reliance Light Post Assembly, 24", White
Step 5	Chair Mount Adapter

- Upfit your delivery system with the ability to accommodate left and right-handed dentistry.

✓ - Standard Features ☐ - Choose Your Option

		Part Number
Step 1 Select Your Delivery System & Color		
Reliance Swing Mount Pole w/Auto Dental Unit & Accessory Pole Complete Steps 1 thru 5	<input type="checkbox"/> RS4000	White
	<input type="checkbox"/> RS4050	Gray
Reliance Swing Mount Pole w/Auto Dental Unit Complete Steps 1, 2, 3, 5	<input type="checkbox"/> RS4001	White
	<input type="checkbox"/> RS4051	Gray
Reliance Swing Mount Accessory Pole Only Complete Steps 1, 4, 5	<input type="checkbox"/> RS4002	White
	<input type="checkbox"/> RS4052	Gray

Step 2 Configure Your Control Head Options

	<i>(All tubings are Sterling. If nothing is selected - highlighted positions will be used)</i>	Part Number	Handpiece Positions				
			0	1	2	3	4
<input checked="" type="checkbox"/>	DCI Precision Comfort Syringe and tubing						
<input checked="" type="checkbox"/>	HP Tubing 4 Hole Asepsis						
<input type="checkbox"/>	ISO-C 6-Pin Deluxe 3 HP Illumination System (Includes a 9483 tubing)	9885					
<input type="checkbox"/>	ISO 5-Hole Deluxe 3 HP Illumination System (Includes a 9978 tubing)	9889					
<input type="checkbox"/>	ISO-C 6-Pin Standard 2 HP Illumination System (Includes a 9483 tubing)	9905					
<input type="checkbox"/>	ISO 5-Hole Standard 2 HP Illumination System (Includes a 9978 tubing)	9900					
<input type="checkbox"/>	ISO-C 6-Pin Economy HP Illumination System (Includes a 9483 tubing)	9876					
<input type="checkbox"/>	ISO 5-Hole Economy HP Illumination System (Includes a 9978 tubing)	9881					
<input type="checkbox"/>	Additional ISO-C 6-Pin Tubing Option for Illumination Systems	9483					
<input type="checkbox"/>	Additional ISO 5-Hole Tubing Option for Illumination Systems	9978					
<input type="checkbox"/>	Delete HP Position 3	4344					
<input type="checkbox"/>	Add HP Position (Position 4) Includes Block, Water Valve, Holder & HP Tubing	4467 White/ 4468 Gray					
<input checked="" type="checkbox"/>	Stainless Steel Tray and Non-Skid Pad						
<input checked="" type="checkbox"/>	Wet/Dry Foot Control						
<input checked="" type="checkbox"/>	Handpiece Flush						
<input type="checkbox"/>	Add scaler / chip air button to foot control	4346					

Step 3 Configure Your Utilities Options

	Part Number
Step 3A Configure Your Water System	
<input checked="" type="checkbox"/>	Self-Contained Water System w/ Quick Switch 1L Bottle
<input type="checkbox"/>	Delete Self Contained Water System and Bottle
	4350
Step 3B Configure Your Junction Box and Utilities	
<input checked="" type="checkbox"/>	6' Umbilical Tubing
<input type="checkbox"/>	Additional Umbilical Length Per Foot, includes sheath tubing - Qty____
	R24962A
<input checked="" type="checkbox"/>	Asepsis Utility Center and Valves
<input type="checkbox"/>	Delete Asepsis Utility Center and Valves
	4347

Step 4 Configure Your Accessory Pole

	Part Number
<input type="checkbox"/>	Reliance Post Mount LED Light (Requires Light Post R4768/R4766)
	RP4000 White / RP4050 Gray
<input type="checkbox"/>	Reliance Light Post Assembly, 24", w/ Adapter
	R4768 White / R4766 Gray
<input type="checkbox"/>	Telescoping Assistant's Arm, 4 Position, (Requires 5380 & 8489/8249)
	5377 White / 5376 Gray
<input type="checkbox"/>	Precision Comfort Assistant's Package, HVE, SE, SYR
	5380
<input type="checkbox"/>	Additional Extended Vacuum Valve and Tubing
	R52892G
<input type="checkbox"/>	Post Top Mount, 2"
	8489 White / 8294 Gray
<input type="checkbox"/>	Flat Panel Monitor Top Mount (In place of light)
	4924 White / 4824 Gray

Step 5 Select Your Chair Mount Adapter (Required)

	Part Number
<input type="checkbox"/>	To Fit A-dec® Cascade® 1040
	R4489
<input type="checkbox"/>	To Fit A-dec® Priority 1005 & 1010
	R4498
<input type="checkbox"/>	To Fit A-dec® Decade® 1020, 1021 & 1015
	R9246
<input type="checkbox"/>	To Fit Belmont Bel 20/50/Celebrity
	R4492
<input type="checkbox"/>	To Fit Belmont AcuTrac
	R4501
<input type="checkbox"/>	To Fit Marus™ DC1490, DC1690, DC1700, DC1702
	R4491
<input type="checkbox"/>	To Fit Pelton 1500, 1800, 2000, 3000 , 1700
	R4491
<input type="checkbox"/>	To Fit DCI Equipment 1235
	R4491

• Call Customer Service for Adapters not listed

A-dec®, Cascade®, Decade® and A-dec 500® are registered trademarks of A-dec, Inc. DCI has no affiliation with A-dec and A-dec has not authorized DCI replacement parts to be used on or in connection with A-dec® products.



Configuration shown	
RO4100	Reliance Over the Patient Dental Unit with Cuspidor & PMU
RP4000	Reliance Post Mount LED Light
R4042	Reliance Light Post Assembly, 30"
R52906W	Telescoping Assistant's Arm
Step 5	Chair Mount Adapter

- Upfit your delivery system without the expense of a new chair.
- The Reliance Delivery System is designed to mount to most dental chairs.

✓ - Standard Features □ - Choose Your Option

		Part Number
Step 1 Select Your Delivery System & Color		
Reliance Over the Patient Dental Unit with Cuspidor & PMU	<input type="checkbox"/>	RO4100 White
	<input type="checkbox"/>	RO4150 Gray
Reliance Over the Patient Automatic Dental Unit with PMU	<input type="checkbox"/>	RO4000 White
	<input type="checkbox"/>	RO4050 Gray

Step 2 Configure Your Control Head Options

(All tubings are Sterling. If nothing is selected - highlighted positions will be used)		Part Number	Handpiece Positions				
			0	1	2	3	4
<input checked="" type="checkbox"/>	DCI Precision Comfort Syringe and tubing						
<input checked="" type="checkbox"/>	HP Tubing 4 Hole Asepsis						
<input type="checkbox"/>	ISO-C 6-Pin Deluxe 3 HP Illumination System (Includes a 9483 tubing)	9885					
<input type="checkbox"/>	ISO 5-Hole Deluxe 3 HP Illumination System (Includes a 9978 tubing)	9889					
<input type="checkbox"/>	ISO-C 6-Pin Standard 2 HP Illumination System (Includes a 9483 tubing)	9905					
<input type="checkbox"/>	ISO 5-Hole Standard 2 HP Illumination System (Includes a 9978 tubing)	9900					
<input type="checkbox"/>	ISO-C 6-Pin Economy HP Illumination System (Includes a 9483 tubing)	9876					
<input type="checkbox"/>	ISO 5-Hole Economy HP Illumination System (Includes a 9978 tubing)	9881					
<input type="checkbox"/>	Additional ISO-C 6-Pin Tubing Option for Illumination Systems	9483					
<input type="checkbox"/>	Additional ISO 5-Hole Tubing Option for Illumination Systems	9978					
<input type="checkbox"/>	Delete HP Position 3	4344					
<input type="checkbox"/>	Add HP Position (Position 4) Includes Block, Water Valve, Holder & HP Tubing	4467 White/ 4468 Gray					
<input checked="" type="checkbox"/>	Stainless Steel Tray and Non-Skid Pad						
<input checked="" type="checkbox"/>	Wet/Dry Foot Control						
<input checked="" type="checkbox"/>	Handpiece Flush						
<input type="checkbox"/>	Add scaler / chip air button to foot control	4346					

Step 3 Configure Your Post Mounted Utility Center Options

		Part Number
Step 3A Assistant's Package		
<input type="checkbox"/>	Telescoping Arm w/ 4 Position Holder, 1 Syringe, 1 HVE & 1 SE	R52906W White / R52906G Gray
<input type="checkbox"/>	Additional Extended Vacuum Valve and Tubing	R52892G
<input type="checkbox"/>	Autoclavable Dry Oral Cup	5840
Step 3B Water System		
<input checked="" type="checkbox"/>	Self Contained Water System with 2 Liter Bottle	
<input type="checkbox"/>	Delete Self Contained Water System and Bottle	4350
<input checked="" type="checkbox"/>	Air QD and Water QD with flow control	
Step 3C Junction Box and Utilities		
<input checked="" type="checkbox"/>	6' Umbilical Tubing	
<input type="checkbox"/>	Additional Umbilical Length Per Foot, includes sheath tubing - Qty.____	R24875A
<input checked="" type="checkbox"/>	Asepsis Utility Center and Valves	
<input type="checkbox"/>	Delete Asepsis Utility Center and Valves	4347

Step 4 Configure Your Light

		Part Number
<input type="checkbox"/>	No Light On Unit (Standard)	
<input type="checkbox"/>	Post Mount Reliance LED Light (Requires Light Post)	RP4000 White / RP4050 Gray
<input type="checkbox"/>	Light Post With P&C Bushing, 30"	R4042 White / R4767 Gray

Step 5 Select Chair Mount Adapter

		Part Number
<input type="checkbox"/>	To Fit A-dec® Cascade® 1040	8522
<input type="checkbox"/>	To Fit A-dec® Priority 1005 & 1010	8515
<input type="checkbox"/>	To Fit A-dec® Decade® 1020, 1021 & 1015	8500
<input type="checkbox"/>	To Fit A-dec 500®	8538
<input type="checkbox"/>	To Fit Belmont Bel 20,50/Celebrity/Westar 2001 & 5000/LSM DC-1000 & COHO	8493
<input type="checkbox"/>	To Fit Belmont AcuTrac	8917
<input type="checkbox"/>	To Fit DentalEZ® E3000	8552
<input type="checkbox"/>	To Fit DentalEZ® Advantage E2000	8919
<input type="checkbox"/>	To Fit Marus™ Pro/DCI Equipment	8561
<input type="checkbox"/>	To Fit Pelton Spirit/Schein Empire	8918
<input type="checkbox"/>	To Fit Royal	8497

• Call Customer Service for Adapters not listed

A-dec®, Cascade®, Decade® and A-dec 500® are registered trademarks of A-dec, Inc. DCI has no affiliation with A-dec and A-dec has not authorized DCI replacement parts to be used on or in connection with A-dec® products.



- Upfit your delivery system without the expense of a new chair.
- The Reliance Delivery System is designed to mount to most dental chairs.

✓ - Standard Features - Choose Your Option

		Part Number
Step 1 Select Your Delivery System Color		
Reliance Over the Patient Dental Unit Only	<input type="checkbox"/>	RO4001 White
	<input type="checkbox"/>	RO4051 Gray

Step 2 Configure Your Control Head Options

		Part Number	Handpiece Positions				
			0	1	2	3	4
<input checked="" type="checkbox"/>	DCI Precision Comfort Syringe and tubing						
<input checked="" type="checkbox"/>	HP Tubing 4 Hole Asepsis						
<input type="checkbox"/>	ISO-C 6-Pin Deluxe 3 HP Illumination System (Includes a 9483 tubing)	9885					
<input type="checkbox"/>	ISO 5-Hole Deluxe 3 HP Illumination System (Includes a 9978 tubing)	9889					
<input type="checkbox"/>	ISO-C 6-Pin Standard 2 HP Illumination System (Includes a 9483 tubing)	9905					
<input type="checkbox"/>	ISO 5-Hole Standard 2 HP Illumination System (Includes a 9978 tubing)	9900					
<input type="checkbox"/>	ISO-C 6-Pin Economy HP Illumination System (Includes a 9483 tubing)	9876					
<input type="checkbox"/>	ISO 5-Hole Economy HP Illumination System (Includes a 9978 tubing)	9881					
<input type="checkbox"/>	Additional ISO-C 6-Pin Tubing Option for Illumination Systems	9483					
<input type="checkbox"/>	Additional ISO 5-Hole Tubing Option for Illumination Systems	9978					
<input type="checkbox"/>	Delete HP Position 3	4344					
<input type="checkbox"/>	Add HP Position (Position 4) Includes Block, Water Valve, Holder & HP Tubing	4467 White/ 4468 Gray					
<input checked="" type="checkbox"/>	Stainless Steel Tray and Non-Skid Pad						
<input checked="" type="checkbox"/>	Wet/Dry Foot Control						
<input checked="" type="checkbox"/>	Handpiece Flush						
<input type="checkbox"/>	Add scaler / chip air button to foot control	4346					

Step 3 Configure Your Unit Options

		Part Number
<input checked="" type="checkbox"/>	Self-Contained Quick-Switch Water System w/ 1 Liter Bottle	
<input type="checkbox"/>	Telescoping Assistant's Arm, 4 Position (Requires 5380)	5377 White/ 5376 Gray
<input type="checkbox"/>	Precision Comfort Assistant's Package, HVE, SE, SYR	5380
<input type="checkbox"/>	Additional Extended Vacuum Valve and Tubing	R52892G
<input type="checkbox"/>	Wall & Cabinet Mount Assistant Instrumentation Premium Precision Comfort	5432

Step 4 Configure Your Light

		Part Number
<input type="checkbox"/>	No Light On Unit (Standard)	
<input type="checkbox"/>	Post Mount Reliance LED Light (Requires Light Post)	RP4000 White / RP4050 Gray
<input type="checkbox"/>	Light Post Extension, 24", Pelton & Crane Bushing	8921 White / 8969 Gray

Step 5 Select Chair Mount Adapter

		Part Number
<input type="checkbox"/>	To Fit A-dec® Cascade® 1040	8522
<input type="checkbox"/>	To Fit A-dec® Priority 1005 & 1010	8515
<input type="checkbox"/>	To Fit A-dec® Decade® 1020, 1021 & 1015	8500
<input type="checkbox"/>	To Fit A-dec 500®	8538
<input type="checkbox"/>	To Fit Belmont Bel 20,50/Celebrity/Westar 2001 & 5000/LSM DC-1000 & COHO	8493
<input type="checkbox"/>	To Fit Belmont AcuTrac	8917
<input type="checkbox"/>	To Fit DentalEZ® E3000	8552
<input type="checkbox"/>	To Fit DentalEZ® Advantage E2000	8919
<input type="checkbox"/>	To Fit Marus™ Pro/DCI Equipment	8561
<input type="checkbox"/>	To Fit Pelton Spirit/Schein Empire	8918
<input type="checkbox"/>	To Fit Royal	8497

• Call Customer Service for Adapters not listed

A-dec®, Cascade®, Decade® and A-dec 500® are registered trademarks of A-dec, Inc. DCI has no affiliation with A-dec and A-dec has not authorized DCI replacement parts to be used on or in connection with A-dec® products.



Configuration shown	
RO4102	Reliance Post Mount Utilities
RP4000	Reliance Post Mount LED Light
R4042	Reliance Light Post Assembly, 30"
Step 5	Chair Mount Adapter

- Upfit your delivery system without the expense of a new chair.
- The Reliance Delivery System is designed to mount to most dental chairs.

✓ - Standard Features □ - Choose Your Option

	Part Number	
Step 1 Select Your Delivery System & Color		
Reliance Post Mount Utilities, PMU w/Cuspidor	<input type="checkbox"/>	RO4102 White
	<input type="checkbox"/>	RO4152 Gray
Reliance Post Mount Utilities, PMU, No Cuspidor	<input type="checkbox"/>	RO4002 White
	<input type="checkbox"/>	RO4052 Gray

Step 2 Configure Your Post Mounted Utility Center Options

	Part Number
Step 2A Assistant's Package	
<input type="checkbox"/> Telescoping Arm w/ 4 Position Holder, 1 Syringe, 1 HVE & 1 SE	R52906W White / R52906G Gray
<input type="checkbox"/> Additional Extended Vacuum Valve and Tubing	R52892G
<input type="checkbox"/> Autoclavable Dry Oral Cup	5840
Step 2B Water System	
<input checked="" type="checkbox"/> Self Contained Water System with 2 Liter Bottle	
<input type="checkbox"/> Delete Self Contained Water System and Bottle	4350
<input checked="" type="checkbox"/> Air QD and Water QD with flow control	
Step 2C Junction Box and Utilities	
<input checked="" type="checkbox"/> 6' Umbilical Tubing	
<input type="checkbox"/> Additional Umbilical Length Per Foot, includes sheath tubing - Qty____	R24875A
<input checked="" type="checkbox"/> Asepsis Utility Center and Valves	
<input type="checkbox"/> Delete Asepsis Utility Center and Valves	4347

Step 3 Configure Your Light

	Part Number
<input type="checkbox"/> No Light On Unit (Standard)	
<input type="checkbox"/> Post Mount Reliance LED Light (Requires Light Post)	RP4000 White / RP4050 Gray
<input type="checkbox"/> Light Post With P&C Bushing, 30"	R4042 White / R4767 Gray

Step 4 Select Chair Mount Adapter

	Part Number
<input type="checkbox"/> To Fit A-dec® Cascade® 1040	8522
<input type="checkbox"/> To Fit A-dec® Priority 1005 & 1010	8515
<input type="checkbox"/> To Fit A-dec® Decade® 1020, 1021 & 1015	8500
<input type="checkbox"/> To Fit A-dec 500®	8538
<input type="checkbox"/> To Fit Belmont Bel 20,50/Celebrity/Westar 2001 & 5000/LSM DC-1000 & COHO	8493
<input type="checkbox"/> To Fit Belmont AcuTrac	8917
<input type="checkbox"/> To Fit DentalEZ® E3000	8552
<input type="checkbox"/> To Fit DentalEZ® Advantage E2000	8919
<input type="checkbox"/> To Fit Marus™ Pro/DCI Equipment	8561
<input type="checkbox"/> To Fit Pelton Spirit/Schein Empire	8918
<input type="checkbox"/> To Fit Royal	8497

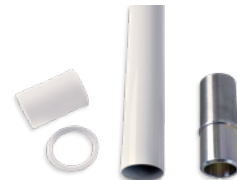
• Call Customer Service for Adapters not listed



4824/4924



R52906W



R4042 / R4767

A-dec®, Cascade®, Decade® and A-dec 500® are registered trademarks of A-dec, Inc. DCI has no affiliation with A-dec and A-dec has not authorized DCI replacement parts to be used on or in connection with A-dec® products.

**FEATURES****RELIANCE**

LED Technology	X
3rd Axis Head Rotation	X
Reflective Technology	X
Dual Touch Controls	X
Offered in Gray or White	X
3" X 6" Light Pattern	X
5000K Color Temperature	X



RP4000

- LED Lamp-24Volt, 10 Watts
- Input Voltage - 115V, 50Hz
- Light Intensity (Lux), 35,000 to 17,500
- Focal Length - 27"

✓ - Standard Features - Choose Your Option

Part Number	Color
<input type="checkbox"/> RP4000	White
<input type="checkbox"/> RP4050	Gray

Step 1 Choose Your Light Color

Reliance Post Mount Light, 120 Volt	Part Number	Color
<input type="checkbox"/>	RP4000	White
<input type="checkbox"/>	RP4050	Gray

Step 2 Configure Your Light Post

<input type="checkbox"/>	Post 48" Long Powdercoat w/ P&C Bushing	8482 White / 4049 Gray
<input type="checkbox"/>	Light Post Extension, 24", P&C Bushing and Clamp	8921 White / 8969 Gray
<input type="checkbox"/>	Light Post Extension, 30", P&C Bushing and Clamp	8463 White / 8986 Gray



8482/4049



8463/8986



8921/8969



✓ - Standard Features □ - Choose Your Option

		Part Number
Step 1 Select Your Stool		
<input type="checkbox"/>	Doctor's Stool (Cylinder height range 19" to 24")	SDR051
<input type="checkbox"/>	Assistant's Stool with Body Support and Footring (Cylinder height range 23" to 29 1/2")	SAR051

Step 2 Select Your Upholstery		
<input type="checkbox"/>	Naugasoft Upholstery	54633
<input type="checkbox"/>	Ultraleather® Upholstery	54634
<input type="checkbox"/>	Non-Standard Upholstery Upcharge per Stool*	54646

*Allow for an additional 2 weeks above standard lead time for all Non-Standard Upholstery. Manufacturer part number required. Contact Customer Service to confirm availability.

Premium Ultraleather® Upholstery

Upcharge per Stool



PEARLIZED



WIRED ULTRALEATHER



Naugasoft Upholstery

Naugasoft included in price for Stools





Our dental cart systems are not only sturdy, but they're also stylish and affordable, perfect to upfit any modern dental practice.

- Sturdy all-metal control head w/ smooth lines for easy cleaning
- Automatic control for 3 handpieces
- Stainless Steel tray (PN 8013) & Non-Skid Pad
- Precision Comfort® Syringe
- Wet/Dry foot control
- 1 1/4" Umbilical, 7 ft.
- Utility center w/ white box
- Variety of tubing color and type to choose from
- Precision Comfort Assistant's Package, 2 HVE & 1 SE (R4540/4542 only)

✓ - Standard Features ☐ - Choose Your Option

		Part Number	
Step 1 Select Your Cart System			
Reliance Automatic Control Cart for 3 HP	<input type="checkbox"/>	R4511	White
Reliance Automatic Control Cart for 3 HP w/ Premium Vacuum	<input type="checkbox"/>	R4540	White
Reliance Automatic Control Cart for 3 HP, Single Air Source	<input type="checkbox"/>	R4523	White
Reliance Automatic Control Cart for 3 HP w/ Standard Vacuum	<input type="checkbox"/>	4542	White



R4511



R4520



R4523



4542

Step 2 Configure Your Control Head Options

<i>(All tubings are Sterling. If nothing is selected - highlighted positions will be used)</i>		Part Number	Handpiece Positions				
			0	1	2	3	4
<input checked="" type="checkbox"/>	DCI Precision Comfort Syringe and tubing						
<input checked="" type="checkbox"/>	HP Tubing 4 Hole Asepsis						
<input type="checkbox"/>	ISO-C 6-Pin Deluxe 3 HP Illumination System (Includes a 9483 tubing)	9885					
<input type="checkbox"/>	ISO 5-Hole Deluxe 3 HP Illumination System (Includes a 9978 tubing)	9889					
<input type="checkbox"/>	ISO-C 6-Pin Standard 2 HP Illumination System (Includes a 9483 tubing)	9905					
<input type="checkbox"/>	ISO 5-Hole Standard 2 HP Illumination System (Includes a 9978 tubing)	9900					
<input type="checkbox"/>	ISO-C 6-Pin Economy HP Illumination System (Includes a 9483 tubing)	9876					
<input type="checkbox"/>	ISO 5-Hole Economy HP Illumination System (Includes a 9978 tubing)	9881					
<input type="checkbox"/>	Additional ISO-C 6-Pin Tubing Option for Illumination Systems	9483					
<input type="checkbox"/>	Additional ISO 5-Hole Tubing Option for Illumination Systems	9978					
<input type="checkbox"/>	Delete HP Position 3	4344					
<input type="checkbox"/>	Add HP Position (Position 4) Includes Block, Water Valve, Holder & HP Tubing	4467 White					
<input checked="" type="checkbox"/>	Stainless Steel Tray and Non-Skid Pad						
<input checked="" type="checkbox"/>	Wet/Dry Foot Control						
<input type="checkbox"/>	Add scaler / chip air button to foot control	4346					
<input checked="" type="checkbox"/>	Self contained water system						
<input type="checkbox"/>	Additional umbilical length per foot includes sheath tubing qty__	R24962A					
<input checked="" type="checkbox"/>	Asepsis Utility center and valves (Not included for R4523)						
<input type="checkbox"/>	Converter & Adapter, Water Bottle Quick-Switch Kit	8941					
<input type="checkbox"/>	2 Liter Bottle w/ Cap & Pick-Up Tube	8164					



9885 / 9889



9905 / 9900



9876 / 9881



The Reliance Automatic 2 HP Cart system features smooth lines for easy cleaning at an affordable price point.

- Sturdy all-metal control head w/ smooth lines for easy cleaning
- Manual control for 2 handpieces
- Stainless Steel tray (PN 8013) & Non-Skid Pad
- Precision Comfort® Syringe
- 1 1/4" Umbilical, 7 ft.
- Utility center w/ white box
- Precision Comfort® Assistant's Package, 2 HVE & 1 SE (R4240 only)

✓ - Standard Features □ - Choose Your Option

Part Number

Step 1 Select Your Cart System

Reliance Manual Control Cart for 2 HP	<input type="checkbox"/>	R4245	White
Reliance Manual Control Cart for 2 HP w/Premium Vacuum	<input type="checkbox"/>	R4240	White



R4245



R4240

Step 2 Configure Your Control Head Options

		Part Number	Handpiece Positions				
			0	1	2	3	4
<input checked="" type="checkbox"/>	DCI Precision Comfort Syringe and tubing						
<input checked="" type="checkbox"/>	HP Tubing 4 Hole Asepsis						
<input type="checkbox"/>	ISO-C 6-Pin Deluxe 3 HP Illumination System (Includes a 9483 tubing)	9885					
<input type="checkbox"/>	ISO 5-Hole Deluxe 3 HP Illumination System (Includes a 9978 tubing)	9889					
<input type="checkbox"/>	ISO-C 6-Pin Standard 2 HP Illumination System (Includes a 9483 tubing)	9905					
<input type="checkbox"/>	ISO 5-Hole Standard 2 HP Illumination System (Includes a 9978 tubing)	9900					
<input type="checkbox"/>	ISO-C 6-Pin Economy HP Illumination System (Includes a 9483 tubing)	9876					
<input type="checkbox"/>	ISO 5-Hole Economy HP Illumination System (Includes a 9978 tubing)	9881					
<input type="checkbox"/>	Additional ISO-C 6-Pin Tubing Option for Illumination Systems	9483					
<input type="checkbox"/>	Additional ISO 5-Hole Tubing Option for Illumination Systems	9978					
<input checked="" type="checkbox"/>	Stainless Steel Tray and Non-Skid Pad						
<input checked="" type="checkbox"/>	Standard Foot Control						
<input type="checkbox"/>	Add scaler / chip air button to foot control	4346					
<input checked="" type="checkbox"/>	Self contained water system						
<input type="checkbox"/>	Additional umbilical length per foot includes sheath tubing qty_	R24962A					
<input checked="" type="checkbox"/>	Asepsis Utility center and valves						
<input type="checkbox"/>	Converter & Adapter, Water Bottle Quick-Switch Kit	8941					
<input type="checkbox"/>	2 Liter Bottle w/ Cap & Pick-Up Tube	8164					



- Operator Support Cart w/ U-Frame
- Solid 1" white laminate top w/ gray edge banding
- 19" x 22" work surface
- Precision Comfort® Assistant's Package, 1 SYR, 2 HVE & 1 SE (R4220 only)

✓ - Standard Features - Choose Your Option

		Part Number	
Step 1 Select Your Cart System			
Work Surface w/ U-Frame Assy	<input type="checkbox"/>	R4227	White
Operator Support Cart w/Assistant's Package U-Frame	<input type="checkbox"/>	R4220	White



R4227



R4220

Step 2 Configure Your Cart Options

	Part Number
<input type="checkbox"/> Storage Well w/ Organizers	8400
<input type="checkbox"/> Utility Center, Premium w/ Frame & Cover, White	8329

Step 3 Configure Your Doctor's Delivery

	Part Number
Step 3A Choose Doctor's Delivery	
<input type="checkbox"/> Reliance Cabinet Mount Automatic Control Unit for 3 HP (requires 4289, 8337 & 8336)	4470
<input type="checkbox"/> Reliance Cabinet Mount Manual Control Unit for 2 HP, 2 Wet (requires 4289, 8337 & 8336)	4521
Step 3B Required with Doctor's Delivery	
<input type="checkbox"/> Pin Mount Bracket Kit, White	4289
<input type="checkbox"/> Rigid Arm, 6", White	8337
<input type="checkbox"/> Control Mount Bracket, White	8336
<input type="checkbox"/> Additional Extended Vacuum Valve and Tubing	R52892G



- Operator Support Cart w/ U-Frame
- Solid 1" white laminate top w/ gray edge banding
- 19" x 22" work surface
- Precision Comfort® Assistant's Package, 1 SYR, 1 HVE & 1 SE (R4221 only)

- Standard Features
 - Choose Your Option

		Part Number	
Step 1 Select Your Cart System			
Work Surface w/ H-Frame Assy	<input type="checkbox"/>	R4228	White
Operator Support Cart w/ Assistant's Package H-Frame	<input type="checkbox"/>	R4221	White



R4228



R4221

Step 2 Configure Your Cart Options

		Part Number
<input type="checkbox"/>	Asepsis Self-Contained Deluxe QS Single Water System w/ 2 Liter Bottle & 2" Clamp (Included with R4221)	8928QS
<input type="checkbox"/>	Storage Well w/ Organizers	8400
<input type="checkbox"/>	Utility Center, Premium w/ Frame & Cover, White (Included with R4221)	8329

Step 3 Configure Your Doctor's Delivery

		Part Number
Step 3A Choose Doctor's Delivery		
<input type="checkbox"/>	Reliance Cabinet Mount Automatic Control Unit for 3 HP (requires 4289, 8337 & 8336)	4470
<input type="checkbox"/>	Reliance Cabinet Mount Manual Control Unit for 2 HP, 2 Wet (requires 4289, 8337 & 8336)	4521
Step 3B Required with Doctor's Delivery		
<input type="checkbox"/>	Pin Mount Bracket Kit, White	4289
<input type="checkbox"/>	Rigid Arm, 6", White	8337
<input type="checkbox"/>	Control Mount Bracket, White	8336
<input type="checkbox"/>	Additional Extended Vacuum Valve and Tubing	R52892G



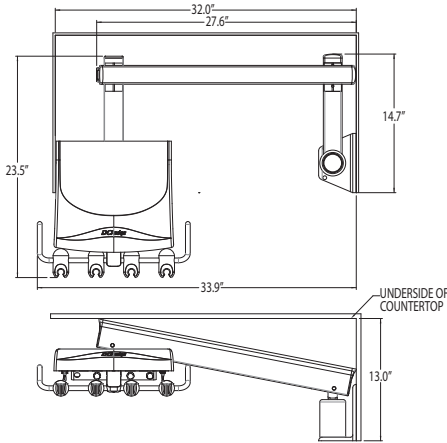
- Smooth lines for easing cleaning
- Automatic control for 3 handpieces
- Includes a stainless-steel tray (PN 8013)
- Includes 8 Conductor Low Voltage Electrical Cable
- Includes a Precision Comfort® Syringe
- Available in left- or right-hand configuration
- 4-Hole Straight Sterling Tubing is Standard

✓ - Standard Features - Choose Your Option

Part Number

Step 1 Select Your Delivery System

Reliance Side Delivery Auto Dental Unit	<input type="checkbox"/>	RW4000	White
	<input type="checkbox"/>	RW4050	Gray



RW4000 / RW4050

Step 2 Configure Your Control Head Options

	<i>(All tubings are Sterling. If nothing is selected - highlighted positions will be used)</i>	Part Number	Handpiece Positions				
			0	1	2	3	4
<input checked="" type="checkbox"/>	DCI Precision Comfort Syringe and tubing						
<input checked="" type="checkbox"/>	HP Tubing 4 Hole Asepsis						
<input type="checkbox"/>	ISO-C 6-Pin Deluxe 3 HP Illumination System (Includes a 9483 tubing)	9885					
<input type="checkbox"/>	ISO 5-Hole Deluxe 3 HP Illumination System (Includes a 9978 tubing)	9889					
<input type="checkbox"/>	ISO-C 6-Pin Standard 2 HP Illumination System (Includes a 9483 tubing)	9905					
<input type="checkbox"/>	ISO 5-Hole Standard 2 HP Illumination System (Includes a 9978 tubing)	9900					
<input type="checkbox"/>	ISO-C 6-Pin Economy HP Illumination System (Includes a 9483 tubing)	9876					
<input type="checkbox"/>	ISO 5-Hole Economy HP Illumination System (Includes a 9978 tubing)	9881					
<input type="checkbox"/>	Additional ISO-C 6-Pin Tubing Option for Illumination Systems	9483					
<input type="checkbox"/>	Additional ISO 5-Hole Tubing Option for Illumination Systems	9978					
<input type="checkbox"/>	Delete HP Position 3	4344					
<input type="checkbox"/>	Add HP Position (Position 4) Includes Block, Water Valve, Holder & HP Tubing	4467 White/ 4468 Gray					
<input checked="" type="checkbox"/>	Stainless Steel Tray and Non-Skid Pad						
<input checked="" type="checkbox"/>	Wet/Dry Foot Control						
<input type="checkbox"/>	Add scaler / chip air button to foot control	4346					

Step 3 Select Your Unit Options

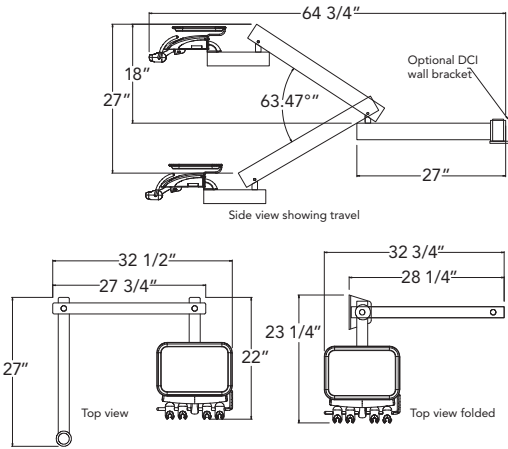
	Part Number
<input type="checkbox"/> Asepsis Self-Contained Deluxe QS Dual Water System w/ 750 ml Bottle	8178QS
<input type="checkbox"/> Wall & Cabinet Mount Assistant Instrumentation Premium Precision Comfort®	5432
<input type="checkbox"/> Precision Comfort® Assistant's Package, HVE, SE, SYR	5380
<input type="checkbox"/> Vertical Mount Assistant's Holders, 4 Position	5378



- Smooth lines for easing cleaning
- Automatic control for 3 handpieces
- Includes a stainless-steel tray (PN 8013)
- Includes 8 Conductor Low Voltage Electrical Cable
- Includes a Precision Comfort® Syringe
- Available in left- or right-hand configuration
- 4-Hole Straight Gray Tubing is Standard

✓ - Standard Features □ - Choose Your Option

		Part Number	
Step 1 Select Your Delivery System & Color			
Reliance Arm Mounted Automatic Control Unit for 3 HP w/ Flex Arm	<input type="checkbox"/>	4478	White
	<input type="checkbox"/>	4477	Gray
Step 2 Configure Your Control Head Options			
	(All tubings are Gray. If nothing is selected - highlighted positions will be used)	Part Number	Handpiece Positions
			0 1 2 3 4
✓	DCI Precision Comfort Syringe and tubing		
✓	HP Tubing 4 Hole Asepsis		
<input type="checkbox"/>	ISO-C 6-Pin Deluxe 3 HP Illumination System (Includes a 9481 tubing)	9886	
<input type="checkbox"/>	ISO 5-Hole Deluxe 3 HP Illumination System (Includes a 9976 tubing)	9891	
<input type="checkbox"/>	ISO-C 6-Pin Standard 2 HP Illumination System (Includes a 9481 tubing)	9903	
<input type="checkbox"/>	ISO 5-Hole Standard 2 HP Illumination System (Includes a 9976 tubing)	9898	
<input type="checkbox"/>	ISO-C 6-Pin Economy HP Illumination System (Includes a 9481 tubing)	9878	
<input type="checkbox"/>	ISO 5-Hole Economy HP Illumination System (Includes a 9976 tubing)	9883	
<input type="checkbox"/>	Additional ISO-C 6-Pin Tubing Option for Illumination Systems	9481	
<input type="checkbox"/>	Additional ISO 5-Hole Tubing Option for Illumination Systems	9976	
<input type="checkbox"/>	Delete HP Position 3	4344	
<input type="checkbox"/>	Add HP Position (Position 4) Includes Block, Water Valve, Holder & HP Tubing	4467 White/ 4468 Gray	
<input type="checkbox"/>	Sub chassis for accessory integration	4230	
✓	Stainless Steel Tray		
✓	Wet/Dry Foot Control		
<input type="checkbox"/>	Add scaler / chip air button to foot control	4346	
✓	50" Flex Arm for 2" Post w/ Air Brake		



4478 / 4477

Step 3 Configure Your Mounting Options

	Part Number
<input type="checkbox"/> Wall Mount Bracket	8647 White / 8349 Gray
<input type="checkbox"/> Top Post Mount Adapter Kit	8923 White / 8956 Gray
<input type="checkbox"/> Post, 24", w/ Oilite Bushing	4762 White / 4764 Gray
<input type="checkbox"/> Post, 30", w/ Oilite Bushing	4763 White / 4765 Gray

Step 4 Select Your Utility Center Options

	Part Number
<input type="checkbox"/> Asepsis Self-Contained Deluxe QS Single Water System w/ 2 Liter Bottle & 2" Clamp	8928QS
<input type="checkbox"/> Asepsis Self-Contained Deluxe QS Dual Water System w/ 750 ml Bottle	8178QS
<input type="checkbox"/> Utility Center w/ White Box & Regulators	8329
<input type="checkbox"/> Wall & Cabinet Mount Assistant Instrumentation Premium Precision Comfort	5432
<input type="checkbox"/> Precision Comfort Assistant's Package, 2 HVE, SE, SYR (Requires 5373)	5364
<input type="checkbox"/> Vertical Mount Assistant's Holders, 4 Position	5373



8923 / 8956



4762 / 4764



8928QS



- Shown with optional Stainless Steel Tray (PN 8013). Sold separately
- Smooth lines for easing cleaning
- Automatic control for 3 handpieces
- Includes 8 Conductor Low Voltage Electrical Cable
- Includes a Precision Comfort® Syringe
- Available in left- or right-hand configuration
- 4-Hole Straight Gray Tubing is Standard

✓ - Standard Features □ - Choose Your Option

		Part Number	
Step 1 Select Your Delivery System			
Alternative Arm Mounted Automatic Control Unit for 3 HP w/ Tray & White Flex Arm	<input type="checkbox"/>	4376	White
Step 2 Configure Your Control Head Options			
	(All tubings are Gray. If nothing is selected - highlighted positions will be used)	Part Number	Handpiece Positions
			0 1 2 3 4
✓	DCI Precision Comfort Syringe and tubing		
✓	HP Tubing 4 Hole Asepsis		
<input type="checkbox"/>	ISO-C 6-Pin Deluxe 3 HP Illumination System (Includes a 9481 tubing)	9886	
<input type="checkbox"/>	ISO 5-Hole Deluxe 3 HP Illumination System (Includes a 9976 tubing)	9891	
<input type="checkbox"/>	ISO-C 6-Pin Standard 2 HP Illumination System (Includes a 9481 tubing)	9903	
<input type="checkbox"/>	ISO 5-Hole Standard 2 HP Illumination System (Includes a 9976 tubing)	9898	
<input type="checkbox"/>	ISO-C 6-Pin Economy HP Illumination System (Includes a 9481 tubing)	9878	
<input type="checkbox"/>	ISO 5-Hole Economy HP Illumination System (Includes a 9976 tubing)	9883	
<input type="checkbox"/>	Additional ISO-C 6-Pin Tubing Option for Illumination Systems	9481	
<input type="checkbox"/>	Additional ISO 5-Hole Tubing Option for Illumination Systems	9976	
<input type="checkbox"/>	Delete HP Position 3	4344	
<input type="checkbox"/>	Stainless Steel Tray	8013	
✓	Disc-Type Foot Control		
<input type="checkbox"/>	Add scaler / chip air button to foot control	4346	
✓	50" Flex Arm for 2" Post w/ Air Brake		



4376

Shown with optional Stainless Steel Tray (PN 8013). Sold separately.

Step 3 Configure Your Mounting Options

		Part Number
<input type="checkbox"/>	Wall Mount Bracket	8647 White
<input type="checkbox"/>	Top Post Mount Adapter	8923 White
<input type="checkbox"/>	Post, 24" White, w/ Oilite Bushing	4762
<input type="checkbox"/>	Post, 30" White, w/ Oilite Bushing	4763

Step 4 Select Your Utility Center Options

		Part Number
<input type="checkbox"/>	Asepsis Self-Contained Deluxe QS Single Water System w/ 2 Liter Bottle & 2" Clamp	8928QS
<input type="checkbox"/>	Asepsis Self-Contained Deluxe QS Dual Water System w/ 750 ml Bottle	8178QS
<input type="checkbox"/>	Utility Center w/ White Box & Regulators	8329
<input type="checkbox"/>	Wall & Cabinet Mount Assistant Instrumentation Premium Precision Comfort	5432
<input type="checkbox"/>	Precision Comfort Assistant's Package, 2 HVE, SE, SYR (Requires 5373)	5364
<input type="checkbox"/>	Vertical Mount Assistant's Holders, 4 Position	5373



8329



5432



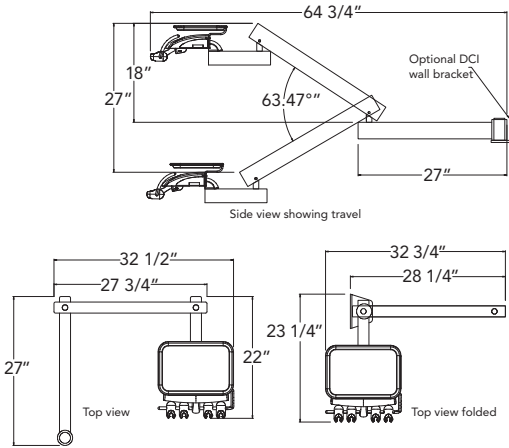
5373 / 5364



- Shown with optional Stainless Steel Tray (PN 8013). Sold separately
- Smooth lines for easing cleaning
- Automatic control for 2 handpieces
- Includes 8 Conductor Low Voltage Electrical Cable
- Includes a Precision Comfort® Gray
- Available in left- or right-hand configuration
- 4-Hole Straight Gray Tubing is Standard

✓ - Standard Features □ - Choose Your Option

		Part Number	
Step 1 Select Your Delivery System & Color			
Reliance Arm Mounted Manual Control Unit for 2HP, 2 Wet w/ Flex Arm	<input type="checkbox"/>	4530	White
	<input type="checkbox"/>	4528	Gray
Reliance Arm Mounted Manual Control Unit for 2HP, 1 Wet & 1 Dry w/ Flex Arm	<input type="checkbox"/>	4529	White
	<input type="checkbox"/>	4526	Gray
Step 2 Configure Your Control Head Options			
	(All tubings are Gray. If nothing is selected - highlighted positions will be used)	Part Number	Handpiece Positions
			0 1 2 3 4
✓ DCI Precision Comfort Syringe and tubing			
✓ HP Tubing 4 Hole Asepsis			
<input type="checkbox"/> ISO-C 6-Pin Standard 2 HP Illumination System (Includes a 9481 tubing)		9903	
<input type="checkbox"/> ISO 5-Hole Standard 2 HP Illumination System (Includes a 9976 tubing)		9898	
<input type="checkbox"/> ISO-C 6-Pin Economy HP Illumination System (Includes a 9481 tubing)		9878	
<input type="checkbox"/> ISO 5-Hole Economy HP Illumination System (Includes a 9976 tubing)		9883	
<input type="checkbox"/> Additional ISO-C 6-Pin Tubing Option for Illumination Systems		9481	
<input type="checkbox"/> Additional ISO 5-Hole Tubing Option for Illumination Systems		9976	
<input type="checkbox"/> Stainless Steel Tray		8013	
✓ Disc-Type Foot Control			
<input type="checkbox"/> Add scaler / chip air button to foot control		4346	
✓ 50" Flex Arm for 2" Post w/ Air Brake			



4530 / 4528
4529 / 4526

Shown with optional Stainless Steel Tray (PN 8013). Sold separately.

Step 3 Configure Your Mounting Options

		Part Number
<input type="checkbox"/>	Wall Mount Bracket	8647 White / 8349 Gray
<input type="checkbox"/>	Top Post Mount Adapter	8923 White / 8956 Gray
<input type="checkbox"/>	Post, 24", w/ Oilite Bushing	4762 White / 4764 Gray
<input type="checkbox"/>	Post, 30", w/ Oilite Bushing	4763 White / 4765 Gray

Step 4 Select Your Utility Center Options

		Part Number
<input type="checkbox"/>	Asepsis Self-Contained Deluxe QS Single Water System w/ 2 Liter Bottle & 2" Clamp	8928QS
<input type="checkbox"/>	Asepsis Self-Contained Deluxe QS Dual Water System w/ 750 ml Bottle	8178QS
<input type="checkbox"/>	Utility Center w/ White Box & Regulators	8329
<input type="checkbox"/>	Wall & Cabinet Mount Assistant Instrumentation Premium Precision Comfort	5432
<input type="checkbox"/>	Precision Comfort Assistant's Package, 2 HVE, SE, SYR (Requires 5373)	5364
<input type="checkbox"/>	Vertical Mount Assistant's Holders, 4 Position	5373



8923 / 8956



4762 / 4764



8928QS



- Shown with optional Stainless Steel Tray (PN 8013). Sold separately
- Smooth lines for easing cleaning
- Automatic control for 2 handpieces
- Includes 8 Conductor Low Voltage Electrical Cable
- Includes a Precision Comfort® Syringe
- Available in left- or right-hand configuration
- 4-Hole Straight Gray Tubing is Standard

✓ - Standard Features □ - Choose Your Option

Part Number

Step 1 Select Your Delivery System

Alternative Arm Mounted 2 Wet w/ Tray & White Flex Arm	<input type="checkbox"/>	4129	White
Alternative Arm Mounted Manual Control, 1 Wet & 1 Dry w/ Tray & White Flex Arm	<input type="checkbox"/>	4128	White

Step 2 Configure Your Control Head Options

	(All tubings are Gray. If nothing is selected - highlighted positions will be used)	Part Number	Handpiece Positions				
			0	1	2	3	4
✓ DCI Precision Comfort Syringe and tubing							
✓ HP Tubing 4 Hole Asepsis							
<input type="checkbox"/> ISO-C 6-Pin Standard 2 HP Illumination System (Includes a 9481 tubing)		9903					
<input type="checkbox"/> ISO 5-Hole Standard 2 HP Illumination System (Includes a 9976 tubing)		9898					
<input type="checkbox"/> ISO-C 6-Pin Economy HP Illumination System (Includes a 9481 tubing)		9878					
<input type="checkbox"/> ISO 5-Hole Economy HP Illumination System (Includes a 9976 tubing)		9883					
<input type="checkbox"/> Additional ISO-C 6-Pin Tubing Option for Illumination Systems		9481					
<input type="checkbox"/> Additional ISO 5-Hole Tubing Option for Illumination Systems		9976					
<input type="checkbox"/> Stainless Steel Tray		8013					
✓ Standard Foot Control							
<input type="checkbox"/> Add scaler / chip air button to foot control		4346					
✓ 50" Flex Arm for 2" Post w/ Air Brake							



4128 / 4129

Shown with optional Stainless Steel Tray (PN 8013). Sold separately.

Step 3 Configure Your Mounting Options

		Part Number
<input type="checkbox"/>	Wall Mount Bracket	8647 White
<input type="checkbox"/>	Top Post Mount Adapter	8923 White
<input type="checkbox"/>	Post, 24" White, w/ Oilite Bushing	4762
<input type="checkbox"/>	Post, 30" White, w/ Oilite Bushing	4763

Step 4 Select Your Utility Center Options

		Part Number
<input type="checkbox"/>	Asepsis Self-Contained Deluxe QS Single Water System w/ 2 Liter Bottle & 2" Clamp	8928QS
<input type="checkbox"/>	Asepsis Self-Contained Deluxe QS Dual Water System w/ 750 ml Bottle	8178QS
<input type="checkbox"/>	Utility Center w/ White Box & Regulators	8329
<input type="checkbox"/>	Wall & Cabinet Mount Assistant Instrumentation Premium Precision Comfort	5432
<input type="checkbox"/>	Precision Comfort Assistant's Package, 2 HVE, SE, SYR (Requires 5373)	5364
<input type="checkbox"/>	Vertical Mount Assistant's Holders, 4 Position	5373



8329



5432



5373 / 5364



- Precision Comfort® Syringe
- Wet/Dry Foot Control
- Stainless-steel tray (PN 8013) and holder
- 7 ft. of 5/8" umbilical
- 4-Hole Straight Gray Tubing is Standard, with other tubing styles and colors available upon request.
- Economy Self-Contained Deluxe Water System w/ 2L Bottle

✓ - Standard Features □ - Choose Your Option

		Part Number
Step 1 Select Your Delivery System		
Reliance Cabinet Mount Automatic Control Unit for 3 HP, w/ Asst. Pkg	<input type="checkbox"/>	4469
Reliance Cabinet Mount Manual Control Unit for 2 HP, w/ Asst. Pkg	<input type="checkbox"/>	4521L
Step 2 Configure Your Control Head Options		
<i>(All tubings are Gray. If nothing is selected - highlighted positions will be used)</i>		Part Number
		Handpiece Positions
		0 1 2 3 4
✓ DCI Precision Comfort Syringe and tubing		
✓ HP Tubing 4 Hole Asepsis		
<input type="checkbox"/> ISO-C 6-Pin Deluxe 3 HP Illumination System (Includes a 9481 tubing)	9886	
<input type="checkbox"/> ISO 5-Hole Deluxe 3 HP Illumination System (Includes a 9976 tubing)	9891	
<input type="checkbox"/> ISO-C 6-Pin Standard 2 HP Illumination System (Includes a 9481 tubing)	9903	
<input type="checkbox"/> ISO 5-Hole Standard 2 HP Illumination System (Includes a 9976 tubing)	9898	
<input type="checkbox"/> ISO-C 6-Pin Economy HP Illumination System (Includes a 9481 tubing)	9878	
<input type="checkbox"/> ISO 5-Hole Economy HP Illumination System (Includes a 9976 tubing)	9883	
<input type="checkbox"/> Additional ISO-C 6-Pin Tubing Option for Illumination Systems	9481	
<input type="checkbox"/> Additional ISO 5-Hole Tubing Option for Illumination Systems	9976	
<input type="checkbox"/> Delete HP Position 3	4344	
<input type="checkbox"/> Add HP Position (Position 4) Includes Block, Water Valve, Holder & HP Tubing	4467 White	
<input type="checkbox"/> Sub chassis for accessory integration (For 4469 Only)	4230	
✓ Stainless Steel Tray		
✓ Disc-Type Foot Control		
<input type="checkbox"/> Add scaler / chip air button to foot control	4346	
✓ Economy Self-Contained Deluxe Water System w/ 2 Liter Bottle	8143	



4469



4521L

Step 3 Configure Your Mounting Style

		Part Number
<input type="checkbox"/>	Horizontal Mount, 1/2", White	8379
<input checked="" type="checkbox"/>	Vertical Mount, 1/2" Pin, White	8378
<input type="checkbox"/>	Post Mount, 2", White	8259
<input checked="" type="checkbox"/>	Rigid Arm, 6", White (qty 2)	8337
<input checked="" type="checkbox"/>	Rigid Arm, 8", Dual Pivot Arm, White	8338



8379



8259



8337



- Automatic control for 3 handpieces
- Precision Comfort® Syringe
- Wet/Dry Foot Control
- 7 ft. of 5/8" umbilical
- 4-Hole Straight Gray Tubing is Standard, with other tubing styles and colors available upon request.

- Standard Features - Choose Your Option

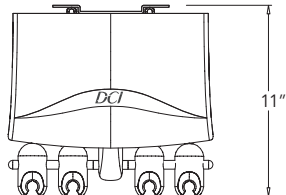
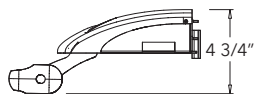
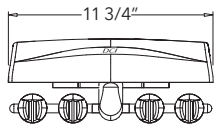
Part Number

Step 1 Select Your Delivery System

Reliance Cabinet Mount Automatic Control Unit for 3 HP	<input type="checkbox"/>	4470	White
--	--------------------------	------	-------

Step 2 Configure Your Control Head Options

	(All tubings are Gray. If nothing is selected - highlighted positions will be used)	Part Number	Handpiece Positions				
			0	1	2	3	4
<input checked="" type="checkbox"/>	DCI Precision Comfort Syringe and tubing						
<input checked="" type="checkbox"/>	HP Tubing 4 Hole Asepsis						
<input type="checkbox"/>	ISO-C 6-Pin Deluxe 3 HP Illumination System (Includes a 9481 tubing)	9886					
<input type="checkbox"/>	ISO 5-Hole Deluxe 3 HP Illumination System (Includes a 9976 tubing)	9891					
<input type="checkbox"/>	ISO-C 6-Pin Standard 2 HP Illumination System (Includes a 9481 tubing)	9903					
<input type="checkbox"/>	ISO 5-Hole Standard 2 HP Illumination System (Includes a 9976 tubing)	9898					
<input type="checkbox"/>	ISO-C 6-Pin Economy HP Illumination System (Includes a 9481 tubing)	9878					
<input type="checkbox"/>	ISO 5-Hole Economy HP Illumination System (Includes a 9976 tubing)	9883					
<input type="checkbox"/>	Additional ISO-C 6-Pin Tubing Option for Illumination Systems	9481					
<input type="checkbox"/>	Additional ISO 5-Hole Tubing Option for Illumination Systems	9976					
<input type="checkbox"/>	Delete HP Position 3	4344					
<input type="checkbox"/>	Add HP Position (Position 4) Includes Block, Water Valve, Holder & HP Tubing	4467 White					
<input type="checkbox"/>	Sub chassis for accessory integration	4230					
<input checked="" type="checkbox"/>	Wet/Dry Foot Control						
<input type="checkbox"/>	Add scaler / chip air button to foot control	4346					



4470



4470

Step 3 Configure Your Mounting Style

	Part Number
<input type="checkbox"/> Control Mount Bracket (for use with rigid arms)	8336 White / 8634 Gray
<input type="checkbox"/> Rigid Arm, 6"	8337 White / 8303 Gray
<input type="checkbox"/> Rigid Arm, 8", Dual Pivot Arm	8338 White / 8304 Gray
<input type="checkbox"/> Rigid Arm, 12"	8356 White / 8306 Gray
<input type="checkbox"/> Rigid Arm, 16"	8357 White / 8307 Gray
<input type="checkbox"/> Surface mount bracket vertical (for use with rigid arms)	8378 White / 8308 Gray
<input type="checkbox"/> Surface mount bracket horizontal (for use with rigid arms)	8379 White / 8309 Gray
<input type="checkbox"/> Surface mount bracket under counter mount (for use with rigid arms)	4289 White / 4291 Gray
<input type="checkbox"/> Post Mount, 2" (for use with rigid arms)	8259 White / 8253 Gray
<input type="checkbox"/> Post Top Mount, 2" (for use with rigid arms)	8489 White / 8294 Gray

Step 4 Select Your Utility Center Options

	Part Number
<input type="checkbox"/> Economy clean water system	8139QS
<input type="checkbox"/> Asepsis Dual clean water system	8178QS



8634, 8303, 4291



8634, 8304, 8294



8634, 8304, 8308

• Other mounting combinations possible



- Automatic control for 3 handpieces
- Precision Comfort® Syringe
- Wet/Dry Foot Control
- 7 ft. of 5/8" umbilical
- 4-Hole Straight Gray Tubing is Standard, with other tubing styles and colors available upon request.

- Standard Features - Choose Your Option

Part Number

Step 1 Select Your Delivery System

Alternative Cabinet or Wall Mount Automatic Control 3 HP	<input type="checkbox"/>	4370	White
--	--------------------------	------	-------

Step 2 Configure Your Control Head Options

	<i>(All tubings are Gray. If nothing is selected - highlighted positions will be used)</i>	Part Number	Handpiece Positions				
			0	1	2	3	4
<input checked="" type="checkbox"/>	DCI Precision Comfort Syringe and tubing						
<input checked="" type="checkbox"/>	HP Tubing 4 Hole Asepsis						
<input type="checkbox"/>	ISO-C 6-Pin Deluxe 3 HP Illumination System (Includes a 9481 tubing)	9886					
<input type="checkbox"/>	ISO 5-Hole Deluxe 3 HP Illumination System (Includes a 9976 tubing)	9891					
<input type="checkbox"/>	ISO-C 6-Pin Standard 2 HP Illumination System (Includes a 9481 tubing)	9903					
<input type="checkbox"/>	ISO 5-Hole Standard 2 HP Illumination System (Includes a 9976 tubing)	9898					
<input type="checkbox"/>	ISO-C 6-Pin Economy HP Illumination System (Includes a 9481 tubing)	9878					
<input type="checkbox"/>	ISO 5-Hole Economy HP Illumination System (Includes a 9976 tubing)	9883					
<input type="checkbox"/>	Additional ISO-C 6-Pin Tubing Option for Illumination Systems	9481					
<input type="checkbox"/>	Additional ISO 5-Hole Tubing Option for Illumination Systems	9976					
<input type="checkbox"/>	Delete HP Position 3	4344					
<input checked="" type="checkbox"/>	Wet/Dry Foot Control						
<input type="checkbox"/>	Add scaler / chip air button to foot control	4346					



4370

Step 3 Configure Your Mounting Style

	Part Number
<input type="checkbox"/> Control Mount Bracket (for use with rigid arms)	8336 White / 8634 Gray
<input type="checkbox"/> Rigid Arm, 6"	8337 White / 8303 Gray
<input type="checkbox"/> Rigid Arm, 8", Dual Pivot Arm	8338 White / 8304 Gray
<input type="checkbox"/> Rigid Arm, 12"	8356 White / 8306 Gray
<input type="checkbox"/> Rigid Arm, 16"	8357 White / 8307 Gray
<input type="checkbox"/> Surface mount bracket vertical (for use with rigid arms)	8378 White / 8308 Gray
<input type="checkbox"/> Surface mount bracket horizontal (for use with rigid arms)	8379 White / 8309 Gray
<input type="checkbox"/> Surface mount bracket under counter mount (for use with rigid arms)	4289 White / 4291 Gray
<input type="checkbox"/> Post Mount, 2" (for use with rigid arms)	8259 White / 8253 Gray
<input type="checkbox"/> Post Top Mount, 2" (for use with rigid arms)	8489 White / 8294 Gray

Step 4 Select Your Additional Options

	Part Number
<input type="checkbox"/> Economy clean water system	8139QS
<input type="checkbox"/> Asepsis Dual clean water system	8178QS



8634, 8303, 8294



8634, 8303, 8308



8634, 8303, 8308

• Other mounting combinations possible



- Manual control for 2 handpieces
- Precision Comfort® Syringe
- Standard Foot Control
- 7 ft. of 5/8" umbilical
- 4-Hole Straight Gray Tubing is Standard, with other tubing styles and colors available upon request.

✓ - **Standard Features** - **Choose Your Option**

Part Number

Step 1 Select Your Delivery System

Reliance Cabinet Mount Manual Control Unit for 2 HP, 2 Wet	<input type="checkbox"/>	4521
Reliance Cabinet Mount Manual Control Unit for 2 HP, 1 Wet & 1 Dry	<input type="checkbox"/>	4520

Step 2 Configure Your Control Head Options

	<i>(All tubings are Gray. If nothing is selected - highlighted positions will be used)</i>	Part Number	Handpiece Positions				
			0	1	2	3	4
✓ DCI Precision Comfort Syringe and tubing							
✓ HP Tubing 4 Hole Asepsis							
<input type="checkbox"/> ISO-C 6-Pin Standard 2 HP Illumination System (Includes a 9481 tubing)		9903					
<input type="checkbox"/> ISO 5-Hole Standard 2 HP Illumination System (Includes a 9976 tubing)		9891					
<input type="checkbox"/> ISO-C 6-Pin Economy HP Illumination System (Includes a 9481 tubing)		9903					
<input type="checkbox"/> ISO 5-Hole Economy HP Illumination System (Includes a 9976 tubing)		9898					
<input type="checkbox"/> Additional ISO-C 6-Pin Tubing Option for Illumination Systems		9481					
<input type="checkbox"/> Additional ISO 5-Hole Tubing Option for Illumination Systems		9976					
✓ Standard Foot Control							
<input type="checkbox"/> Add scaler / chip air button to foot control		4346					



4520 / 4521

Step 3 Configure Your Mounting Style

	Part Number
<input type="checkbox"/> Control Mount Bracket (for use with rigid arms)	8336 White / 8634 Gray
<input type="checkbox"/> Rigid Arm, 6"	8337 White / 8303 Gray
<input type="checkbox"/> Rigid Arm, 8", Dual Pivot Arm	8338 White / 8304 Gray
<input type="checkbox"/> Rigid Arm, 12"	8356 White / 8306 Gray
<input type="checkbox"/> Rigid Arm, 16"	8357 White / 8307 Gray
<input type="checkbox"/> Surface mount bracket vertical (for use with rigid arms)	8378 White / 8308 Gray
<input type="checkbox"/> Surface mount bracket horizontal (for use with rigid arms)	8379 White / 8309 Gray
<input type="checkbox"/> Surface mount bracket under counter mount (for use with rigid arms)	4289 White / 4291 Gray
<input type="checkbox"/> Post Mount, 2" (for use with rigid arms)	8259 White / 8253 Gray
<input type="checkbox"/> Post Top Mount, 2" (for use with rigid arms)	8489 White / 8294 Gray

Step 4 Select Your Additional Options

	Part Number
<input type="checkbox"/> Economy clean water system	8139QS
<input type="checkbox"/> Asepsis Dual clean water system	8178QS



8634, 8303, 8306, 8253



8634, 8304, 8303, 8308



8634, 8303, 8306, 4291

• Other mounting combinations possible



- Manual control for 2 handpieces
- Precision Comfort® Syringe
- Standard Foot Control
- 7 ft. of 5/8" umbilical
- 4-Hole Straight Gray Tubing is Standard, with other tubing styles and colors available upon request.

✓ - Standard Features - Choose Your Option

Part Number

Step 1 Select Your Delivery System

Alternative Cabinet or Wall Mount Manual Control, 1 Wet & 1 Dry	<input type="checkbox"/>	4120
Alternative Cabinet or Wall Mount Manual Control, 2 Wet	<input type="checkbox"/>	4121

Step 2 Configure Your Control Head Options

	(All tubings are Gray. If nothing is selected - highlighted positions will be used)	Part Number	Handpiece Positions				
			0	1	2	3	4
✓ DCI Precision Comfort Syringe and tubing							
✓ HP Tubing 4 Hole Asepsis							
<input type="checkbox"/> ISO-C 6-Pin Standard 2 HP Illumination System (Includes a 9481 tubing)		9903					
<input type="checkbox"/> ISO 5-Hole Standard 2 HP Illumination System (Includes a 9976 tubing)		9898					
<input type="checkbox"/> ISO-C 6-Pin Economy HP Illumination System (Includes a 9481 tubing)		9878					
<input type="checkbox"/> ISO 5-Hole Economy HP Illumination System (Includes a 9976 tubing)		9883					
<input type="checkbox"/> Additional ISO-C 6-Pin Tubing Option for Illumination Systems		9481					
<input type="checkbox"/> Additional ISO 5-Hole Tubing Option for Illumination Systems		9976					
✓ Standard Foot Control							
<input type="checkbox"/> Add scaler / chip air button to foot control		4346					



4120 / 4121

Step 3 Configure Your Mounting Style

	Part Number
<input type="checkbox"/> Control Mount Bracket (for use with rigid arms)	8336 White / 8634 Gray
<input type="checkbox"/> Rigid Arm, 6"	8337 White / 8303 Gray
<input type="checkbox"/> Rigid Arm, 8", Dual Pivot Arm	8338 White / 8304 Gray
<input type="checkbox"/> Rigid Arm, 12"	8356 White / 8306 Gray
<input type="checkbox"/> Rigid Arm, 16"	8357 White / 8307 Gray
<input type="checkbox"/> Surface mount bracket vertical (for use with rigid arms)	8378 White / 8308 Gray
<input type="checkbox"/> Surface mount bracket horizontal (for use with rigid arms)	8379 White / 8309 Gray
<input type="checkbox"/> Surface mount bracket under counter mount (for use with rigid arms)	4289 White / 4291 Gray
<input type="checkbox"/> Post Mount, 2" (for use with rigid arms)	8259 White / 8253 Gray
<input type="checkbox"/> Post Top Mount, 2" (for use with rigid arms)	8489 White / 8294 Gray

Step 4 Select Your Additional Options

	Part Number
<input type="checkbox"/> Economy clean water system	8139QS
<input type="checkbox"/> Asepsis Dual clean water system	8178QS



8634, 8303, 4291



8634, 8303, 8294



8634, 8304, 8308

• Other mounting combinations possible



- 2 Handpiece Flex Arm System
- Can mount on 2" Post
- Choose between Automatic or Manual
- Precision Comfort® Syringe
- 6 ft. 1/2" Umbilical
- 4-Hole Straight Gray Tubing is Standard, with other tubing styles and colors available upon request.

✓ - Standard Features □ - Choose Your Option

Part Number

Step 1 Select Your Delivery Unit

DCI III Automatic control for 2 Handpiece, 2 Wet	<input type="checkbox"/>	4506	White
DCI III Manual control for 2 Handpiece, 1 Wet & 1 Dry	<input type="checkbox"/>	4502	White

Step 2 Configure Your Control Head Options

	(All tubings are Gray. If nothing is selected - highlighted positions will be used)	Part Number	Handpiece Positions				
			0	1	2	3	4
✓ DCI Precision Comfort Syringe and tubing							
✓ HP Tubing 4 Hole Asepsis							
<input type="checkbox"/> ISO-C 6-Pin Standard 2 HP Illumination System (Includes a 9481 tubing)		9903					
<input type="checkbox"/> ISO 5-Hole Standard 2 HP Illumination System (Includes a 9976 tubing)		9898					
<input type="checkbox"/> ISO-C 6-Pin Economy HP Illumination System (Includes a 9481 tubing)		9878					
<input type="checkbox"/> ISO 5-Hole Economy HP Illumination System (Includes a 9976 tubing)		9883					
<input type="checkbox"/> Additional ISO-C 6-Pin Tubing Option for Illumination Systems		9481					
<input type="checkbox"/> Additional ISO 5-Hole Tubing Option for Illumination Systems		9976					
✓ Individual Drive air controls							
✓ Foot Control							
✓ 6 foot of 1/2" Umbilical							
<input type="checkbox"/> Add scaler / chip air button to foot control		4346					



4506 / 4502

Step 3 Configure Your Mounting Style

		Part Number
<input type="checkbox"/>	Control Mount Bracket (for use with rigid arms)	8336 White / 8634 Gray
<input type="checkbox"/>	Rigid Arm, 6"	8337 White / 8303 Gray
<input type="checkbox"/>	Rigid Arm, 8", Dual Pivot Arm	8338 White / 8304 Gray
<input type="checkbox"/>	Rigid Arm, 12"	8356 White / 8306 Gray
<input type="checkbox"/>	Rigid Arm, 16"	8357 White / 8307 Gray
<input type="checkbox"/>	Surface mount bracket vertical (for use with rigid arms)	8378 White / 8308 Gray
<input type="checkbox"/>	Surface mount bracket horizontal (for use with rigid arms)	8379 White / 8309 Gray
<input type="checkbox"/>	Surface mount bracket under counter mount (for use with rigid arms)	4289 White / 4291 Gray
<input type="checkbox"/>	Post Mount, 2" (for use with rigid arms)	8259 White / 8253 Gray
<input type="checkbox"/>	Post Top Mount, 2" (for use with rigid arms)	8489 White / 8294 Gray

Step 4 Select Your Additional Options

<input type="checkbox"/>	Economy clean water system	8139QS	
<input type="checkbox"/>	Asepsis Dual clean water system	8178QS	



8634, 8303, 4291



8634, 8304, 8294



8634, 8304, 8308

• Other mounting combinations possible



- Can mount on 2" Post
- Precision Comfort® Syringe
- 6 ft. 1/2" Umbilical
- 4-Hole Straight Gray Tubing is Standard, with other tubing styles and colors available upon request.
- Dimensions: 6" x 4 1/4" x 2 1/4"

✓ - Standard Features □ - Choose Your Option

Part Number

Step 1 Select Your Delivery Unit

DCI II manual control for 2 handpiece, 2 Wet	<input type="checkbox"/>	4106	White
DCI II manual control for 2 handpiece 1 Wet & 1 Dry	<input type="checkbox"/>	4102	White

Step 2 Configure Your Control Head Options

	(All tubings are Gray. If nothing is selected - highlighted positions will be used)	Part Number	Handpiece Positions				
			0	1	2	3	4
✓ DCI Precision Comfort Syringe and tubing							
✓ HP Tubing 4 Hole Asepsis							
<input type="checkbox"/> ISO-C 6-Pin Standard 2 HP Illumination System (Includes a 9481 tubing)		9903					
<input type="checkbox"/> ISO 5-Hole Standard 2 HP Illumination System (Includes a 9976 tubing)		9898					
<input type="checkbox"/> ISO-C 6-Pin Economy HP Illumination System (Includes a 9481 tubing)		9878					
<input type="checkbox"/> ISO 5-Hole Economy HP Illumination System (Includes a 9976 tubing)		9883					
<input type="checkbox"/> Additional ISO-C 6-Pin Tubing Option for Illumination Systems		9481					
<input type="checkbox"/> Additional ISO 5-Hole Tubing Option for Illumination Systems		9976					
✓ Individual Drive air controls							
✓ Economy Foot Control							
✓ 6 foot of 1/2" Umbilical							
<input type="checkbox"/> Add scaler / chip air button to foot control		4346					



4102 / 4106

Step 3 Configure Your Mounting Style

	Part Number
<input type="checkbox"/> Control Mount Bracket (for use with rigid arms)	8336 White / 8634 Gray
<input type="checkbox"/> Rigid Arm, 6"	8337 White / 8303 Gray
<input type="checkbox"/> Rigid Arm, 8", Dual Pivot Arm	8338 White / 8304 Gray
<input type="checkbox"/> Rigid Arm, 12"	8356 White / 8306 Gray
<input type="checkbox"/> Rigid Arm, 16"	8357 White / 8307 Gray
<input type="checkbox"/> Surface mount bracket vertical (for use with rigid arms)	8378 White / 8308 Gray
<input type="checkbox"/> Surface mount bracket horizontal (for use with rigid arms)	8379 White / 8309 Gray
<input type="checkbox"/> Surface mount bracket under counter mount (for use with rigid arms)	4289 White / 4291 Gray
<input type="checkbox"/> Post Mount, 2" (for use with rigid arms)	8259 White / 8253 Gray
<input type="checkbox"/> Post Top Mount, 2" (for use with rigid arms)	8489 White / 8294 Gray

Step 4 Select Your Additional Options

<input type="checkbox"/> Economy clean water system	8139QS	
<input type="checkbox"/> Asepsis Dual clean water system	8178QS	



8634, 8303, 8306, 8253



8634, 8308



8634, 8304, 8303, 8308



- Individual drive air & water coolant controls
- Precision Comfort® Syringe
- Wet/Dry foot control
- Control dimensions: 8 1/2" x 1 3/4" x 5"
- Cut-out dimensions: 7 1/2" x 1 1/2"
- Horizontal system can be mounted to top or bottom of surface
- 4-Hole Straight Gray Tubing is Standard, with other tubing styles and colors available upon request.

✓ - Standard Features □ - Choose Your Option

		Part Number	
Step 1 Select Your Delivery Unit			
Panel Mount Automatic Control for 3 HP	<input type="checkbox"/>	4415	White
Horizontal Mount Automatic Control for 3 HP	<input type="checkbox"/>	4416	White

Step 2 Configure Your Control Head Options							
<i>(All tubings are Gray. If nothing is selected - highlighted positions will be used)</i>		Part Number	Handpiece Positions				
			0	1	2	3	4
✓	DCI Precision Comfort Syringe and tubing						
✓	HP Tubing 4 Hole Asepsis						
<input type="checkbox"/>	ISO-C 6-Pin Deluxe 3 HP Illumination System (Includes a 9481 tubing)	9886					
<input type="checkbox"/>	ISO 5-Hole Deluxe 3 HP Illumination System (Includes a 9976 tubing)	9891					
<input type="checkbox"/>	ISO-C 6-Pin Standard 2 HP Illumination System (Includes a 9481 tubing)	9903					
<input type="checkbox"/>	ISO 5-Hole Standard 2 HP Illumination System (Includes a 9976 tubing)	9898					
<input type="checkbox"/>	ISO-C 6-Pin Economy HP Illumination System (Includes a 9481 tubing)	9878					
<input type="checkbox"/>	ISO 5-Hole Economy HP Illumination System (Includes a 9976 tubing)	9883					
<input type="checkbox"/>	Additional ISO-C 6-Pin Tubing Option for Illumination Systems	9481					
<input type="checkbox"/>	Additional ISO 5-Hole Tubing Option for Illumination Systems	9976					
✓	Individual Drive air & water coolant controls						
✓	Wet/Dry Foot Control						
✓	6 foot of 1/2" Umbilical						
<input type="checkbox"/>	Add scaler / chip air button to foot control	4346					



4415



4416

Step 3 Select Your Additional Options

<input type="checkbox"/>	Holder Bar, Under Counter Swing Mount, White	4445
<input type="checkbox"/>	Asepsis Dual clean water system	8178QS
<input type="checkbox"/>	Economy clean water system	8139QS
<input type="checkbox"/>	Wall & Cabinet Mount Assistant's Instrumentation Premium Precision Comfort	5432
<input type="checkbox"/>	Precision Comfort Assistant's Package, 2 HVE, SE, SYR	5364
<input type="checkbox"/>	Vertical Mount Assistant's Holders, 4 Position	5373



4445



8178QS



8139QS



- Individual drive air & water coolant controls
- Precision Comfort® Syringe
- Economy foot control
- Control dimensions: 8 1/2" x 1 3/4" x 5"
- Cut-out dimensions: 7 1/2" x 1 1/2"
- Horizontal system can be mounted to top or bottom of surface
- 4-Hole Straight Gray Tubing is Standard, with other tubing styles and colors available upon request.

✓ - Standard Features □ - Choose Your Option

Part Number

Step 1 Select Your Delivery Unit

Panel Mount Manual Control for 2 HP	<input type="checkbox"/>	4400	White
Horizontal Mount Manual Control for 2 HP	<input type="checkbox"/>	4401	White

Step 2 Configure Your Control Head Options

	(All tubings are Gray. If nothing is selected - highlighted positions will be used)	Part Number	Handpiece Positions				
			0	1	2	3	4
✓ DCI Precision Comfort Syringe and tubing							
✓ HP Tubing 4 Hole Asepsis							
<input type="checkbox"/> ISO-C 6-Pin Standard 2 HP Illumination System (Includes a 9481 tubing)		9903					
<input type="checkbox"/> ISO 5-Hole Standard 2 HP Illumination System (Includes a 9976 tubing)		9898					
<input type="checkbox"/> ISO-C 6-Pin Economy HP Illumination System (Includes a 9481 tubing)		9878					
<input type="checkbox"/> ISO 5-Hole Economy HP Illumination System (Includes a 9976 tubing)		9883					
<input type="checkbox"/> Additional ISO-C 6-Pin Tubing Option for Illumination Systems		9481					
<input type="checkbox"/> Additional ISO 5-Hole Tubing Option for Illumination Systems		9976					
✓ Individual Drive air & water coolant controls							
✓ Economy Foot Control							
✓ 6 foot of 1/2" Umbilical							
<input type="checkbox"/> Add scaler / chip air button to foot control		4346					



4400



4401

Step 3 Select Your Additional Options

<input type="checkbox"/>	Holder Bar, Under Counter Swing Mount, White	4445
<input type="checkbox"/>	Asepsis Dual clean water system	8178QS
<input type="checkbox"/>	Economy clean water system	8139QS
<input type="checkbox"/>	Wall & Cabinet Mount Assistant's Instrumentation Premium Precision Comfort	5432
<input type="checkbox"/>	Precision Comfort Assistant's Package, 2 HVE, SE, SYR	5364
<input type="checkbox"/>	Vertical Mount Assistant's Holders, 4 Position	5373



5432



5373 / 5364



4378

Automatic Control Unit, 3 HP, for A-dec® Cascade®

The Arm Mounted Automatic Control Unit features a new, simplified design with straightforward internals such as a single diaphragm control block without any moving pistons, springs, or O-rings and a simple combination valve for water flow control. This unit is a direct replacement for A-dec® Cascade® models.

- Quick install that takes less than an hour
- Replacement for A-dec® Cascade®
- 12 ft. color matched internal umbilical
- Color matched to original A-dec® Surf
- Individual Non-retracting Water Coolant
- Includes Precision Comfort® Syringe

✓ - Standard Features - Choose Your Option

Part Number

Step 1 Choose Your Delivery Unit

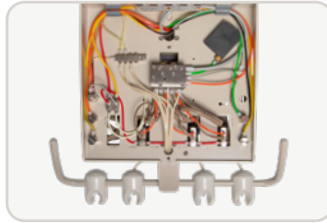
Arm Mounted Automatic Control Unit for 3 HP, to Fit A-dec® Cascade®	<input type="checkbox"/>	4378	Surf
---	--------------------------	------	------

A-dec® and Cascade® are registered trademarks of A-dec®, Inc. These parts are manufactured by DCI to fit A-dec® equipment. DCI has no affiliation with A-dec® and A-dec® has not authorized DCI replacement parts to be used on or in connection with A-dec® products.



Direct Replacement

PN 4378, Arm-Mounted Automatic Control Unit is a direct replacement for all Cascade® models with a 2" head mount. The smooth asepsis design, sand color, and standard features make it perfect for replacing a standard Cascade® unit.



Simplified Design

The simplified design adds individual water flow control holders for easier upkeep and a more reliable robust mount.



Matching Features

This three HP automatic unit comes with an air/water syringe, individual water flow control, chip air adjustment, flush system, and brake activation on the left and right side of the head.

The Arm Mounted Automatic Control Unit comes standard with a full length 12' umbilical

If the original umbilical is damaged, string the new one to the junction box or cut the umbilical short. Then, match the colors and align them together at the upper 2" control mount.



4378

A-dec® and Cascade® are registered trademarks of A-dec®, Inc. These parts are manufactured by DCI to fit A-dec® equipment. DCI has no affiliation with A-dec® and A-dec® has not authorized DCI replacement parts to be used on or in connection with A-dec® products.



4446

Pelton & Crane® Executive Conversion Kit

Direct-fit replacement for Pelton & Crane® OEM Executive Unit with a modern upgrade. The P&C Executive Conversion Kit can also be used as a slide-out dental unit, on any cabinet with a 12.5" opening.

- Precision Comfort® Premium Autoclavable Vacuum Valves, 2 HVE, 1 SE
- Includes 8323 utility center
- Automatic handpiece holders w/ manual lockout toggle
- Variable speed disc-type foot control w/ wet/dry toggle
- Precision Comfort® three-way syringe
- Dimensions: 12 1/2" x 18" x 4 1/2"
- 6 ft. Umbilical

✓ - Standard Features - Choose Your Option

Part Number

Step 1 Choose Your Delivery Unit

Pelton & Crane Executive Conversion Kit	<input type="checkbox"/>	4446
---	--------------------------	------



6559



4198

Air & Water Auxiliary QD Panel

- 1/4" Water quick connect w/ flow control
- 3/8" Air quick connect w/ on/off switch
- Dimensions: 3" x 4"
- Available in white or gray

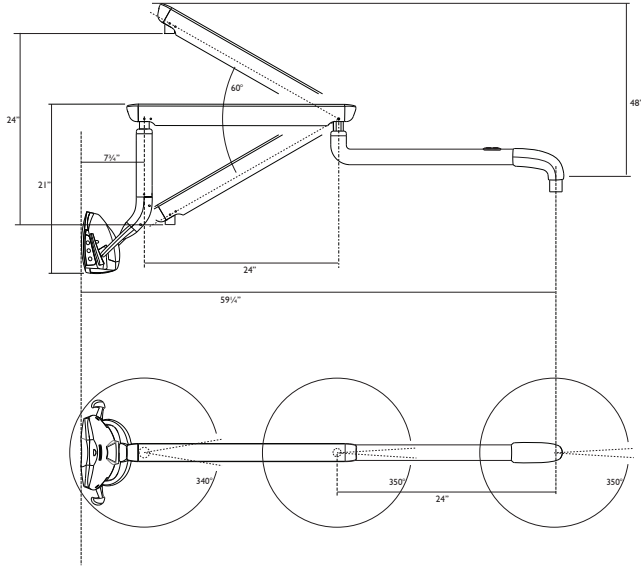
Laboratory Handpiece Control Kit

- Requires air only
- 4-hole handpiece tubing
- Handpiece holder & bar
- Economy foot control
- Air regulator w/ gauge

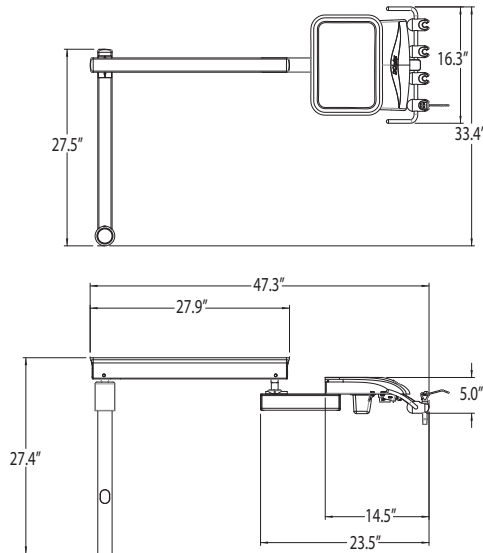
✓ - Standard Features □ - Choose Your Option

		Part Number
Step 1 Choose Your Delivery Unit		
Air & Water Auxiliary QD Panel	<input type="checkbox"/>	6569 White
	<input type="checkbox"/>	6559 Gray
Laboratory Handpiece Control Kit	<input type="checkbox"/>	4198 Gray

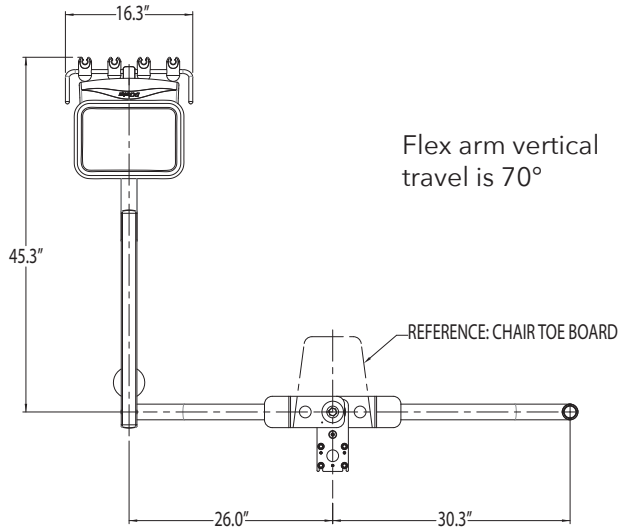
Reliance LED Operatory Post Mount Light



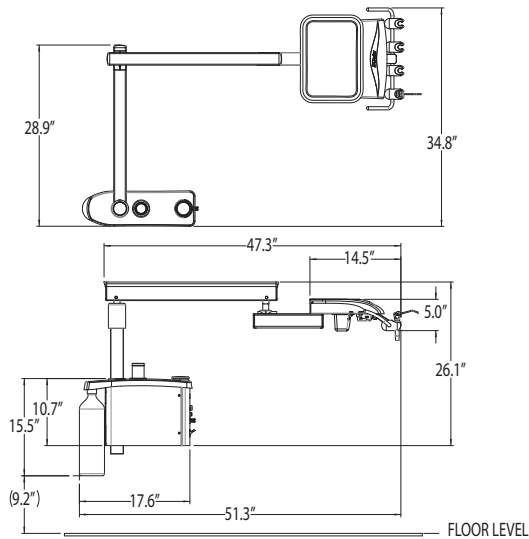
Reliance Over the Patient Automatic Delivery System



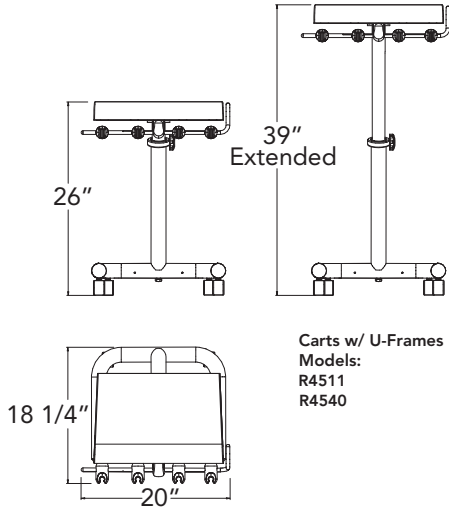
Reliance Swing Mount Pole
w/ Automatic Delivery System & Light Pole



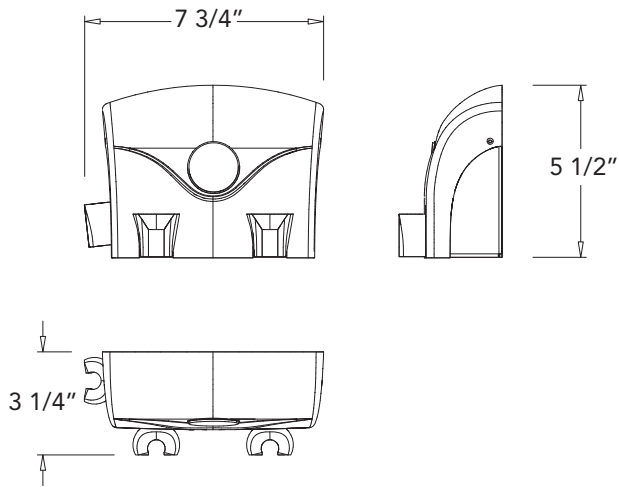
Reliance Over the Patient Automatic Delivery System
w/ PMU & Assistant's Package



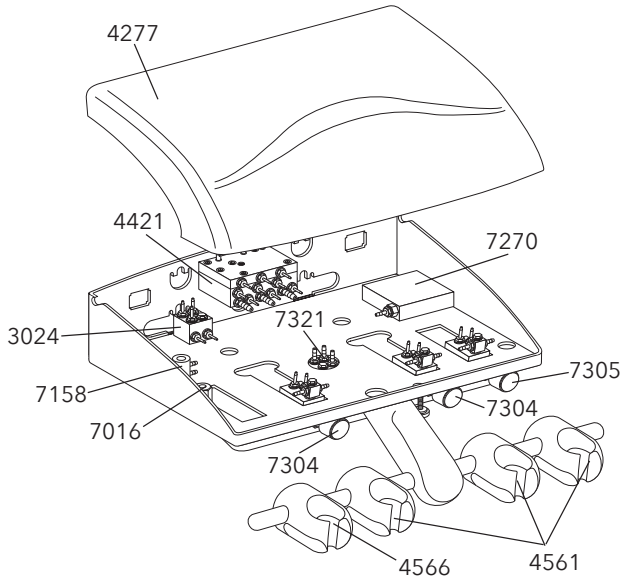
Reliance Automatic Cart



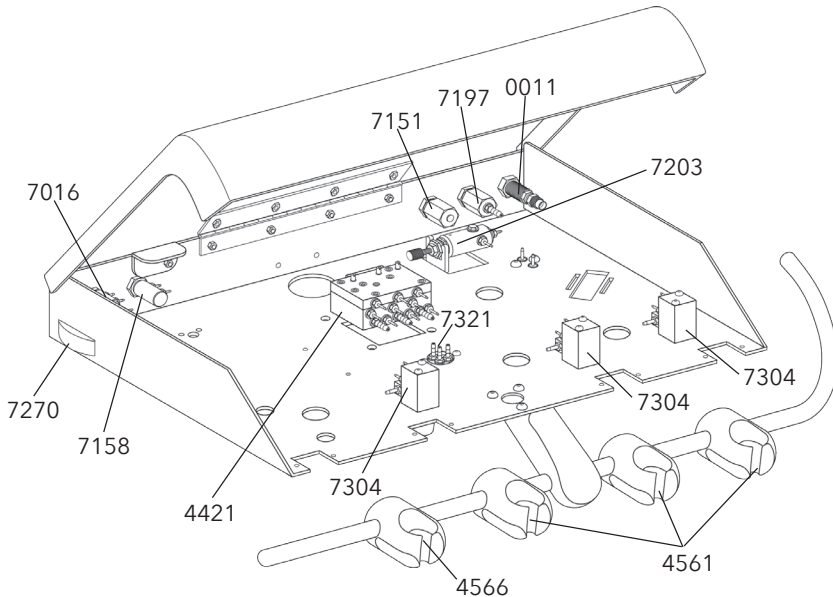
DCI III Manual Unit 4502



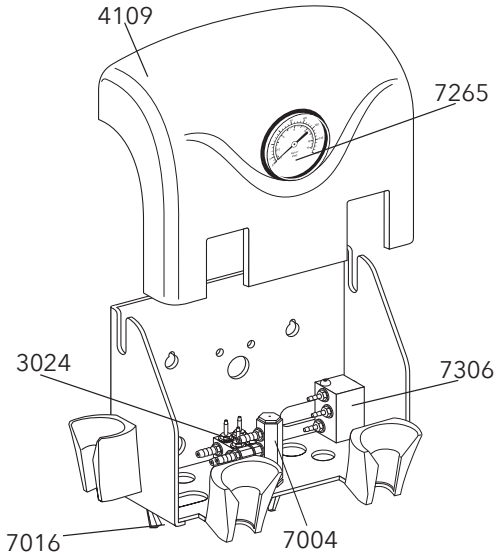
Reliance Automatic Control



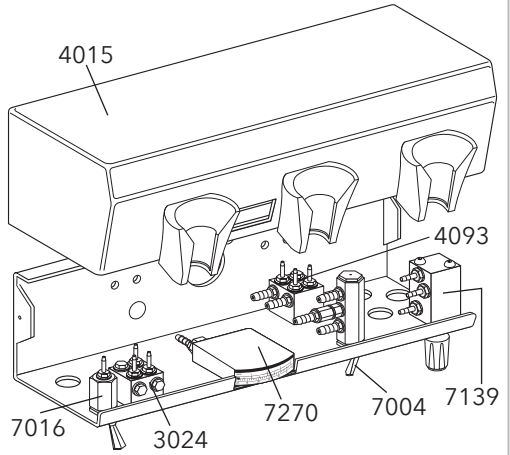
Reliance Automatic Cart Unit R4511, R4540 & R4542



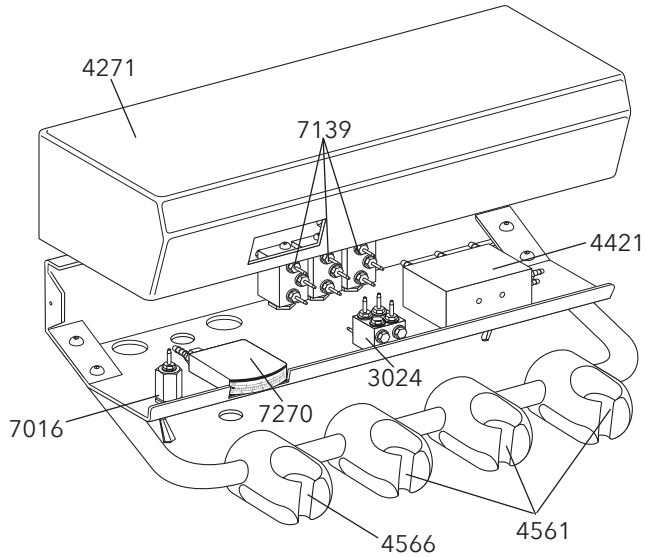
DCI III Manual Unit 4502



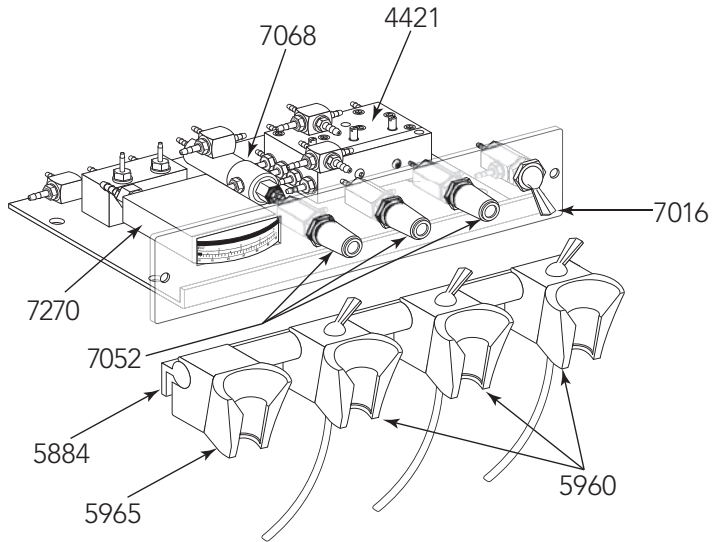
Alternative Manual Control 4120 & 4121



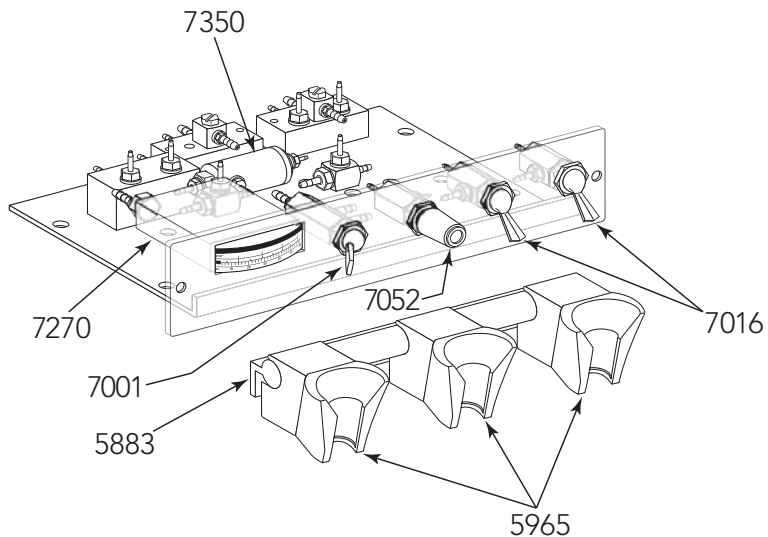
Alternative Automatic Control 4370



Panel & Horizontal Surface Mount Control 4415 & 4416



Panel & Horizontal Surface Mount Control 4400 & 4401





Retail pricing
available at
dciparts.com

Operator Accessories



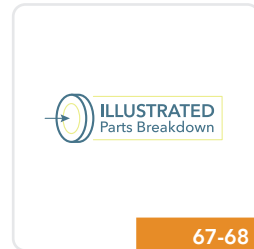
62-64

Water Systems



65-66

Water System
Accessories



67-68

Illustrated Parts
Breakdown &
Dimensional
Measurements



8143

Economy Self-Contained Water Systems

The **Economy Self-Contained Water Systems** are pressure-controlled by an adjustable regulator and feature a gauge that displays the bottle pressure. They can be mounted to any flat vertical surface as well as the capability to be attached to a post-mount. The available water systems are now available with the built-in quick-switch option.

FEATURED



8143

Economy Self-Contained Water Systems

PN **8143** 2-Liter Deluxe System

PN **8143QS** 2-Liter Deluxe System w/ Quick-Switch

- Deluxe models have a selector toggle allowing you to switch between city & bottled water
- 750 ml & 2 liter heavy duty bottles
- Standard 28mm thread or patented quick-switch system for water bottle
- Gauge 7260 shows bottle pressure
- Bracket mounts to any flat vertical surface
- Optional post-mount available
- On/off toggle releases bottle pressure

Water System Quick-Switch



▲ Push the bottle up into the cylinder opening



↪ Twist bottle to the right until it clicks in

Now offering the quick-switch bottle system integrated into the clean water systems for your convenience. The QS system allows you to remove and replace water bottles with speed and ease.

FEATURED

Economy Self-Contained Water Systems



- PN **8144** 2-Liter Standard System
- PN **8144QS** 2-Liter Standard System w/ Quick-Switch
- PN **8143** 2-Liter Deluxe System
- PN **8143QS** 2-Liter Deluxe System w/ Quick-Switch
- PN **4788** 1-Liter Deluxe System
- PN **8145** 750-ml Standard System (includes extra bottle)
- PN **8145QS** 750-ml Standard System w/ Quick-Switch (includes extra bottle)
- PN **8139** 750-ml Deluxe System (includes extra bottle)
- PN **8139QS** 750-ml Deluxe System w/ Quick-Switch (includes extra bottle)
- PN **8137** Adapter to Mount Water System to 2" Post Anodized Aluminum
- PN **8162** Adapter to Mount Water System to 2" Post White Powder Coat

- Deluxe models have a selector toggle allowing you to switch between city & bottled water
- 750 ml & 2 liter heavy duty bottles
- Standard 28mm thread or patented quick-switch system for water bottle
- Gauge 7260 shows bottle pressure
- Bracket mounts to any flat vertical surface
- Optional post-mount available
- On/off toggle releases bottle pressure

FEATURED

Asepsis Self-Contained Water Systems



8178



8162



8184QS

- PN **8177** Dual 750-ml Asepsis Standard System
- PN **8177QS** Dual 750-ml Asepsis Standard System w/ Quick-Switch
- PN **8178** Dual 750-ml Asepsis Deluxe System
- PN **8178QS** Dual 750-ml Asepsis Deluxe System w/ Quick-Switch
- PN **8179** Dual 2-liter Asepsis Standard System
- PN **8179QS** Dual 2-Liter Asepsis Standard System w/ Quick-Switch
- PN **8180** Dual 2-liter Asepsis Deluxe System
- PN **8180QS** Dual 2-Liter Asepsis Deluxe System w/ Quick-Switch
- PN **8181** Single 750-ml Asepsis Standard System (includes extra bottle)
- PN **8181QS** Single 750-ml Asepsis Standard System w/ Quick Switch (includes extra bottle)
- PN **8182** Single 750-ml Asepsis Deluxe System (includes extra bottle)
- PN **8182QS** Single 750-ml Asepsis Deluxe System w/ Quick Switch (includes extra bottle)
- PN **8183** Single 2-liter Asepsis Standard System
- PN **8183QS** Single 2-Liter Asepsis Standard System w/ Quick-Switch
- PN **8184** Single 2-liter Asepsis Deluxe System
- PN **8184QS** Single 2-Liter Asepsis Deluxe System w/ Quick-Switch
- PN **8137** Adapter to Mount Water System to 2" Post Anodized Aluminum
- PN **8162** Adapter to Mount Water System to 2" Post White Powder Coat
- PN **8928** Asepsis Self-Contained Deluxe Single Water System w/ 2 Liter Bottle & 2" Clamp
- PN **8928QS** Asepsis Self-Contained Deluxe QS Single Water System
 - Deluxe models have a selector toggle allowing you to switch between city & bottled water
 - Models for 750-ml & 2-liter bottles
 - Standard 28mm thread or patented quick-switch system for water bottle
 - Pressure gauge 7265
 - Mounts to vertical surfaces
 - Optional post-mount available
 - On/off toggle releases bottle pressure
 - Air purge toggle
 - Metal cover w/ white powder coat finish

FEATURED

DCI Quick-Switch Water Bottle System



- PN **8941** Kit (contains converter & adapter)
 - PN **8942** Converter, Manifold QS w/ O-Ring
 - PN **8943** Adapter, Bottle QS w/ Washer
 - PN **8944** Adapter, Bottle QS (pkg of 5)
 - PN **2297** O-Ring for Converter Manifold (pkg of 12)
 - PN **8134QS** Universal Quick-Switch Manifold w/Barbs
 - PN **4790** Quick-Switch Manifold Assy w/ Gauge Port
 - PN **8946** Integrated Quick-Switch Manifold
 - PN **8947** Cap 1.5 Diameter (for QS bottle)
- Easy installation requires no tools
 - Saves time in changing bottles
 - Self-locking feature ensures proper positioning when pressurized
 - Automatic pressure release when removing bottle
 - Patented design exclusive to DCI

FEATURED

Heavy-Duty Bottles for Dental Unit Water Systems

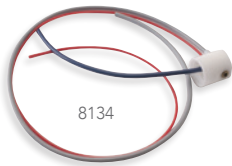


- PN **8128** 750 ml Plastic Bottle w/ Cap & Pick-Up Tube
- PN **8669** 1-Liter Plastic Bottle w/ Cap & Pick-Up Tube
- PN **6934** 1.5 Liter Bottle w/Cap & Pick-up Tube
- PN **8669QS** 1-Liter Plastic Bottle w/Quick-Switch Bottle Adapter
- PN **8164** 2-Liter Plastic Bottle w/ Cap & Pick-Up Tube
- PN **8126** Bottle Cap (for screw-on bottle)

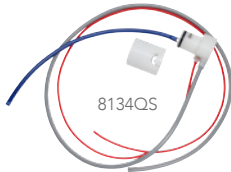
Standard Bottles

- Heavy wall construction, safely operated at normal water system pressure
- High Density Polyethylene (HDPE) is compatible w/ coolant liquids used in dentistry
- Can be used on most Dental Systems (w/ the Universal Manifold 8134 or 8119)
- Bottle dimensions:
(750-ml, 3" W x 9 1/2" H),
(1-liter, 3 1/2"W x 11" H),
(2-liter, 4" W x 13 7/8" H)
- Standard 28 mm threads
- Washer now included!

FEATURED



8134



8134QS



8136

Water System Component Parts

- PN **0165** Barb, 1/16" for Water System Manifold
- PN **0166** Barb, 1/8" for Water System Manifold
- PN **8134** Universal Manifold w/ Barbs (fits most dental water systems)
- PN **8134QS** Universal Quick-Switch Manifold with Barbs
- PN **8136** Manifold Washer
• .720 ID x 1.063 OD
- PN **8146** Manifold Assembly w/ 750 ml Bottle for Water Systems
- PN **8147** Manifold Assembly w/ 2 Liter Bottle for Water Systems
- PN **8119** Universal Manifold, Long Self Centering Neck, w/ Barbs
- PN **8037** Pick-up Tube for 750 ml Bottle
- PN **8038** Pick-up Tube for 2 L Bottle
- PN **8039** Pick-up Tube for 1 L Bottle



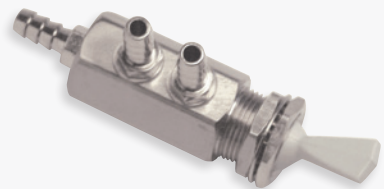
TECH TIP

Is your water bottle filling up with water?

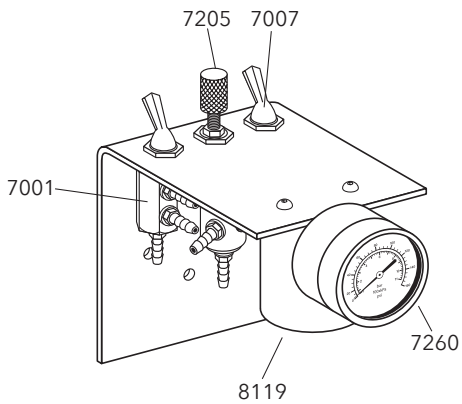
Water leaking out of the on/off toggle?

Air in the water?

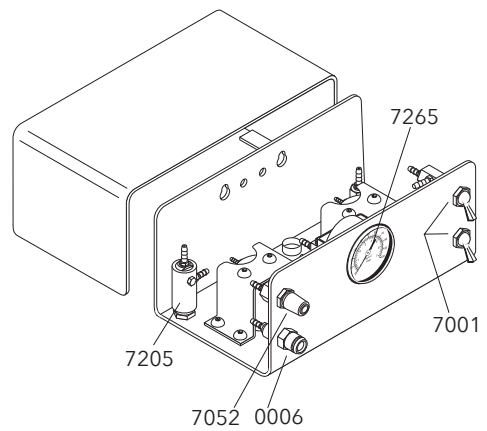
One of the more common failures of water bottle systems is the routing valve. Routing toggles are used in multiple places on the water bottle system; the purge, bottle selector and city/bottle selector. A failure of the purge can cause an air/water crossover condition while a failure of the city/bottle switch can cause a bottle to fill up, resulting in water getting into the on/off toggle and leaking out. Replace routing valve with PN 7001.



Economy Self-Contained Water System 8143



Asepsis Self-Contained Water System 8178



Part numbers	Dimensions
8144, 8143	3" x 5" x 16"
8145, 8139	3" x 5" x 12"
8177, 8178	8 1/4" x 4 1/2" x 13"
8179, 8180	8 1/4" x 4 1/2" x 17"
8181, 8182	5" x 4 1/2" x 13"
8183, 8184	5" x 4 1/2" x 17"



Retail pricing
available at
dciparts.com

Handpiece Accessories & Power Optics



70-75

Handpiece
Light Source Systems



76

Replacement
Handpiece Bulbs



77-78

Handpiece Connectors,
Gaskets & Tools



79

Handpiece
Flush System



80-81

DCI Handpiece Blocks
& Accessories



82

Handpiece Tubing

Handpiece Acc.
& Power Optics



9887

New Deluxe and Economy System Kits

The New Handpiece Illumination Systems are available in Deluxe 3, Standard Dual, and Economy Single Handpiece Light Source System. These systems feature a voltage regulation and variable voltage output, which ensures a longer bulb life as well as adaptation to many manufacturers' handpiece voltage requirements.

FEATURED

ISO-C 6-Pin Deluxe 3 HP Illumination System, 7'



9886

<u>DARK SURF</u>	<u>GRAY</u>	<u>LT SAND</u>	<u>STERLING</u>	<u>BLACK</u>
9887	9886	9894	9885	9888

Kit includes:

- 8311** Deluxe 3 Handpiece Light Source System
- 9358** Transformer, 120 VAC 50/60 HZ, Output 9VDC 2.2A
- 9499** 5-Hole to 6-pin Converter
- Universal ISO-C 6-Pin Power Optic Tubing, 7ft

ISO 5-Hole Deluxe 3 HP Illumination System, 7'



9893

<u>DARK SURF</u>	<u>GRAY</u>	<u>LT SAND</u>	<u>STERLING</u>	<u>BLACK</u>
9892	9891	9890	9889	9893

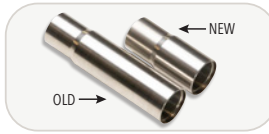
Kit includes:

- 8311** Deluxe 3 Handpiece Light Source System
- 9358** Transformer, 120 VAC 50/60 HZ, Output 9VDC 2.2A
- 9395** Universal Tubing LED Bulb 3.5v DC
- Universal ISO-C 6-Pin Power Optic Tubing, 7ft
 - Preset at 3.5v DC

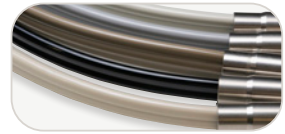
5-Hole & 6-Pin Illumination Systems



Easily toggle between 6-Pin and 5-Hole Each system features tubings that can be easily converted at the handpiece terminal.



Reduces Wrist Fatigue
The shorter terminal nut for the 5-hole tubings creates less weight on the wrist.



5 Colors Available
Our selection of tubing colors are great for matching popular manufacturer colors.

FEATURED

ISO-C 6-Pin Standard 2 HP System, 7' Tubing

<u>DARK SURF</u>	<u>GRAY</u>	<u>LT SAND</u>	<u>STERLING</u>	<u>BLACK</u>
9902	9903	9904	9905	9901

Kit includes:

- 9348 Standard Dual Handpiece Light Source System
- 9358 Transformer, 120 VAC 50/60 HZ, Output 9VDC 2.2A
- 9499 5-Hole to 6-pin Converter Universal ISO-C 6-Pin Power Optic Tubing, 7ft



9905

ISO 5-Hole Standard 2 HP System, 7' Tubing

<u>DARK SURF</u>	<u>GRAY</u>	<u>LT SAND</u>	<u>STERLING</u>	<u>BLACK</u>
9897	9898	9899	9900	9896

Kit includes:

- 9348 Standard Dual Handpiece Light Source System
- 9358 Transformer, 120 VAC 50/60 HZ, Output 9VDC 2.2A
- 9395 Universal Tubing LED Bulb 3.5v DC
 - Preset at 3.5v DC



9896

FEATURED

ISO-C 6-Pin Economy 1 HP System, 7' Tubing

<u>DARK SURF</u>	<u>GRAY</u>	<u>LT SAND</u>	<u>STERLING</u>	<u>BLACK</u>
9879	9878	9877	9876	9880

Kit includes:

- 8313 Economy Single Handpiece Light Source System
- 9358 Transformer, 120 VAC 50/60 HZ, Output 9VDC 2.2A
- 9499 5-Hole to 6-pin Converter Universal ISO-C 6-Pin Power Optic Tubing, 7ft



9878

ISO 5-Hole Economy 1 HP System, 7' Tubing

<u>DARK SURF</u>	<u>GRAY</u>	<u>LT SAND</u>	<u>STERLING</u>	<u>BLACK</u>
9884	9883	9882	9881	9895

Kit includes:

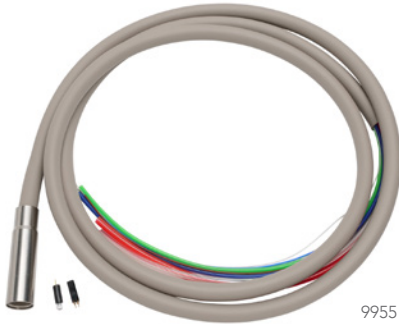
- 8313 Economy Single Handpiece Light Source System
- 9358 Transformer, 120 VAC 50/60 HZ, Output 9VDC 2.2A
- 9395 Universal Tubing LED Bulb 3.5v DC
 - Preset at 3.5v DC



9895

FEATURED SHEATHED TUBING KIT

Sheathed 5-Hole & 6-Pin Tubing Kit



9955

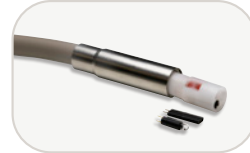
The Sheathed 5-Hole & 6-Pin Tubing Kit comes with the tubing bundle, adaptor and bulb. These kits can be used as direct replacements for popular manufacturers' swivel tubing.



Strong and easy to clean.
The Silcryn™ tubing features a supple finish which helps it gracefully glide along other tubing and surfaces, a velvety matte finish that looks great in any operator.



3 Colors Available
Our selection of tubing colors are great for matching popular manufacturer colors.



Easily toggle between 6-Pin and 5-Hole
Each system features tubings that can be easily converted at the handpiece terminal.

Sheathed 5-Hole & 6-Pin Tubing Kit

DARK SURF	GRAY	STERLING	
9955	9957	9959	5.5'
9956	9958	9960	7'

Kit includes:

- 9499 5-Hole to 6-pin Converter, HP Tubing
- 9395 Universal Tubing LED Bulb 3.5v DC
 - Requires 3.5v DC

FEATURED

Universal ISO-C 6-Pin Power Optics Tubing Kit



9475

DARK SURF	GRAY	LT SAND	STERLING	BLACK	
9475	9476	9477	9478	9479	5' L
9480	9481	9482	9483	9484	7' L
9485	9486	9487	9488	9873	10' L
9489	9490	9491	9492	9872	12' L

Kit includes:
9499 5-Hole to 6-Pin Converter

FEATURED

Universal ISO 5-Hole Power Optics Tubing Kit



9970

DARK SURF	GRAY	LT SAND	STERLING	BLACK	
9970	9971	9972	9973	9974	5' L
9975	9976	9977	9978	9979	7' L
9980	9981	9982	9983	9875	10' L
9984	9985	9986	9987	9874	12' L

Kit includes:
9395 Universal Tubing LED Bulb 3.5v DC
 • Requires 3.5v DC

FEATURED

Universal Power Optic Tubing Converter & Bulb



9499

PN **9499** 5-Hole to 6-pin Converter for HP Tubing
 PN **9395** Universal Tubing LED Bulb 3.5v DC
 • Fits DCI Universal ISO-C/ISO tubing, Midwest XGT, Stylus & Stylus ATC handpieces, and Beaverstate

Discover DCI's Power Optic System

Any power, any light, any time!



Connects to a wide range of existing power supplies



Extended bulb life



Instant-on setting for LED Bulbs

Deluxe 3 Handpiece Light Source System



8311

PN **8353** Deluxe Power Pack 3 Position w/ Transformer

PN **8311** Deluxe Power Pack 3 Position

PN **9358** 120V to 9VDC 2.2 Amp Transformer

- Input Voltage of 7.5-9 VAC/DC, 1.2-2.2 Amp (Not polarity sensitive)
- Output Voltage of 2.6-5.5V, 1.2 Amp
- Voltage ramps up to improve bulb life
- Activation with Positive or Negative Air Pressure
- 10 Preset Output Voltages (No Meter Required)
- Instant on and adjustable delay settings
- Powers up to 3 Handpieces
- Small Compact Size 3 1/8" x 2 1/4" x 1"



9378

Standard Dual Handpiece Light Source System

PN **9378** Deluxe Dual Handpiece Power Pack w/ Transformer

PN **9348** Deluxe Dual Handpiece Power Pack



8313

Integrated adjustable voltage regulator

Economy Single Handpiece Light Source System

PN **8404** Deluxe Single Power Pack w/Transformer

PN **8313** Deluxe Single Power Pack

PN **9358** 120V to 9VDC 2.2 Amp Transformer

- Input Voltage of 7.5-9 VAC/DC, 1.2-2.2 Amp (Not polarity sensitive)
- Output Voltage of 2.5-4.2V 1.2 Amp
- Positive Activation Pressure
- Variable Voltage Output Powers 1 Handpiece
- Small Compact Size 3" x 1" x 1"



9358

Transformer for Deluxe, Standard and Economy Circuit Power Pack

PN **9358** 120 VAC

PN **9359** 230 VAC

- 9358:** • 120V to 9VDC. 2.2 Amps
- 9359:** • 230 VAC 50/60 HZ to 9VDC. 2.2 Amps
- Comes with multiple international outlet adapters



5-Hole Lamp Module

PN **9603** LED Lamp module RED gasket for use w/ power optic tubings

PN **9604** LED Lamp module BLACK gasket (old style) for use w/ older system 6000 and DCI equipment tubings

- LED provides longer bulb life
- **9603:** Drive Air & Exhaust Ports are DIFFERENT in outer diameter
- **9604:** Drive Air & Exhaust Ports are the SAME in outer diameter



Metal Terminal Nuts

PN **8815** Terminal Nut, Short

PN **8814** Terminal Nut, Long

8815:

- For use on power optic tubing using no lamp module
- Converts ISO to ISO-C tubing
- Metal construction, threaded

8814:

- For use on ISO power optic tubing w/ lamp module 8813
- Converts ISO-C to ISO style tubing
- Metal construction, threaded



Fiber Optic Tubing Bundles

Straight Asepsis Tubing w/ Ground Wire for Touch System

GRAY	LT SAND	TUBING	BUNDLE
451	360	6'	8'
453	361	7'	10'
455	362	7'	14'
459	364	12'	14'

Straight Asepsis Tubing w/ 180° Swivel

582	583	7'	—
-----	-----	----	---

FEATURED

Replacement LED Handpiece Bulbs



PN 9372 LED Bulb

- Requires 3.5 Volt DC
- Fits Kavo Turbines & Micro Motors



PN 9374 LED Bulb

- Requires 3.5 Volt DC
- Fits Bien-Air Micro Motors



PN 9373 LED Bulb

- Requires 3.5 Volt DC
- Fits Sirona Turbines & Micro Motors



PN 9395 Universal Tubing LED Bulb 3.5v DC

- Fits DCI Universal ISO-C/ISO tubing, Midwest XGT, Stylus & Stylus ATC handpieces, and Beaverstate

Replacement Handpiece Bulbs



PN 9360 Bulb

- 3.5 Volt / 750 MA
- Fits Midwest XGT, Stylus & Stylus ATC handpieces (Midwest #790257R)
- Fits DCI Universal ISO-C/ISO tubing
- Beaverstate #016-010



PN 9361 Bulb (A-dec® #0.0220.7610)

- 3.5 Volt / 750 MA
- Fits A-dec® / W & H handpieces 896, 898, 898-LE, TA-96L & TA-98L



PN 9363 Bulb (A-dec® #041.317.00)

- For handpiece tubings made after 1988
- Xenon
- Fits A-dec® 5-hole handpiece tubing
- Fits Forest #0014-067



PN 9362 Bulb

- 3.3 Volt / 4 watt
- Kavo Lux coupler previous PN 553-3881
- Current PN 1002.2928
- Dabi Atlante

A-dec® is a registered trademark of A-dec, Inc. DCI has no affiliation with A-dec and A-dec has not authorized DCI replacement parts to be used on or in connection with A-dec® products.



4-Hole Connector and Nut

- PN **120T** Nut & Metal Connector
- PN **120N** Nut Only
- PN **0120** Metal Connector Only



3-Hole Borden Connector and Nut

- PN **121T** Nut & Metal Connector
- PN **121N** Stainless Steel Nut Only
- PN **0121** Metal Connector Only



Autoclavable Handpiece Gaskets

- PN **0122** Gasket, 3-Hole Borden
- PN **0123** Gasket, 4-Hole Midwest
- PN **0124** Gasket, 5-Hole Midwest
- PN **4710** Gasket, 6-Pin for 8813 Lamp Module
- PN **4711** Gasket, 5-Hole Star
- PN **4738** Gasket, 6-Pin for 8773 Lamp Module



Handpiece Tubing Adapters

- PN **0954** 4-Hole Handpiece Tubing Inline Connector
- PN **0956** To Install a 2 or 3-Hole Borden Handpiece on a 4-Hole Connector
- PN **0957** To Install a 4-Hole Handpiece on a 2-Hole Borden Connector
- PN **0958** To Install a 4-Hole Handpiece on a 3-Hole Borden Connector



7267



4706



8625



8627



8628

Handpiece Tools

Pressure Test Gauge

PN **7267** Handpiece Pressure Gauge

PN **7281** Replacement Gauge

- Measures drive air pressure with handpiece running
- 0-100 PSI gauge
- Fits both 6 pin and 5 hole handpieces

Repair Tools

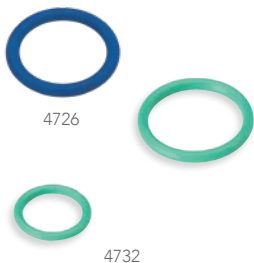
PN **4706** Waterline Clearing Device

Burr Wrenches

PN **8625** Universal, Square Drive..

PN **8627** For Midwest Quiet Air

PN **8628** For Midwest 8000 / Tradition



4726

4732

Replacement Seals & O-Rings for Handpieces

Coupler & Head Cap O-Rings

PN **4726** O-Ring for Midwest Stylus (pkg of 2)

PN **4728** O-Ring for Kavo Multiflex Coupler (pkg of 5)

PN **4731** O-Ring for NSK & Kinetic Vipor (pkg of 5)

PN **4732** O-Ring for Star 430 / Solara Coupler (pkg of 2)

PN **4733** O-Ring for Bien Air USA 5-Hole Coupler (pkg of 4)

PN **4734** O-Ring for Bien Air Euro 6-Pin Coupler (pkg of 3)

PN **4735** O-Ring for Sirona Coupler (pkg of 4)

PN **4736** O-Ring for W&H Roto Quick Couplers
904, 924, RQ-04 & RQ-24 (pkg of 3)



Replacement Assistina Filter

PN **2814** Replacement Assistina Filter (W&H # 0.02675200)

- In-line filter for 1/4" air line

DCI Handpiece Flush System



4060

PN 4060 Flush System (less adapter)

- For high speed handpieces only
- Provides regulated & filtered air for cleaning & aiding in the lubrication of handpieces
- Purges air & water coolant lines
- Compact table top model
- No foot control required
- Adjustable air pressure w/ easy to read gauge
- Bottle collects excess lubricant
- Aids in quick relubricating following autoclaving
- 35-micron filter
- Easy to clean surfaces
- Easy installation
- Requires 80 PSI, 1/4" tubing hook up
- Requires adapter - select from list below
- See page 189 for common 1/4" fittings, PN 0044 & 0053

Adapters and Accessories

PN 4087 Borden Adapter

PN 4098 Henry Schein Adapter

PN 4086 KAVO Adapter for Kavo & Lares Swivel

PN 4090 Lares Adapter

PN 4088 Midwest 4 or 5 hole Adapter

PN 4111 Midwest XGT Adapter & Stylus w/ Swivel

PN 4084 NSK Adapter

PN 4089 Star Adapter

PN 4096 W & H Adapter

PN 4080 Replacement Bottle & Cap

PN 4076 Silicone Tubing, 6" Length

Handpiece Flush Adapter O-Rings

PN 2282 O-Ring, KAVO Adapter 4086 (pkg of 12)

PN 2257 O-Ring, Borden Adapter 4087 (pkg of 12)

PN 2284 O-Ring, Borden Adapter 4087 (pkg of 12)

PN 2254 O-Ring, Star Adapter 4089 (pkg of 12)

PN 2268 O-Ring, Star Adapter 4089 (pkg of 12)

PN 2281 O-Ring, Lares Adapter 4090 (pkg of 12)

PN 2286 O-Ring, Lares Adapter 4090 (pkg of 12)

PN 2287 O-Ring, W & H Adapter 4096 (pkg of 12)

PN 2288 O-Ring, W & H Adapter 4096 (pkg of 12)

PN 2257 O-Ring, H. Schein Adapter 4098 (pkg of 12)

PN 2254 O-Ring, H. Schein Adapter 4098 (pkg of 12)

PN 2299 O-Ring, Midwest XGT Adapter 4111 (pkg of 12)

PN 2295 O-Ring, Midwest XGT Adapter 4111 (pkg of 12)



4087



4098



4086



4090



4088



4111



4084



4089

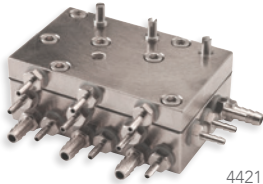


4096

FEATURED



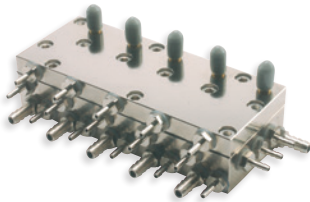
4380



4421



4428



4427

Handpiece Block Single-Piece Assembly

PN **4380** Twin-Block w/ Long Adjustment Screws

PN **4382** Twin-Block w/ Std. Adjustment Screws

PN **4421** Tri-Block w/ Std. Adjustment Screws

PN **4435** Tri-Block w/ Long Adjustment Screws

- Used on DCI Edge Series 4/5 Delivery Systems

PN **4425** Quad-Block w/ Std. Adjustment Screws

PN **4438** Quad-Block w/ Long Adjustment Screws

- Used on DCI Edge Series 4/5 Delivery Systems

PN **4428** Quad-Block, Series 5, Knurled Adjustment Screws

PN **4427** Quin-Block w/Std. Adjustment Screws

PN **4432** Drive Air Adjusting Screw

PN **4426** Mounting Bracket

- Works with normally closed automatic handpiece holders
- Consistent flow control for handpiece pressure adjustments
- Higher output due to improved airflow
- Longer lasting diaphragm
- No internal cross-over of air or water
- Twin-Block dimensions, 1 1/2" x 1 1/2" x 1"
- Tri-Block dimensions, 2 3/8" x 1 1/2" x 1"
- Quad-Block dimensions, 3 1/8" x 1 1/2" x 1"
- Quin-Block dimensions, 3 3/4" x 1 1/2" x 1"

DCI Automatic Handpiece Block Diaphragms



4430

- PN 4381 Diaphragm, Twin-Block
- PN 4430 Diaphragm, Tri-Block
- PN 4433 Diaphragm, Quad-Block
- PN 4434 Diaphragm, Quin-Block

Handpiece Muffler and Oil Collector



PN 7321 Muffler

- Can be mounted through frame for removal from outside control head
- Will handle up to four handpieces
- Minimum back pressure
- Compact size to fit inside control head
- Filter media is standard cotton swab material



Tubing HP Exhaust Muffler

PN 0949 Exhaust Muffler

432



Asepsis 4-Hole Handpiece Tubing

<u>DARK SURF</u>	<u>GRAY</u>	<u>LT SAND</u>	<u>STERLING</u>	<u>BLACK</u>	
435CT	432CT	433CT	436CT	431CT	Coiled w/ Connector
435T	432T	433T	436T	431T	Straight 7 ft. w/ Connector
435	432	433	436	431	Straight (per ft.)
435R	432R	433R	436R	431R	100 ft. Roll
435B	432B	433B	436B	431B	100 ft. Box

323



Asepsis 3-Hole Handpiece Tubing

GRAY

322CT	Coiled w/ Connector
322T	Straight 7 ft. w/ Connector
322	Straight (per ft.)
322R	100 ft. Roll
322B	100 ft. Box

402



Standard 4-Hole Handpiece Tubing

GRAY

402CT	Coiled w/ Connector
402T	Straight 7 ft. w/ Connector
402	Straight (per ft.)
402R	100 ft. Roll
402B	100 ft. Box



Retail pricing
available at
dciparts.com

Syringes



84-85

Precision Comfort®
Syringes



86-88

Quick-Clean®
Syringes



89

Autoclavable
Syringes



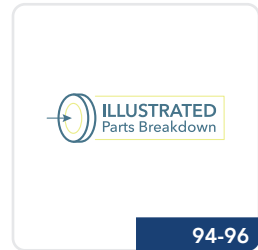
90

Syringe Tips



91-93

Syringe Speciality Tools
& Repair Kits



ILLUSTRATED
Parts Breakdown

94-96

Illustrated Parts
Breakdown

Syringes

FEATURED



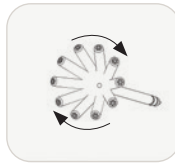
3600



Precision Touch Buttons improve ergonomics & reduce hand fatigue



Comfort fit designed to reduce hand fatigue



Tips rotate in 10° increments, then lock into place for a total of 360°

PAGE **94** ILLUSTRATED Parts Breakdown

Precision Comfort® 3-Way Syringe

LESS TUBING	DARK SURF	GRAY	LT SAND	STERLING	BLACK
3600					
3615					
	3609	3603	3605	3607	3601
	3610	3604	3606	3608	3602

Syringe Only
 Syringe Head Only
 Coiled Tubing
 Straight Tubing (7')



Precision Comfort® Syringe Repair Kit

PN 3635 Precision Comfort Syringe Repair Kit w/ 2 buttons

FEATURED



For Repair of Precision Comfort® Syringes

- PN 3637 Precision Comfort Syringe Button w/ Spring
- PN 3638 Precision Comfort Syringe Button w/ Spring (pkg of 10)
- PN 3636 Precision Comfort Syringe Kit
- PN 3635 Precision Comfort Syringe Repair Kit w/ 2 buttons
- PN 3491 Syringe Handle
- PN 3065 Syringe Tip Adapter Assy
- PN 3089 Syringe Adapter Kit
- PN 3631 Precision Comfort Syringe Repair Kit (Pre-2017)

- For DCI Syringes

3635

DCI Precision Comfort® One-Button Syringe

LESS TUBING	DARK SURF	GRAY	LT SAND	STERLING	BLACK
-------------	-----------	------	---------	----------	-------

3640

3645

3642

3643

3644

3641

Syringe Only
 Straight Tubing (7')



3640

- Smooth contour for easy cleaning
- Quick-Change® tip disconnect
- Accepts standard autoclavable tips or disposable tips
- Precise control of air or water
- Asepsis tubing standard
- Includes service kit when purchased w/ tubing



Quick-Clean® Standard Syringe

Smooth contours for quick, thorough cleaning

Quick-Change® tip disconnect

Uses standard autoclavable tips or disposable tips

Asepsis tubing standard

Includes service kit when purchased w/ tubing



Visit the DCI Video Library for a demonstration on how to repair a Quick-Clean® syringe button.

PAGE **94**  **ILLUSTRATED**
Parts Breakdown

LESS TUBING	DARK SURF	GRAY	LT SAND	STERLING	BLACK	
3430						Syringe Only
3429						Syringe Head Only
	3444	3438	3440	3443	3436	Coiled Tubing
	3445	3439	3441	3442	3437	Straight Tubing (7')
3430C						Circulating Syringe, w/o Tubing





Quick-Clean® Syringe Repair Kit

PN 3098 Quick-Clean® Syringe Repair Kit w/ 2 Buttons

FEATURED

Repair Parts for Quick-Clean® Standard & Euro-Style Syringes



- PN 3085 Quick-Clean Syringe Button & Conical Spring
- PN 3099 Quick-Clean Syringe Button w/ Spring (pkg of 10)
- PN 3066 Quick-Clean Syringe Repair Kit
- PN 3098 Quick-Clean Syringe Repair Kit w/ 2 buttons
- PN 9670 Button Spring Only
- PN 0084 Kit 8-30 x 1/16" Barb/Washer (pkg of 10)
- PN 0085 Washer 8-32 Nylon (pkg of 10)
- PN 9648 Syringe Button Pin, Standard, Quick-Clean
- PN 9651 Syringe Button Pin, Euro-Style, Quick-Clean
- PN 3491 Syringe Handle
- PN 3065 Syringe Tip Adapter Assy

Quick-Clean® Euro-Style Syringe

LESS TUBING	DARK SURF	GRAY	LT SAND	STERLING	BLACK
-------------	-----------	------	---------	----------	-------

3450	3464	3459	3461	3463	3457	Syringe Only Straight Tubing (7')
------	------	------	------	------	------	--------------------------------------



PAGE 94 ILLUSTRATED Parts Breakdown



Quick-Clean® Valve Core Style Syringe

- Smooth contours for quick, thorough cleaning
- Quick-Change® tip disconnect
- Uses standard autoclavable tips or disposable tips
- Asepsis tubing standard
- Includes service kit when purchased w/ tubing

LESS TUBING	DARK SURF	GRAY	LT SAND	STERLING	BLACK
3470	3483 3484	3478 3479	3474 3475	3482 3481	3476 3477

Syringe Only
Coiled Tubing
Straight Tubing (7')

FEATURED



Repair Parts for Quick-Clean® Valve Core Style Syringes

- PN **3093** Syringe Button w/ Spring
- PN **9674** Spring Only
- PN **3076** Syringe Repair Kit
- PN **3090** Valve Core (pkg of 10)
- PN **3034** Valve Core Syringe Button w/ Spring (pkg of 10)
- PN **0084** Kit 8-30 x 1/16" Barb/Washer (pkg of 10)
- PN **0085** Washer 8-32 Nylon (pkg of 10)



TECH TIP: HOW TO IDENTIFY WHICH SYRINGE YOU HAVE



VALVE CORE SYRINGE

- DCI logo on the top
- No pin or finger rest



QUICK-CLEAN® SYRINGE

- DCI logo on the top
- Features pin
- No finger rest



PRECISION COMFORT® SYRINGE

- Features pin, finger rest, and DCI logo on the side

Need help repairing your DCI syringe? Visit the DCI Partner Resource Center under Maintenance and Repair videos.





3370

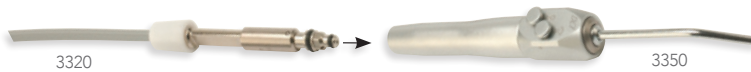
DCI Autoclavable Syringes

- Complete handle & head assembly are fully autoclavable
- Quick-Change® tip disconnect
- Accepts standard autoclavable tips or disposable tips
- Includes service kit when purchased w/ tubing
- Asepsis tubing standard

PAGE **95** ILLUSTRATED Parts Breakdown

LESS TUBING	DARK SURF	GRAY	LT SAND	STERLING
3369				
3370				
3320				
3325				
	3404 3405	3379	3375	3398

Head, Handle & Q.D.
Head, Handle
Quick Disconnect
Q.D. Holder
Coiled Tubing
Straight Tubing (7')



3320

PAGE **95** ILLUSTRATED Parts Breakdown

Deluxe Autoclavable Euro-Style Syringe

LESS TUBING	DARK SURF	GRAY	LT SAND	STERLING	BLACK
3349					
3350					
	3406	3359	3355	3361	3357

Head, Handle & Q.D.
Head, Handle
Straight Tubing (7')

- Patented quick-disconnect turns air & water off when syringe is removed

FEATURED



3072

3092

Repair Parts for Autoclavable Syringes

- PN **3092** Syringe Button w/ Spring
- PN **9674** Spring Only
- PN **3072** Syringe Repair Kit
- PN **3036** Syringe Tubing Sleeve, Autoclavable
- PN **3074** Syringe Handle
- PN **3071** Syringe Tip Adapter Assembly



3088

DCI Syringe Adapter Kits

- PN **3088** Autoclavable Syringe Adapter Kit
- Fits DCI Quick-Change® Tip Syringes
- Includes: 1 tip adapter assembly, 1 tip adapter spring, 1 tip adapter pin, 1 syringe head O-Ring, 1 5/32" hex wrench



3045

3086

Repair Parts for Autoclavable Euro-Style Syringes

- PN **3086** Syringe Button & Conical Spring
- PN **3045** Syringe Repair Kit

Autoclavable Indexing Tips



3180

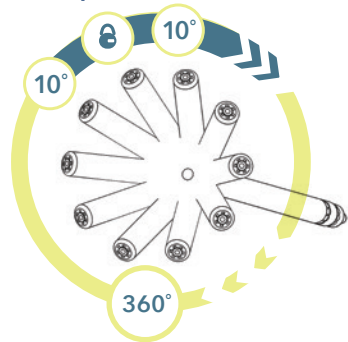


Interchangeable in most common syringe heads



Provides resistance to rotation in the DCI quick-change adapter to facilitate cheek retraction

- 3180 tips are standard in the Precision Comfort style DCI syringe



Tips rotate in 10° increments, then lock into place for a total of 360°

PN **3180** Indexing Syringe Tip (1 ea.)

PN **3181** Pkg of 5

PN **3182** Pkg of 50

Autoclavable Syringe Tips



3060

PN **3060** Quick-Change® Autoclavable Tip (1 ea.)

PN **3061** Pkg of 5

PN **3059** Pkg of 50

- 3060 tips are standard in the Quick-Clean and Autoclavable Style DCI Syringe

NOTE: The autoclavable syringe tips are interchangeable and are used in syringes with the old style nut retainer and in the DCI Quick-Change® tip disconnect. The DCI syringe tips offer more air outlet ports than the A-dec® tip.

Autoclavable Syringe Tips to fit A-dec® Syringes



3054

PN **3054** A-dec® Autoclavable (1 ea.)

PN **3055** Pkg of 5

PN **3056** Pkg of 50

- With alignment rings
- Autoclavable

A-dec® is a registered trademark of A-dec, Inc. DCI has no affiliation with A-dec and A-dec has not authorized DCI replacement parts to be used on or in connection with A-dec® products.



Syringe Tools



9287

- PN **9287** DCI Syringe 3-in-1 Tool, Includes Valve Core Tool, Quick-Change® Adapter Tool & Button Pin Removal Tool
- PN **8059** Syringe Button Removal Tool
- PN **3097** Syringe Nut Wrench
- PN **3096** Valve Core Tool
- PN **9286** A-dec® Syringe Tool
- PN **3033** Forest Syringe Button, Barb & Adapter Tool



8059



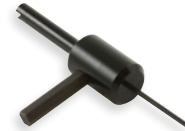
3033



3097



3096



9286

Syringe Water Heaters



3211

- PN **3211** Air Actuated On/Off, 110/120 VAC

110 / 120 VAC Heater

- Solid state temperature control providing more uniform temperature
- Air actuated on/off control

- 4 1/4" high x 2" diameter
- Power "on" indicator light
- Safety overheat shut-off
- Hospital grade plug

220 / 240 VAC Heater

- Manual on/off control
- 4" high x 2" diameter
- Power "on" indicator light

A-dec® is a registered trademark of A-dec, Inc. DCI has no affiliation with A-dec and A-dec has not authorized DCI replacement parts to be used on or in connection with A-dec® products.

FEATURED



Flow Controls

- PN **3021** Syringe Block
- PN **3024** Syringe Block / Control Assy
- PN **2110** Flow Adjusting Screw

- Allen adjusting screws for air & water
- Mounting hardware
- 10-32 Barbs for 1/8" & 1/4" O.D. tubing

- PN **9317** Double Flow Restrictor

For Repair of DCI Syringes (Older Tip Retainer Nut Style)



For syringes 3000, 3120, 3140 & 3160

- PN **3030** Kit, Including Tip 3060
- PN **3040** Kit, Less Syringe Tip
- PN **3049** Syringe Tip Adapter, w/ O-Ring
- PN **2040** Collet Cone, Plastic, for Nut-Type Syringe Tip Retainer
- PN **2060** Syringe Tip Nut, Chrome
- PN **9704** Allen Wrench 5/32 Hex

- Converts syringes w/ non-autoclavable tips
- Includes nut wrench & 5/32" hex key



For valve core syringe 3000

- PN **3042** Syringe Repair Kit

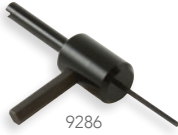


- PN **3080** For Valve Core Syringe

- PN **3070** For Lever Syringe



Parts & Tools to fit A-dec® Syringes



9286

PN **9286** Tool to fit A-dec® Syringes

- Includes valve core tool, button retaining screw key and tip adapter key A-dec® #98.0010.00



9150

PN **9150** Syringe Button Screw (A-dec® #23.1193.01) (pkg of 5)

- Fits A-dec® Syringes produced 1995 & later



2041



3090

Fits Tri-Flow, lever, soft touch button & Continental® syringe

PN **3090** Valve Core (A-dec® #026.033.01) (pkg of 10)



9028

Fits Tri-Flow syringes, soft touch button, lever & Continental® syringe

PN **9028** Conical Button Spring (A-dec® #013.038.01) (pkg of 10)

PN **9186** Button Assy to fit A-dec® Syringes (A-dec® #23.1232.00)



9186

PN **9347** Repair Kit for A-dec® Soft Touch Syringe w/ 2 Buttons



9326

PN **9326** Service Kit to fit A-dec® Lever Syringes (A-dec® #23.1093.00)

Kit includes:

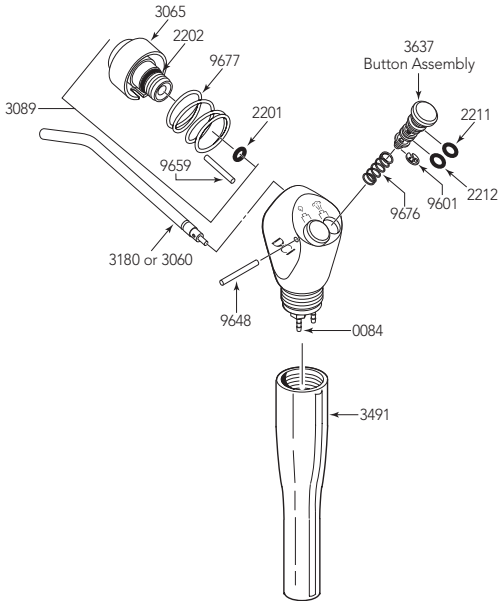
PN **3070** Button for Lever Syringe (A-dec® #23.0048.00)

PN **9028** Conical Button Spring (A-dec® #013.038.01)

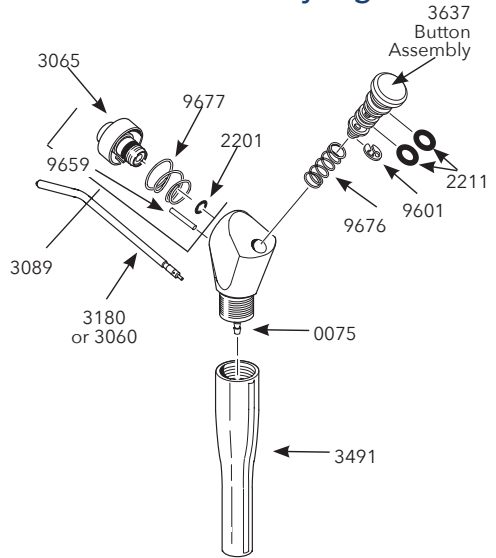
PN **8034** Silicone Lubricant 1 (A-dec® #98.0090.00)

A-dec® and Continental® are registered trademarks of A-dec, Inc. DCI has no affiliation with A-dec and A-dec has not authorized DCI replacement parts to be used on or in connection with A-dec® products.

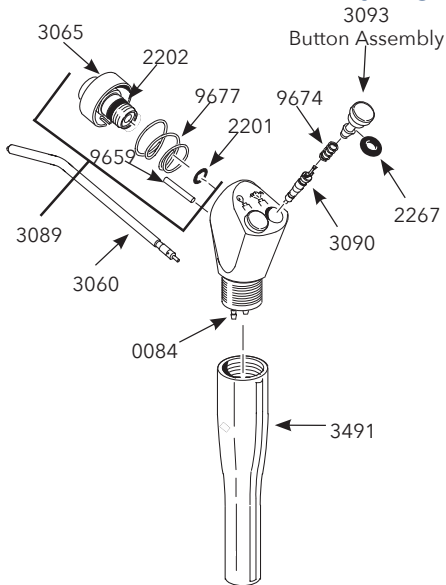
Precision Comfort® Syringe



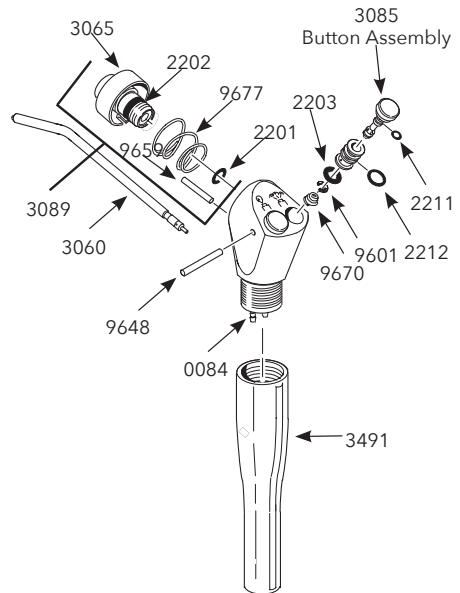
Precision Comfort® One-Button Syringe



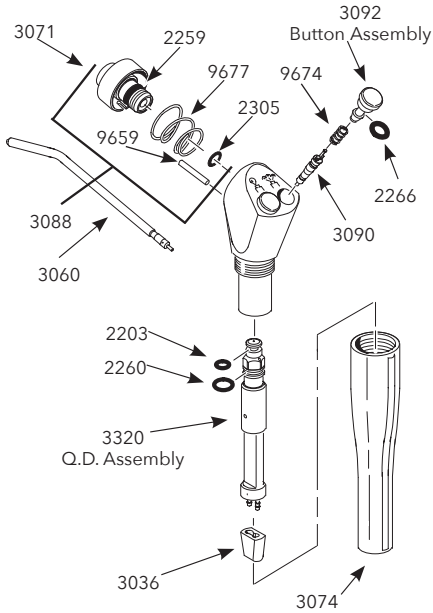
Quick-Clean® Valve Core Syringe



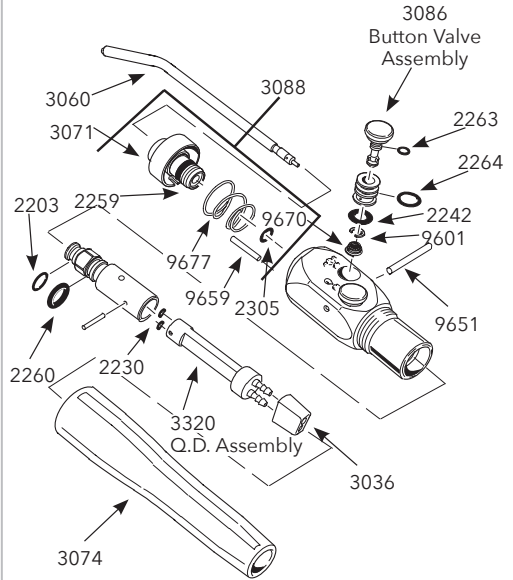
Quick-Clean® Standard Syringe



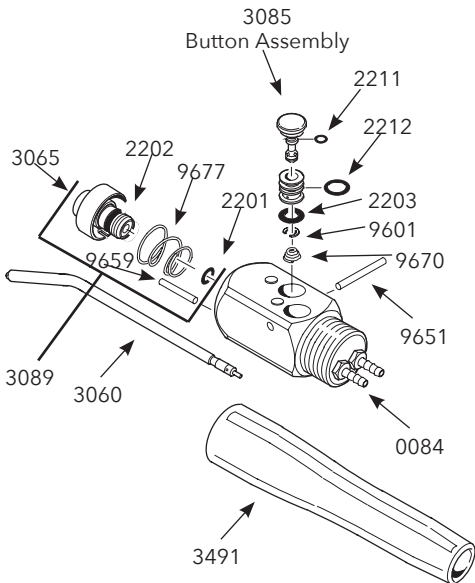
Autoclavable Syringe



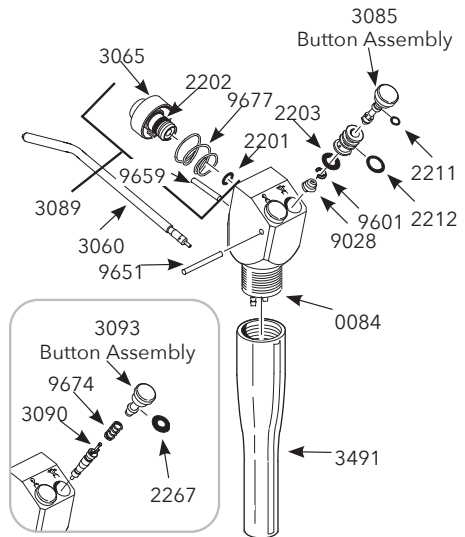
Autoclavable Euro Style Syringe



Quick-Clean® Euro Style Syringe



Traditional Syringe



Syringe Illustrated Parts Breakdown

0075	Barb, 10-32 & Washer (pkg of 10)	3071	Tip Adapter Assembly, Autoclavable
0084	Barb, 8-32 & Washer (pkg of 10)	3074	Handle, Autoclavable Syringe
0085	Nylon Washer 8-32 (pkg of 10)	3085	Button Valve Assembly
2201	O-Ring (pkg of 12)	3086	Button Valve, Autoclavable
2202	O-Ring (pkg of 12)	3088	Autoclavable Quick-Change Kit
2203	O-Ring (pkg of 12)	3089	Quick-Change® Tip Adapter Kit
2211	O-Ring (pkg of 12)	3090	Valve Core (pkg of 10)
2212	O-Ring (pkg of 12)	3092	Autoclavable Button Assembly
2230	O-Ring (pkg of 12)	3093	Button Assembly, QC Syringe
2242	O-Ring (pkg of 12)	3180	Indexing Syringe Tip
2259	O-Ring (pkg of 12)	3320	Quick Disconnect Assembly
2260	O-Ring (pkg of 12)	3491	Handle, Quick-Clean® Syringe
2263	O-Ring (pkg of 12)	3637	Precision Comfort™ Syringe Button w/ Spring
2264	O-Ring (pkg of 12)	3633	Retaining Ring
2266	O-Ring (pkg of 12)	9028	Spring Conical (pkg of 10)
2267	O-Ring (pkg of 12)	9601	Retaining Ring
2293	O-Ring (pkg of 12)	9648	Pin, Quick-Clean® Syringe Button
2305	O-Ring (pkg of 12)	9651	Pin, Syringe Button
3036	Tubing Sleeve (1 ea.)	9659	Pin, Tip Adapter
3059	Syringe Tip (pkg of 50)	9670	Spring, Syringe Button
3060	Syringe Tip (1 ea.)	9674	Spring, Syringe Button
3061	Syringe Tip (pkg of 5)	9677	Spring, Tip Adapter
3065	Tip Adapter Assembly		





Retail pricing available at dciparts.com

Vacuum Components



98-101

Vacuum Valves



102-104

Assistant's Packages



105

A-dec® Vacuum Valves & Q.D. Swivels



106

Evacu-Tips



107-108

Vacuum Valve Accessories



109-111

Vacuum Canisters & Screens



112-113

Alternative Vacuum Kits & Eco Vac Cleaner



ILLUSTRATED Parts Breakdown

114-116

Illustrated Parts Breakdown

A-dec® is a registered trademark of A-dec®, Inc. These parts are manufactured by DCI to fit A-dec® equipment. DCI has no affiliation with A-dec® and A-dec® has not authorized DCI replacement parts to be used on or in connection with A-dec® products.



The Precision Comfort® Autoclavable Premium Valves

The Precision Comfort® line of Vacuum Valves is engineered with a large single piece lever that will not bend or break and is easy to activate comfortably making it one of the most ergonomic valves on the market.

FEATURED

Extended Vacuum Valves

Used w/ Standard Holder

- PN **5112** Single Valve w/ Quick-Disconnect
- PN **5107** Replacement Quick-Disconnect Swivel for 1/2" Tubing
- PN **5108** Replacement Lever & Spool Assembly
- PN **5165** Precision Comfort O-Ring Repair Kit

Short Vacuum Valves

Used w/ Vacuum Holder

- PN **5131** Single Valve w/ Quick-Disconnect
- PN **5107** Replacement Quick-Disconnect Swivel for 1/2" Tubing
- PN **5108** Replacement Lever & Spool Assembly
- PN **5165** Precision Comfort O-Ring Repair Kit

Saliva Ejectors

Used w/ Standard Holder

- PN **5222** Single Valve w/ Quick-Disconnect
- PN **5217** Replacement Quick-Disconnect Swivel for 3/16" Tubing
- PN **5218** Replacement Lever & Spool Assembly
- PN **5166** Precision Comfort O-Ring Repair Kit

PAGE **114**  ILLUSTRATED
Parts Breakdown



PAGE 105

Precision Comfort®
Conversion Q.D.
Swivels



No Rubber Tip Required
The Precision Comfort(R) Saliva Ejectors designed with an internal O-ring to firmly hold the straw in place



O-Ring Placement Fits Evacu-Tip & Tip-A-Dilly™
Fits all popular brands of evacuator tips and straws

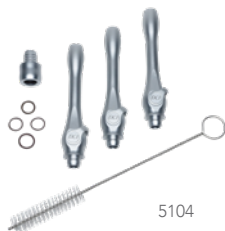


WILL NOT BEND OR BREAK!

Single Piece Metal Lever
The single-piece metal levers make it quick and easy to remove for cleaning and provide a large surface for activation

FEATURED

HVE & SE Kits

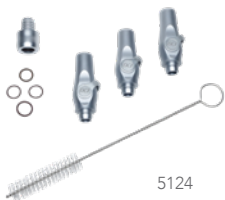


5104

PN 5104 Precision Comfort Premium Extended Vacuum Kit

Kit contains:

- Precision Comfort® Premium Extended Vacuum Valve (pack of 3)
- Precision Comfort® Premium Quick Disconnect Swivel
- Brush Vacuum Cleaning 9"
- O-Ring, Viton, .489 I.D. X .070 Width
- O-Ring, Viton, .447 I.D. X .052 Width (pack of 2)
- O-Ring, Viton, .426 I.D. X .070 Width

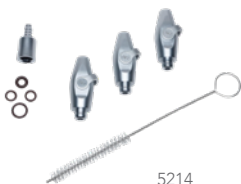


5124

PN 5124 Precision Comfort Premium Short Vacuum Valve Kit

Kit contains:

- Precision Comfort® Premium Short Vacuum Valve (pack of 3)
- Precision Comfort® Premium Quick Disconnect Swivel w/ O-ring, 1/2"
- Brush Vacuum Cleaning 9"
- O-Ring, Viton, .489 I.D. X .070 Width
- O-Ring, Viton, .447 I.D. X .052 Width (pack of 2)
- O-Ring, Viton, .426 I.D. X .070 Width



5214

PN 5214 Precision Comfort Premium Saliva Ejector Kit

Kit contains:

- Precision Comfort® Premium Saliva Ejector (pack of 3)
- Precision Comfort® Premium Autoclavable Saliva Ejector 3/17" Quick Disconnect Swivel w/ O-ring
- Brush, Saliva Ejector, 7"
- O-Ring, Viton, .364 I.D. X .070 Width
- O-Ring, Buna-n, .239 I.D. X .070 Width (pack of 2)
- O-Ring, Viton Brown, .206 I.D. X .103

FEATURED

O-RING PLACEMENT ALLOWS FOR TIP-A-DILLY & EVACU-TIPS!



5070

Standard Autoclavable Valves

Single piece anodized aluminum body

Easy removal lever & spool valve assembly

Quick disconnect - 360° swivel

Includes brush for cleaning

PAGE 115  ILLUSTRATED Parts Breakdown



5080

Extended Vacuum Valves

Used w/ Standard Holder

PN 5070 Single Valve w/ Quick-Disconnect

PN 5082 Replacement Quick-Disconnect Swivel for 1/2" Tubing

PN 5083 Replacement Quick-Disconnect Swivel for 5/8" Tubing

PN 5168 Replacement Lever & Spool Valve Assembly

PN 5084 Premium & Standard Repair Kit

Short Vacuum Valves

Used w/ Vacuum Holder

PN 5080 Single Valve w/ Quick-Disconnect

PN 5082 Replacement Quick-Disconnect Swivel for 1/2" Tubing

PN 5083 Replacement Quick-Disconnect Swivel for 5/8" Tubing

PN 5168 Replacement Lever & Spool Valve Assembly



5088

Saliva Ejectors

Used w/ Standard Holder

PN 5088 Single Valve w/ Quick-Disconnect w/ Threaded Tip

PN 5090 Single Valve w/ Quick-Disconnect w/ Push on Tip

PN 5092 Replacement Quick-Disconnect Swivel for 3/16" Tubing

PN 5169 Replacement Lever & Spool Valve Assembly

PN 5093 Premium & Standard Repair Kit



5190

HVE & SE Operatory Kit

PN 5190 HVE & SE Kit, Standard

Kit includes:

- 3x Extended HVE Valves w/ 1x 1/2in swivel
- 3x Saliva Ejectors with 1x 3/16ths swivel

FEATURED

Economy Autoclavable Valves

PAGE 115 ILLUSTRATED Parts Breakdown



5150

- Anodized aluminum body
- Quick disconnect - 360° swivel
- Smooth plastic lever action
- Includes brush for cleaning



5172

Extended Vacuum Valves

Used w/ Standard Holder

- PN **5150** Single Valve w/ Quick-Disconnect
- PN **5082** Replacement Quick-Disconnect Swivel for 1/2" Tubing
- PN **5083** Replacement Quick-Disconnect Swivel for 5/8" Tubing
- PN **5171** Replacement Lever
- PN **5172** Valve Spool w/ O-Rings
- PN **5161** Economy Autoclavable Extended Vacuum Valve Set
- PN **5145** Repair Kit



5171

Short Vacuum Valves

Used w/ Vacuum Holder

- PN **5148** Single Valve w/ Quick-Disconnect
- PN **5082** Replacement Quick-Disconnect Swivel for 1/2" Tubing
- PN **5083** Replacement Quick-Disconnect Swivel for 5/8" Tubing
- PN **5171** Replacement Lever
- PN **5172** Valve Spool w/ O-Rings



5742

SEE PAGE 105 FOR MORE DETAILS

Saliva Ejectors

Used w/ Standard Holder

- PN **5650** Single Valve w/ Quick-Disconnect, w/ Threaded Tip
- PN **5660** Single Valve w/ Quick-Disconnect w/ Push on Tip
- PN **5092** Replacement Quick-Disconnect for 3/16" Tubing
- PN **5670** Replacement Lever
- PN **5672** Valve Spool w/ O-Rings, Standard SE
- PN **5667** Economy Autoclavable Saliva Ejector Set
- PN **5645** Repair Kit

Autoclavable Saliva Ejector w/ Anti-Suck Back



5655

- PN **5655** Autoclavable Premium Saliva Ejector Valve w/ Anti-Suck Back
- PN **5664** Autoclavable Standard Saliva Ejector Valve w/ Anti-Suck Back
- PN **5184** Replacement Premium Quick-Disconnect Swivel w/ Check Valve for 3/16" Tubing
- PN **5185** Replacement Standard Quick-Disconnect Swivel w/ Check Valve for 3/16" Tubing

FEATURED

Precision Comfort Assistant's Package



GRAY	STERLING
5363	5380
5364	5381
5365	5382

- Precision Comfort Syringe, HVE & SE
- Precision Comfort Syringe, 2 HVE's & SE
- 2 Precision Comfort HVE's & SE

- HVE & SE include 7' of tubing
- Syringe includes 7' of tubing
- 5/8 Drain tubing 7'
- Includes PN 3604, & flow control block 3021
- 5112, 5222 & 5860



Standard Assistant's Package

- PN **5366** Quick Clean Syringe, Standard HVE & SE
- PN **5367** Quick Clean Syringe, 2 Standard HVE's & SE
- PN **5368** 2 Standard HVE's & SE

- Includes PN 3430, 5070, 5090 & 5860



Economy Assistant's Package

- PN **5369** Quick Clean Syringe, Economy HVE & SE
- PN **5370** Quick Clean Syringe, 2 Economy HVE's & SE
- PN **5371** 2 Economy HVE's & SE

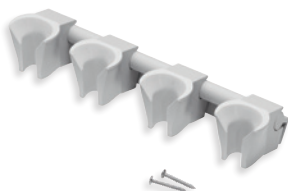
- Includes PN 3430, 5150, 5660 & 5860



Swing Mount Assistant's Holder

PN **8389** 3 Position Swing Holder Bar
 PN **5378** 4 Position Swing Holder Bar

- Mounts to any vertical or horizontal surface
- Holds HVE by tip
- 3 position is 11 3/4" long, 5 1/2" tall
- 4 position is 13 3/4" long, 5 1/2" tall
- Includes mount for vacuum trap



Wall or Cabinet Mounted Holders

PN **5372** 3 Position Holder Bar
 PN **5373** 4 Position Holder Bar

- Mounts to any vertical surface
- Adjustable tilt angle
- Holds HVE by tip
- Durable plastic holder & machined aluminum-mount



Telescoping Arm Holders

PN **5374** 3 Position Telescoping Arm, Gray
 PN **5376** 4 Position Telescoping Arm, Gray
 PN **5375** 3 Position Telescoping Arm, White
 PN **5377** 4 Position Telescoping Arm, White

- Telescoping arm w/ breakaway feature
- 24" to 46 3/4" horizontal reach
- Mounts to a 2" post
- Holds HVE by tip
- Includes mount for vacuum trap



TECH TIP

Extend the life of your Vacuum Valves and Vacuum Pump

See page 112 for our Eco-Vac system cleaner.

- Continuous cleaning action
- Environmentally safe



5835



Mounted Assistant's Instrumentation Packages and Holders

The **Precision Comfort®**, **Standard**, and **Economy Mounted Kits** are conveniently packaged with the specific parts needed to mount on any of the approved mounting surfaces. And offer the ability to be mounted either horizontally or vertically.

FEATURED



5433

Wall & Cart Mounted Assistant's Instrumentation

PN **5432** Precision Comfort® Vacuum Package

PN **5433** Standard Vacuum Package

PN **5431** Economy Vacuum Package Assistant w/ STD Valves

- One HVE w/ 6' tubing
- One SE w/ 6' tubing
- Syringe includes 7' tubing
- 1/4" Water Quick Disconnect

FEATURED



4199

Swing Mount Assistant's Kit

PN **4199** Assistant Instrumentation Cabinet Mount Kit

- Includes Precision Comfort® Syringe, HVE & SE
- Holds 4 HVE's by tip

FEATURED

Replacement A-dec® Style Vacuum Valves



- PN **5061** Autoclavable Extended Vacuum Valve
- PN **5060** Autoclavable Short Vacuum Valve
- PN **5062** Autoclavable Saliva Ejector
- PN **5063** Bail & Spool Assy w/ O-Ring for HVE
- PN **5064** Swivel Assy w/ O-Ring for HVE
- PN **5065** Bail & Spool Assy w/ O-Ring for SE
- PN **5066** Swivel Assy w/ O-Ring for SE
- PN **5067** Service Kit for HVE
- PN **5068** Service Kit for SE

PAGE **114**  **ILLUSTRATED**
Parts Breakdown



5220

Precision Comfort® Conversion Q.D. Swivels

PN **5220** A-dec® HVE Q.D. Swivel



5680

PN **5111** Pelton & Crane™ HVE Q.D. Swivel



5681

PN **5680** Cattani HVE Q.D. Swivel 26mm Swivel, 18mm Barb

PN **5681** Cattani SE Q.D. Swivel 20mm Swivel, 11mm Barb

- Precision Comfort® Q.D. Swivels allow proper fit in other equipment manufacturers' holders & tubing

A-dec® is a registered trademark of A-dec, Inc. DCI has no affiliation with A-dec and A-dec has not authorized DCI replacement parts to be used on or in connection with A-dec® products.

DIRECT REPLACEMENT FOR PELTON & CRANE™ TIP-A-DILLY

Evacu-Tips

PN 5765 Evacu-Tip Adapter (P&C 006393)

PN 5767 Evacu-Tip Straws (carton of 6 boxes, 1,200 straws)



5765

- Metal oral evacuator adapter is compatible with most HVE valves
- Fingertip adjustable vacuum with side vents
- Accommodates disposable straws
- Autoclavable
- Straws are compatible with Pelton & Crane™ Tip-a-dilly



Vacuum Termination Plug

PN 5179 Vacuum Termination Plug

- Autoclavable
- Anodized aluminum
- Fits in standard instrument hanger

**TECH TIP:** Extend the life of your vacuum valves!**AFTER EACH PATIENT:**

Draw clean water through the valve. Open and close the valve several times to free any debris.

AT THE END OF EACH DAY:

Use a stiff brush and mild detergent to clean internal surface. For valves with threaded tips, remove the tip and clean the threads.

When operating the valve becomes difficult, remove the spool, inspect and clean all parts including O-Rings. Reapply O-Ring lube DCI #8031 and reassemble.

Saliva Ejector Tips



5754

PN **5754** Push-on Autoclavable, Gray

PN **5750** Push-on Autoclavable, Black

PN **5757** Push-on Autoclavable, 5 pack, Gray

PN **5758** Push-on Autoclavable, 5 pack, Black



5742

PN **5742** Screw-on Autoclavable Tip, Gray

PN **5740** Screw-on Autoclavable Tip, Black

- Push-on or screw-on
- Tips are autoclavable
- Latex-free

Saliva Tip Adapter



PN **5752** Saliva Ejector Adapter

- Adapts to HVE valve
- Connects 1/2" HVE tubing to 3/16" SE tubing
- Not autoclavable

Saliva Ejector Tip



PN **5720** Saliva Ejector Assembly

- Push-on autoclavable tip
- Without valve
- Removable clean out basket

Saliva Ejector Adapter



PN **5751** Tubing Adapter

- 7/16" O.D. x 7/32" barb
- Inserts into vacuum canister port or HVE valve



Autoclavable Dry Oral Cup

PN **5840** Dry Oral Cup

- Used w/ central vacuum valves
- White autoclavable plastic
- 4" diameter x 4 1/2" high



Dry Oral Cup Liners

PN **5845** Liners (pkg of 1000)

- For use w/ 5840
- Pre-cut
- 6 oz.



5755

Saliva Ejector Baskets

PN **5755** Disposable Basket, Plastic (pkg of 10)



5620

Valve Cleaning Brush

PN **5620** HVE Brush (3 3/4" bristles) (pkg of 5)

PN **5621** SE Brush (3" bristles) (pkg of 5)

PN **5623** Medium Brush (pkg of 5)

PN **5622** Surgical Suction Tip Brush (pkg of 5)



5621



Vacuum Canister, Bottom & Side Mount

- PN **5872** Side Port
- PN **5873** Bottom Ported
- PN **5888** Replacement Cap (w/ O-Ring)
- PN **2240** O-Ring Seal for Cap (pkg of 12)
- PN **5877** Mounting Bracket (for wall or counter-mount)

- Available in either side or bottom port
- Solids collector w/ removable screen
- Accepts 2 HVE & 1 SE
- Uses 2 1/8" screens 5817, 5889, 5887
- Mounts using four 6-32 screws on bottom surface (included)
- 5872 & 5873 include mounting bracket 5877
- 5/8" O.D. Drain



Vacuum Canister, Bracket Mounted

GRAY	BLACK	
------	-------	--

- | | | |
|-------------|-------------|---|
| 5860 | 5810 | Kit, Includes Vacuum Canister & Both Brackets |
| 5866 | 5831 | Replacement Cap (w/ O-Ring) |
| 5865 | 5812 | Bracket, Vertical-Mount |
| 5864 | 5813 | Bracket, Horizontal-Mount |

- PN **2221** O-Ring Seal for Cap (pkg of 12)
- PN **5811** 1/2" Plug for HVE Port
- PN **5821** Plug for Saliva Ejector Port
- PN **5814** 5/8" O.D. Drain Adapter (pkg of 10)

- Used w/ central vacuum system
- Solids collector w/ removable screen
- Accepts 2 HVE & 1 SE
- Hydrocolloid drain provision
- 1/2" O.D. drain
- Uses 1 7/8" screens 5818, 5820, 5832



Vacuum Canister Post Brackets

- PN **5825** Gray Bracket, Anodized
- PN **5827** Gray Bracket, White

- For mounting vacuum canisters 5810 & 5860 on a 2" O.D. post
- Anodized or white powder coat

FEATURED



52081

Edge Screens

- PN **42021** Screen, Vacuum Trap, Series 4
 PN **49188** Screen, Vacuum Trap, Solids Collector, Series 4 (pkg of 100)
 PN **52081** Screen, Vacuum Trap, Solids Collector, Series 5
 PN **52875** Screen, Vacuum Trap, Solids Collector, Series 5 (pkg of 100)



5820

Solids Collector Screens

- PN **5820** Covered Screen, 1 7/8"
 PN **5832** Covered Screen, 1 7/8" (pkg of 100)
 PN **5889** Covered Screen, 2 1/8"
 PN **5887** Covered Screen, 2 1/8" (pkg of 100)

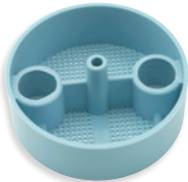
- Covered disposable vacuum trap
- Available in 1 7/8" & 2 1/8"



Solids Collector Screens

- PN **5818** Screen, Disposable (pkg of 100)

- 1 7/8" diameter
- Disposable (pkg of 100)
- For use w/ 5810 & 5860 Vacuum canister



Solids Collector Screens

- PN **5817** Screen, Disposable, 2 1/8" (pkg of 100)

- 2 1/8" diameter
- Disposable screen (pkg of 100)
- For use w/ 5872 & 5873 Vacuum canister



Screens to fit A-dec® Solids Collectors

- PN **6818** Screen, Disposable
 (A-dec® #11.1191.00) (pkg of 144)

- Fits A-dec® Cascade® & Performer®

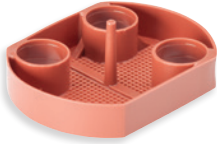


Screens to fit A-dec® Solids Collectors

- PN **5512** Screen, Disposable
 (A-dec® #11.1284.00) (pkg of 144)

- Fits A-dec 300®/500®

A-dec®, A-dec 300®/500®, Cascade® and Performer® are registered trademarks of A-dec, Inc. DCI has no affiliation with A-dec and A-dec has not authorized DCI replacement parts to be used on or in connection with A-dec® products.



Solids Collector Screens

PN **6821** Pelton & Crane™ Spirit Disposable Screen (pkg of 144) (P&C #9431388)



5823

Solids Collector Screens

PN **5823** Collector Screen
 PN **5822** Collector Screen (pkg of 100)

- For use w/ DCI system 6000 & Reality units



Cuspidor Screens

PN **5314** White Cuspidor Screen, 1 5/8" (pkg of 144)

- Fits Marus Maxstar
- Fits A-dec® Cascade® & Performer®



Cuspidor Screens

PN **5313** Gray Cuspidor Screen, 2 1/2" (pkg of 144)

- Fits A-dec®, Ampco, Belmont, Dabi-Atlante, Dansereau, DCI, DentalEZ®, Forest, Knight, Marus™ Pro Plus & MDT



5312

Cuspidor Bowls

PN **5312** Cuspidor Screen

- Fits most manufacturer's cuspidor bowls
- Stem 2 1/2" O.D. x 1 1/2" I.D.



5101

5102

Stainless Steel Sink Drain Screens

PN **5101** 4 3/8" Diameter Screen
 PN **5102** 2 3/4" Diameter Screen

- Autoclavable
- Prevents solid materials from clogging drains
- Available in two sizes to fit most standard sinks
- Stainless steel construction

A-dec®, Cascade® and Performer® are registered trademarks of A-dec, Inc. DCI has no affiliation with A-dec and A-dec has not authorized DCI replacement parts to be used on or in connection with A-dec® products.



5835

Vacuum System Cleaner

- PN **5835** Eco Vac 1-Pint Bottle
 PN **5837** Eco Vac 1/2 Gallon Bottle
 PN **5836** Eco Vac Case of 12 1-Pint Bottles

- Continuous cleaning action
- Environmentally safe
- Contains NO hazardous materials
- Non-Toxic, non-pathogenic
- Non-corrosive liquid; safe to handle & store
- Easy to use, measured 1 pint dispenser holds 32 applications
- 1/2 gallon dispenser holds 128 applications

Eco Vac cleans vacuum systems and eliminates odors associated with organic waste by biologically degrading the waste into natural elements. Cleans and deodorizes without foaming or use of harsh chemicals. Eco Vac utilizes safe non-pathogenic, non-opportunistic, Class 1 bacteria.

One half ounce of Eco Vac mixed with one quart of warm water, drawn through the vacuum lines daily in each operatory, establishes a continuous biological action.



5851

Vacuum Drain Assembly Kit

- PN **5851** Cuspidor Drain Kit
 PN **5853** Wash Station Drain Kit, 1 1/2" Sink
 PN **9614** Bowl Gasket
 PN **9615*** Diaphragm, 4 Holes, 3"
 PN **9616*** Filter, 1 1/4" Long x 1"
 PN **9617*** Bowl, 1 3/8" Long x 1 3/8" Diaphragm
 PN **9632** Diaphragm, No Holes, 2 9/16" Diaphragm
 PN **9633** Bowl, 2 5/8" Long x 1 3/8"
 PN **9634** Filter, 2 1/2" Long x 1"

- Select kit for either a cuspidor or a sink drain
- Eliminates the need for conventional plumbing
- Allows installation where a gravity drain is not available or practical
- Includes flush toggle to allow remote activation, PN 7026

* Repair items for valves purchased prior to 1997



Holder Activated AVS System

PN 5586 Holder Activated AVS System

- Air powered oral evacuation
- Requires 50 PSI minimum air pressure
- 1 quart plastic collection bottle
- Mounts to underside of dental unit or cabinet
- Precision Comfort Extended HVE 5112
- 6' of Smooth Vacuum Tubing 733
- Activated by holder & air switch

PN 5582 1 Quart Replacement Bottle

- 1 quart plastic collection bottle



Foot Control Activated AVS System

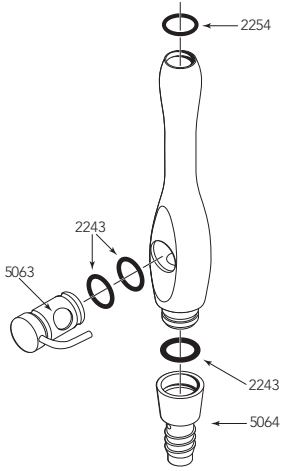
PN 5585 Foot Control Activated AVS System

- Air powered oral evacuation
- Requires 50 PSI minimum air pressure
- 1 quart plastic collection bottle
- Mounts to under counter or on the wall (hardware included)
- Air connection uses 1/4" O.D. supply tubing
- Precision Comfort Extended HVE 5112
- 6' of Smooth Vacuum Tubing 733
- Requires Scaler Button Style FC to operate (not included)
- See page 328 for a full list of Scaler Button Foot Controls

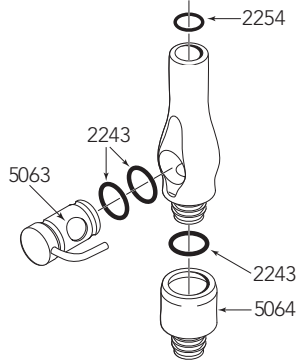
PN 5582 1 Quart Replacement Bottle

- 1 quart plastic collection bottle

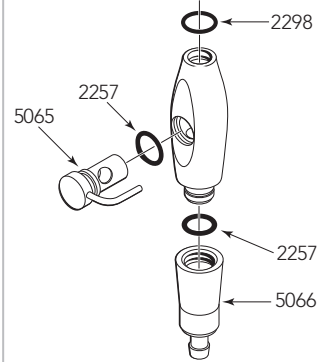
5061



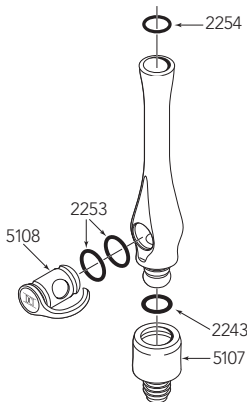
5060



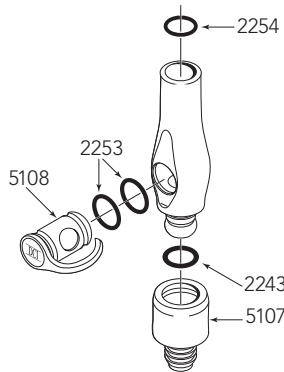
5062



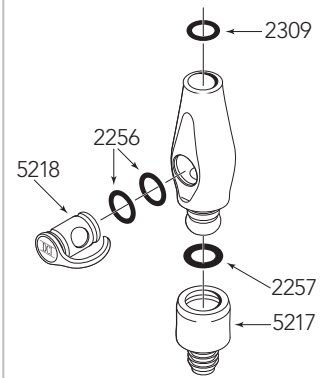
5112



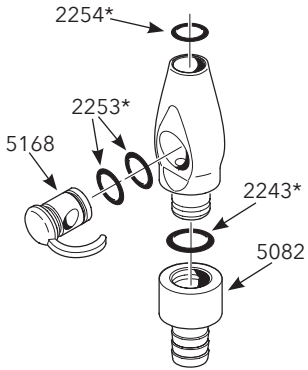
5131



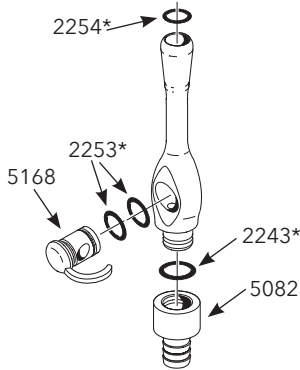
5222



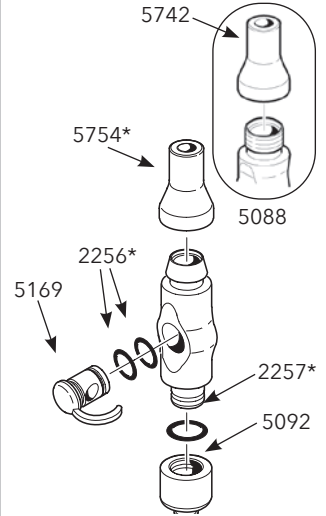
5080



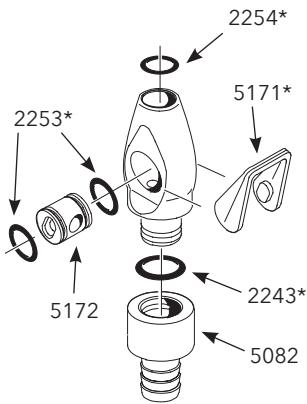
5070



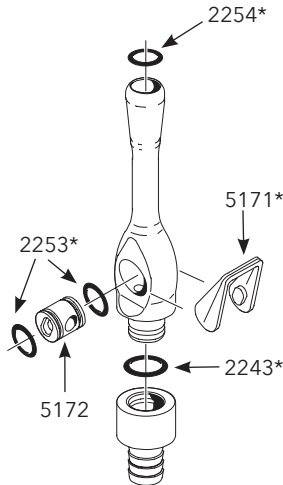
5090



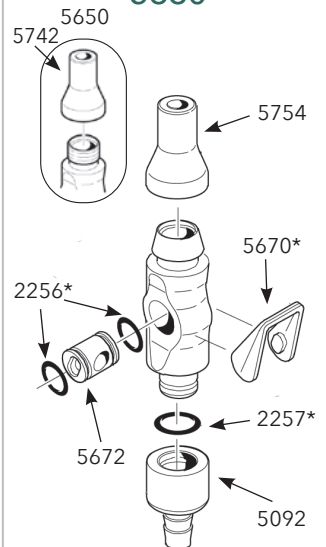
5148



5150



5660



Vacuum Valve Illustrated Parts Breakdown

PN 2243	O-Ring (pkg of 12)
PN 2253	O-Ring (pkg of 12)
PN 2254	O-Ring (pkg of 12)
PN 2256	O-Ring (pkg of 12)
PN 2257	O-Ring (pkg of 12)
PN 2309	O-Ring (pkg of 12)
PN 5107	Premium Anodized Swivel for 1/2" Tubing
PN 5217	Premium Anodized Swivel for 3/16" Tubing
PN 5108	Premium Anodized HVE Lever & Spool Valve Assembly
PN 5218	Premium Anodized SE Lever & Spool Valve Assembly
PN 5165	Precision Comfort® HVE O-Ring Repair Kit
PN 5166	Precision Comfort® SE O-Ring Repair Kit

Vacuum Instrument Illustrated Parts Breakdown

PN 2206	O-Ring (pkg of 12)	PN 5750	Saliva Ejector Tip (black)
PN 2207	O-Ring (pkg of 12)	PN 5754	Saliva Ejector Tip Gray
PN 2208	O-Ring (pkg of 12)	PN 5755	Strainer Basket (pkg of 10)
PN 2209	O-Ring (pkg of 12)		
PN 2243	O-Ring (pkg of 12)	Anodized Vacuum Instrument Repair Kits	
PN 2253	O-Ring (pkg of 12)	PN 5084	Premium & Standard Repair Kit, Autoclavable HVE 5070
PN 2254	O-Ring (pkg of 12)	PN 5093	Premium & Standard Repair Kit, Autoclavable SE 5090
PN 2256	O-Ring (pkg of 12)	PN 5145	Repair Kit, Autoclavable HVE 5150
PN 2257	O-Ring (pkg of 12)	PN 5645	Repair Kit, Autoclavable SE 5660
PN 5082	Anodized Swivel w/ O-Ring		
PN 5092	Anodized Swivel w/ O-Ring		
PN 5168	Lever & Spool Valve Assembly		
PN 5169	Lever & Spool Valve Assembly		
PN 5171	Replacement HVE Lever		
PN 5172	Valve Spool w/ O-Rings		
PN 5670	Replacement SE Lever		
PN 5672	Valve Spool w/ O-Rings		
PN 5742	Saliva Ejector Tip, Screw-On (gray)		



Retail pricing
available at
dciparts.com

Mounts, Arms & Holders



118-123

Holders



124-125

1/2" Pin Mounts



126

Flat Panel
Monitor Mounts



127

Trays



128

Flex Arms



129

Carts



130-132

Chair Adapters
& Posts



133-134

Illustrated Parts
Breakdown



4561

Asepsis Holders

The Molded, Automatic HP Asepsis Holders are built on an aluminum frame with an asepsis molded housing, giving them a clean, modern design.

FEATURED



SOLID ALUMINUM FRAME WITH ASEPSIS MOLDED HOUSING

Asepsis Holders



4561

GRAY	4% GRAY, LIGHTER (BELMONT)	LT SAND	WHITE W/ GRAY TUB.	WHITE W/ STERLING TUB.	
4869	4578	5987	4561	4576	Normally Closed
4868			4564	5914	Normally Open

- Automatic Handpiece Holders
- Air operated actuator control
- Resists chemical discoloration
- Designed for 1/2" bar-mounting
- Adjustable tilt angle



4566

GRAY	4% GRAY, LIGHTER (BELMONT)	LT SAND	WHITE	
4568	4579	5988	4566	Asepsis Universal Holder

- Used for handpieces, syringes, saliva ejectors & Extended HVE valve
- Used w/vacuum valves w/ tip extension
- Resists chemical discoloration
- Designed for 1/2" bar-mounting
- Adjustable tilt angle
- Automatic Syringe Holders



Universal Holders

PAGE 133 ILLUSTRATED Parts Breakdown



MACHINED ALUMINUM MOUNT WITH DURABLE PLASTIC HOLDER



5960

GRAY	BLACK
------	-------

5960	5940 HP Holder w/ Lockout Toggle
-------------	---

4592	HP Holder w/o Lockout Toggle
-------------	------------------------------

- Easy clean style
- Air operated actuator control
- Normally closed
- Designed for 1/2" bar-mounting w/ adjustable tilt angle



5965

GRAY	BLACK
------	-------

5965	5945 Standard Holder
-------------	-----------------------------

- Used for handpieces, syringes, saliva ejectors
- Adjustable tilt angle
- For 1/2" bar-mounting
- Used with Extended HVE valve



5970

GRAY	BLACK
------	-------

5970	5950 HVE Holder
-------------	------------------------

- Holds vacuum valves from base
- For 1/2" bar-mounting
- Adjustable tilt angle



Holder Bars

GRAY	BLACK	
5881	5951	Holder Bar, Single 2"
5882	5952	Holder Bar, Dual 4"
5883	5953	Holder Bar, Triple 6"
5884	5954	Holder Bar, Quad 8"
5880	5926	Holder Bar, 10"
5885	5955	Holder Bar, 14"

- For use w/ 4592 & 5940 through 5970 holders
- Mounting Hardware Included

FEATURED



4581

Asepsis Clip-on Holders

WHITE	GRAY	
4580	4581	Holder, Assy, Handpiece, Normally Closed
4582	4583	Holder, Vacuum, HVE (by the base)
4585	4586	Holder, Syringe (SE or Extended HVE by the tip)

- HP holder has air operated actuator



4562

Electric Holders

PAGE 133 ILLUSTRATED Parts Breakdown

WHITE	BLACK	GRAY	
4562	5966	5967	Normally Open
4563	5968	5969	Normally Closed
		5976	HVE Normally Closed



5966



5967

- Holder assembly w/ low voltage switch for direct activation of electrical accessory
- On / off lockout toggle, 5966-5969
- 125 Volts AC / DC 5 amps
- Automatic holder

Replacement Holders



GRAY	BLACK	
5961	5941	Automatic HP Holder
5962	5942	Standard Holder
5963	5943	Vacuum Holder

- Replacement holders for bracket assemblies

PAGE 133 ILLUSTRATED Parts Breakdown

Economy Holders



WHITE	GRAY	BLACK	
5900	5910	5905	For HP, SE, HVE w/ Tip
5915	5918	5920	For Syringes
5925	5923	5903	For HVE's

- Mounts on holder brackets 5929 - 5935
- Includes 10-32 mounting screw

Holder Brackets



PN 5929	Single Gray Plastic
PN 5930	Single White Plastic
PN 5931	Single Black Plastic
PN 5932	2-Position Aluminum
PN 5933	3-Position Aluminum
PN 5934	4-Position Aluminum

- For use w/ 5900 - 5925 holders
- Mounting Hardware included

Automatic Handpiece Holder Valves

PAGE 134  ILLUSTRATED Parts Breakdown



5947



5989

- PN **5947** Normally Open, Side Ported
- PN **5948** Normally Closed, Side Ported
- PN **5983** Normally Closed, Rear Ported
- PN **5989** Normally Open, Rear Ported

- 5948 normally closed is used for 5940, 5960 & 4592 handpiece holders
- 5983 normally closed is used for 4561
- 5947 & 5989 are used for positive air signal

Telescoping Breakaway Arm Systems



8186

8237

WHITE	GRAY	ANODIZED
-------	------	----------

8185	8729	8223
8186	8730	8237

Telescoping Arm w/ 3-Pos Holder

Telescoping Arm w/ 4-Pos Holder

- 24" to 46 3/4" horizontal reach
- 7 1/2" rigid arm
- Designed for mounting assistant's accessories
- Includes post-mount
- Use w/ 2" post-mount or wall-mount
- Breakaway feature protects equipment

1/2" Pin Adapter & Vacuum Canister Mount for Telescoping Arm



8407



8244

WHITE	GRAY
-------	------

8305	8407
-------------	-------------

Adapter

- Mounts on the end of telescoping arms
- Accepts 1/2" O.D. pin
- Used to mount vacuum canisters
- Slide over a 1/2" bar

PN **8244** Vacuum Canister Mount

Horseshoe Assistant's Holder Bar



8241

WHITE	GRAY
-------	------

8241	8402
-------------	-------------

Bar & Holders

- Includes three holders
- 1/2" O.D. pin



FEATURED

Assistant's Holders for DCI Edge



52161G

WHITE	GRAY
52161W	52161G

4-Position Holder, Series 5

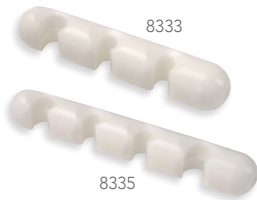


8332

Assistant's Holder Bars for Telescoping Arm

- PN **8632** 3-Position Holder, Holds SE & HVE by Base
- PN **8242** 3-Position Holder, Holds SE & HVE by Tip
- PN **8633** 4-Position Holder, Holds SE & HVE by Base
- PN **8332** 4-Position Holder, Holds SE & HVE by Tip

- Mounts on end of 1/2" O.D. bar
- Holder for syringe & vacuum valves



8333

8335

Assistant's Holders

- PN **8333** 3-Position Holder, Holds HVE by Base
- PN **8334** 3-Position Holder, Holds HVE by Tip
- PN **8335** 4-Position Holder, Holds 2 HVE's by Base
- PN **8364** 4-Position Holder, Holds 2 HVE's by Tip

- Mounts on 1/2" O.D. pin
- Mounting screw included
- 3- or 4-position holder for syringe & vacuum valves



8331

Swing Mount Holder Bar

- PN **8343** 3-Position Holder
- PN **8331** 4-Position Holder

- Mounts to vertical or horizontal surface
- 3- or 4-position holder for syringe & vacuum valves held by tip



4445

Under Counter Holder Bar

WHITE	GRAY
4445	4444

Cabinet-Mount Holder Bar

- For use w/ molded asepsis holders
- Bar is 10 1/2" x 3 1/2"



8308



4289

Surface Mount Brackets

WHITE	GRAY
8378	8308
8379	8309
4289	4291

Vertical Mount
Horizontal Mount
Under Counter Mount

- For mounting folding & telescoping arms to flat vertical or horizontal surfaces
- Mounting plate 4"x 4"
- Accepts 1/2" O.D. pin



8253

Post Mount Brackets

WHITE	GRAY
8259	8253

2" Post Mount

- For mounting folding & telescoping arm assemblies to 2" diameter post
- Accepts 1/2" O.D. pin



8618



9631

Reducing Bushings

PN **8618** Reducing Bushing From 2" to 1.7"
PN **8617** Reducing Bushing From 2" to 1 1/2"
PN **9631** 1/16" Nyliner to expand to a 2" post

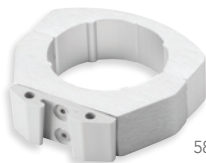


8162

Clamp On Water System & Accessory Adapters

PN **8137** 2" Anodized Post Adapter
PN **8162** 2" White Post Adapter

- Adapts water systems or accessories to posts



5827

Vacuum Canister Post Brackets

PN **5825** Gray Bracket, Anodized
PN **5827** Gray Bracket, White

- For mounting vacuum canisters 5810 & 5860 on a 2" O.D. post





Folding Rigid Arm Sections

WHITE	GRAY	ANODIZED	
8337	8303		6" Arm
8338	8304		8" Dual Pivot Arm
8356	8306	8230	12" Arm
8357	8307	8231	16" Arm

- Mounts using 1/2" pin



Top Post Mount Brackets

WHITE	GRAY	
8489	8294	Top Post Mount

- For mounting folding & telescoping arm assemblies
- Accepts 1/2" O.D. pin
- White & gray scratch resistant powder coat finish
- Fits Radius® style & most vertical posts
- Fits 2" diameter post



Control Mount Bracket

WHITE	GRAY	
8336	8634	Mounting Bracket

- Use w/ folding rigid arms
- Mounts using 1/2" pin
- For DCI Alternative & Series 4 Units or assistant's instrumentation packages 5432 & 5433

TECH TIP



TRYING TO SOLVE A TOUGH TECHNICAL PROBLEM?

Visit the DCI Service Forum at www.dcionline.com or the DCI Video Library where you can collaborate with fellow technicians and find the answers to the most challenging dental repairs!

A-dec® and Radius® are registered trademarks of A-dec, Inc. DCI has no affiliation with A-dec and A-dec has not authorized DCI replacement parts to be used on or in connection with A-dec® products.

FEATURED

Flat Panel Monitor – Vertical Post Mounted



4820

WHITE	GRAY	
4920	4820	Monitor Only
4955	4855	Monitor & Full Size Keyboard
	4825	Keyboard Tray, Full, w/6" Arm, Vertical Post Mounted
	4813	Keyboard Tray, Full, w/o Arm
	4812	Mouse Tray Kit



4813



4825

- Utilizes 1/2" pin for use w/ folding rigid arms & mounts
- Fits either 75mm or 100mm VESA patterns
- Includes 2" vertical post mount
- Tilts up & down 30°
- Keyboard trays include 8" dual pivot arm
- Monitor & keyboard have quick adjustment knob
- Swivels left to right 55°
- Post not included



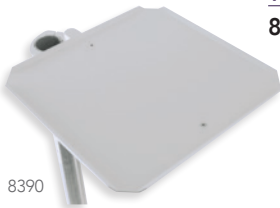
4824

Flat Panel Monitor – Top Post Mounted

WHITE	GRAY	
4924	4824	Monitor Only

Utility Shelf Assembly

WHITE	GRAY	
8393	8390	2" Post or H-Frame Mount



8390

- Pivots on mounting bracket for easy access
- Mounting bracket included
- Mounts using 1/2" pin
- 12" x 12" surface area





Flex Arm Mounted Trays

WHITE	GRAY
8398	8430
8046	8047
8051	8052

For use w/ Current DCI Flex Arm
16" Holder Bar U-Shaped
Bar Holders Each

- For use w/ flexible arm systems
- 1/2" holder bar
- Stainless steel tray holder
9 3/4" x 13 1/2"



Folding Rigid Arm Mounted Tray

WHITE	GRAY
8397	8429

Arm Mounted Tray

- Mounts to folding rigid arms using 1/2" pin
- Stainless steel tray holder
9 3/4" x 13 1/2"



Trays

- PN **8013** Stainless Steel Tray (B Size)
- PN **8012** Plastic Tray (A Size)
- PN **8222** Non Skid Pad

- Stainless steel tray
- Plastic tray



Bracket for Mounting Instruments to Alternative Control Heads

- PN **4272** Bracket for 4370 / 4270
- PN **4274** Bracket for 4120 / 4121 / 4020
- PN **4273** Instrument Tray Holder (Mounts to 4272 & 4274)
- PN **4276** Under Counter Unit Mount

- For mounting tray 4273 & control head to control arm
- White powder coat
- Retrofits to earlier models
4270 & 4020

FEATURED

Post Mount Flexible Arms



Standard configuration mounts on 2" post

WHITE	GRAY	
4905	4907	50" Horizontal Reach
4906	4908	34" Horizontal Reach
8923	8956	Top Post Mount Adapter 1.5" O.D.

Shown w/ optional top post mount adapter 8923



8923

- Flexible counterbalanced arm w/ pneumatic brake
- 50" Over-the-Patient Style
- 34" Side Delivery Style
- Built in tension adjustment mechanism
- Vertical travel is 23"
- Rigid arm is 26" on the 50" arm, & 11" on the 34" arm
- Mounts on 2" diameter post or wall-mount brackets 8647 & 8349
- Easy conversion from thru post to top post mount



4764

Post w/ Oilite Bushing for Top Post Mount

WHITE	GRAY	
4762	4764	24" for Top Post Mount
4763	4765	30" for Top Post Mount

- Fits DCI top post mount arms with adapter
- 1.5" Inner diameter



2" Post Wall Mount

WHITE	GRAY	
8647	8349	Wall-Mount for Arm Systems

- 6" x 6" mounting plate
- For use w/ current DCI flex arms
- Supports 60 lbs at 24" reach, when properly installed



Wall Mounting Board

PN **4222** Wall Mounting Board

- White Laminate w/ Gray Edge Banding
- Mount on 16" Wall Studs
- Mounting Hardware Included



H-Style Mobile Stand

PN **8001** Mobile Cart H-Frame

- Stable "H" frame base
- Adjustable vertical height from 25" to 41"
- Powder coat chrome finish
- 2" diameter post w/ 3" x 3" mounting plate
- Twin wheel casters roll freely on carpet or hard flooring
- 20" W x 18" D



U-Style Mobile Stand

PN **8006** Mobile Cart U-Frame

- Adjustable vertical height of 23" to 32"
- 15° angled upright
- Powder coat chrome finish
- 2" diameter w/ 3" x 3" mounting plate
- Twin wheel casters roll freely on carpet or hard flooring
- 18" W x 18" D



Cart & Stool Casters

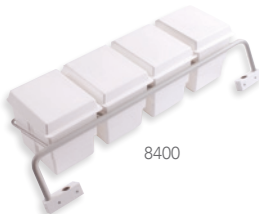
- PN **2946** Soft wheel for hard floor caster, Gray
- PN **2972** Soft wheel for hard floor caster, Gray (pkg of 5)
- PN **2948** Soft wheel for hard floor caster, Surf
- PN **2973** Soft wheel for hard floor caster, Surf (pkg of 5)
- PN **8010** Hard wheel for carpet, Gray
- PN **8002** Cart Caster Insert
- PN **54108** Hard Floor Caster, PU Tread, Taupe (DCI Edge/Reliance)



Cart Frame End Cap

PN **9224** Cart Frame End Cap

- Designed for all carts
- Gray
- Semi-hemispherical shape



Storage Well w/ Organizers

- PN **8400** Well w/ Organizers
- PN **8410** Storage Tub (Includes Hinge, Dividers & Lid)
- PN **8411** Full Divider
- PN **8413** Replacement Hinge
- PN **8414** Lid

- Mounting surface is 4" x 22"

FEATURED



Chair Adapters to fit:

- PN **8920** Chair Adapter Forest 6000 Assy
- PN **8561** Marus™ Pro 1300-1600, DCI Equipment, Pelton & Crane 1700
- PN **8497** Royal
- PN **8918** Pelton & Crane™ Spirit 1500, 1800, 2005, 330, 3000, SP30, Marus™ / Schein Empire
- PN **8568** Pelton & Crane™ Coachman, Chairman 5000
- PN **8488** 2" Hub
- PN **8438** 8" Floor mount for 2" post

- Chair adapters feature a scratch resistant light gray powder coat finish.



Light Post Accessories

- PN **8470** Pelton & Crane™ Light Bushing
- PN **8471** Ritter Light Bushing
- PN **8476** Crush Bushing for Base of Post
- PN **8472** Power Cord (8')
- PN **8474** 2" White Post Cap
- PN **8408** 2" Gray Post Cap
- PN **8475** 2" Stainless Post Cap
- Nylon Bushing fits 2" Posts
- **8470:** 1 7/8" O.D. x 1 11/16" I.D. for P&C, A-dec®, Marus™, Belmont, Knight L, Midmark, TPC lights
- **8471:** 1 7/8" O.D. x 1 3/8" I.D. for Ritter K, Dental EZ, Proma, Daray, Faro, Forest lights

A-dec® is a registered trademark of A-dec, Inc. DCI has no affiliation with A-dec and A-dec has not authorized DCI replacement parts to be used on or in connection with A-dec® products.



8431

Light Post Extensions

WHITE	GRAY	METAL	LENGTH
8921	8969	8431	24" Post w/ P&C Bushing
8922	8972	8432	24" Post w/ Ritter Bushing
8463	8986		30" Post w/ P&C Bushing
8464	8987		30" Post w/ Ritter Bushing
8466	8409	8465	Butterfly Clamp For 2" Post

- Kit includes light post bushing, "Butterfly" clamp, 8' extension cord & post
- 24" or 30" post length
- Scratch resistant powder coat finish



8912

Light Posts

WHITE	GRAY	METAL	LENGTH
8912	8939	8478	24" Post
8421	8940	8218	30" Post
8913	8945	8454	40" Post
8449	8949	8453	48" Post
8914	8952	8450	60" Post
8474	8408	8475	Post Cap

- 2" Diameter posts
- Posts feature a scratch resistant powder coat finish

- PN **8476** Crush Bushing for Base of Post
- PN **8470** P&C Bushing
- PN **8471** Ritter Bushing
- PN **8472** Power Cord (8')



TECH TIP

Always use a crush bushing when using a post in a chair adapter. This will prevent damage from set screws.

Chair Adapters to fit:



PN **8522** A-dec® Cascade® 1040



PN **8515** A-dec® Priority 1005 & 1010



PN **8500** A-dec® Decade® 1020, 1021, 1221 and 1015



PN **8538** A-dec 500®



PN **8493*** Belmont Bel 07-50 Celib-Pro-Xcal, Westar 2001, Westar 5000, LSM DC-100, LSM COH0



PN **8917** Belmont Acutracc, B99, Clesta



PN **8552** DentaleZ® E3000



PN **8919** DentaleZ® Advantage E2000



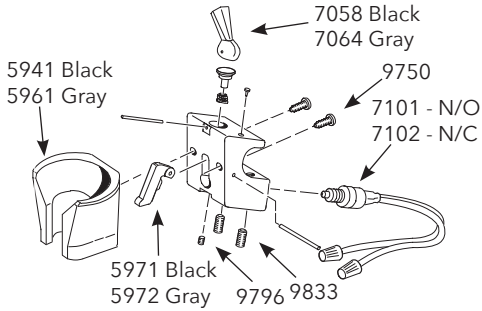
PN **8506** DentaleZ® J, PL200

- Chair adapters feature a scratch resistant light gray powder coat finish.
- White scratch resistant powder coat finish

A-dec®, Cascade®, Decade® and A-dec 500® are registered trademarks of A-dec, Inc. DCI has no affiliation with A-dec and A-dec has not authorized DCI replacement parts to be used on or in connection with A-dec® products.

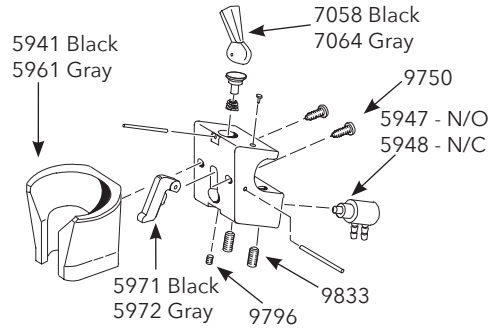


Electric Auto Accessory Holder



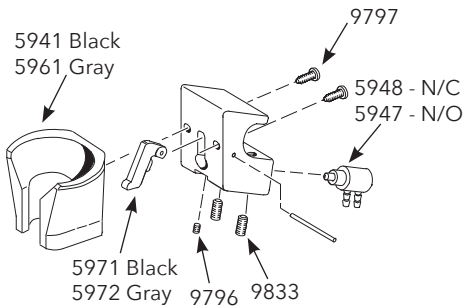
- 5966 Normally Open Black
- 5967 Normally Open Gray
- 5968 Normally Closed Black
- 5969 Normally Closed Gray

Auto Handpiece Holder w/ Lockout



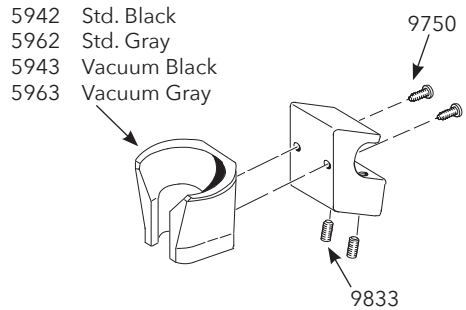
- 5940 Auto Holder Black
- 5960 Auto Holder Gray

Auto Handpiece Holder w/o Lockout



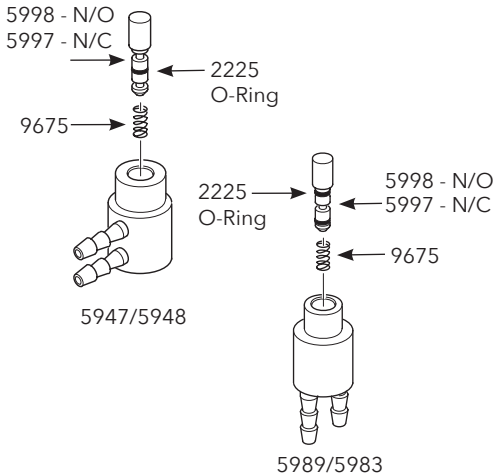
- 4592 Auto Holder Gray

Standard & Vacuum Holders



- 5945 Standard Holder Black
- 5965 Standard Holder Gray
- 5950 Vacuum Holder Black
- 5970 Vacuum Holder Gray

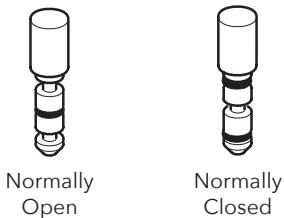
Automatic Handpiece Holder Valve



Mounts, Arms & Holders Illustrated Parts Breakdown

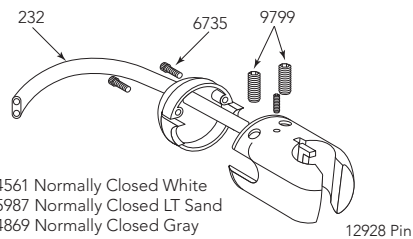
- 5941** Auto Holder (black)
- 5942** Standard Holder (black)
- 5943** Vacuum Holder (black)
- 5947** Normally open, side ported
- 5948** Normally closed, side ported
- 5961** Auto Holder (gray)
- 5962** Standard Holder (gray)
- 5963** Vacuum Holder (gray)
- 5971** Actuator Lever (black)
- 5972** Actuator Lever (gray)
- 5983** Normally closed, rear ported
- 5989** Normally open, rear ported
- 5997** Stem w/ O-Ring Normally Closed
- 5998** Stem w/ O-Ring Normally Open
- 7058** Toggle (black)
- 7064** Toggle (gray)
- 7101** Electric Switch Normally Open
- 7102** Electric Switch Normally Closed
- 9675** Spring
- 9796** Set Screw
- 9750** Screw
- 9833** Set Screw

Stem Configuration



Note: In order to change stem configuration, adjust O-Ring accordingly

Asepsis Molded Automatic Handpiece Holder Assembly



- 4561 Normally Closed White
- 5987 Normally Closed LT Sand
- 4869 Normally Closed Gray
- 4564 Normally Open White
- 5983 Normally Closed rear ported valve
- 5989 Normally Open rear ported valve



Retail pricing
available at
dciparts.com

Foot Controls



136-139

Foot Controls



139-140

Repair Parts



141-143

Replacement OEM Foot
Controls & Repair Kits



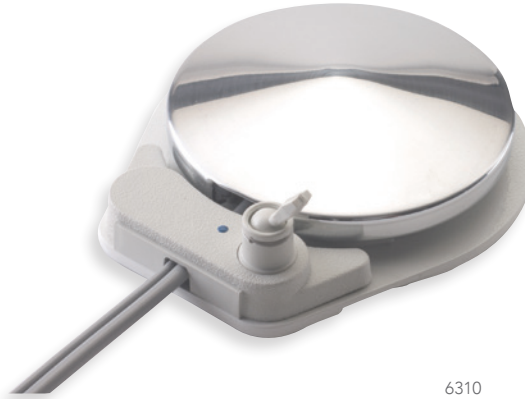
144

Illustrated Parts
Breakdown

Wet/Dry Disc-Type Foot Control

Durable, Stainless-Steel Disk with a powder-coated base and a replaceable breakaway wet/dry toggle. Our Foot Controls functionally match the delivery unit requirements and are available in various tubing colors.

PAGE 144  ILLUSTRATED Parts Breakdown



6310

FEATURED

Wet/Dry Disc-Type

DARK SURF	GRAY	LT SAND	STERLING	
6335	6310	6311	6322	Foot Control w/o Signal Relay
6435	6410	6411	6423	Foot Control w/ Signal Relay

- Responsive, high volume, variable flow
- Toggle for water coolant on/off
- 7' polyurethane 3-hole tubing (4-hole tubing with relay)



**Durable, Stainless-Steel Disk
With Powder Coated Base**

Tough, clean design that
resists scratches and
corrosion.



**Replaceable Breakaway
Wet/Dry Toggle**

Wet/Dry Foot Controls feature
a breakaway toggle that can
be easily replaced.



**Signal Relay Gives
Full Air Signal**

Signal relay delivers a
continuous auxiliary pressure
to activate water coolant even
while modulating handpiece
speed.



FEATURED

Wet/Dry & Chip Blower Disc-Type

PAGE 144  ILLUSTRATED Parts Breakdown

DARK SURF	GRAY	LT SAND	STERLING	
6338	6315	6317	6324	Foot Control w/o Signal Relay
6438	6415	6416	6424	Foot Control w/ Signal Relay
	6325		6339	Scaler w/o Signal Relay
	6421			Scaler w/o Signal Relay
				Scaler w/ Signal Relay



- Responsive, high volume, variable flow
- Toggle for water coolant on/off
- Toe-touch button valve for chip blower
- 7' polyurethane 4-hole tubing (5-hole tubing with signal relay)

Scaler Disc-Type

PAGE 144  ILLUSTRATED Parts Breakdown

DARK SURF	GRAY	LT SAND	STERLING	
6337	6320	6321	6332	Foot Control w/o Signal Relay
6437	6420	6422	6432	Foot Control w/ Signal Relay



- Responsive, high volume, variable flow
- Toe-touch button valve for on/off control of ultrasonic scaler (3-way, momentary)
- 7' polyurethane 3-hole tubing (5-hole tubing with signal relay)

Chip Blower Disc-Type

PAGE 144  ILLUSTRATED Parts Breakdown

DARK SURF	GRAY	LT SAND	STERLING	
6336	6305	6307	6314	Foot Control w/o Signal Relay
6436	6405	6407	6414	Foot Control w/ Signal Relay

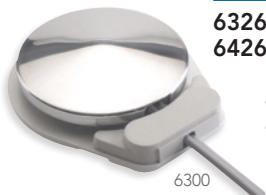


- Responsive, high volume, variable flow
- Toe touch button valve for chip blower, (2-way, momentary)
- 7' polyurethane 3-hole tubing (5-hole tubing with signal relay)

Standard Disc-Type

DARK SURF	GRAY	LT SAND	STERLING
-----------	------	---------	----------

6326	6300	6303	6309	Foot Control w/o Signal Relay
6426	6400	6403	6409	Foot Control w/ Signal Relay



6300

- Responsive, high volume, variable flow
- 7' polyurethane 2-hole tubing (4-hole tubing w/ signal relay)

Economy Disc-Type

DARK SURF	GRAY	LT SAND	STERLING
-----------	------	---------	----------

6327	6301	6304	6313	Foot Control w/o Signal Relay
------	------	------	------	-------------------------------



6301

- Responsive, high volume, variable flow
- 7' Polyurethane 2-hole tubing

Marus Foot Control Repair Kit

PN 6166 Kit (Marus #85R186)



6166

Kit Includes:

- | | | | |
|---------|----------------|---------|------------------------------------|
| PN 6011 | Large Spring | PN 5948 | Pilot Valve |
| PN 6018 | Piston | PN 9750 | 4 x 1/2 Pan Head Phillips Screw |
| PN 2210 | Piston O-Ring | PN 9746 | 6 x 1/2 Pan Head Phillips Screw |
| PN 6012 | Conical Spring | PN 6014 | 6-32 x 1/4 Pan Head Phillips Screw |
| PN 2207 | Body O-Ring | | |
| PN 9010 | Poppet | | |
| PN 6016 | Poppet Cap | | |
| PN 6013 | Toggle Spring | | |

Foot Control Toggle Kit

PN 9329 Foot Control Toggle Kit, Gray





Foot Control Toggle Valve Assembly

PN **6132** Toggle Valve Assembly

- For use in the repair of DCI & wet/dry foot controls



Wet/Dry Foot Control Repair Kit

PN **6163** Foot Control Repair Kit

- For use w/ all DCI wet/dry disc-type foot controls



Foot Control Button Valve Assembly

PN **6093** 2-way Valve Assembly (chip air)

PN **6094** 3-way Valve Assembly (scaler)

- For use in the repair of DCI & A-dec® chip blower & scaler foot controls



Chip Blower / Scaler Foot Control Repair Kit

PN **6162** Foot Control Repair Kit

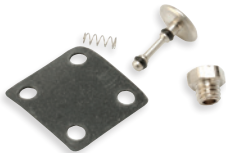
- For use w/ all DCI chip blower disc-type foot controls & scaler disc-type foot controls



Standard DCI Foot Control Repair Kit

PN **6161** Foot Control Repair Kit

- For use in the repair of all DCI standard disc-type foot controls



Signal Relay Repair Kit

PN **6165** Signal Relay Repair Kit



Foot Control Replacement Ring

PN **6046** Foot Control Ring, Gray

- Fits all DCI foot controls
- **Now includes 4 screws**

A-dec® is a registered trademark of A-dec, Inc. DCI has no affiliation with A-dec and A-dec has not authorized DCI replacement parts to be used on or in connection with A-dec® products.

Parts to fit A-dec® Foot Control III

PN 9082 Service Kit (A-dec® #90.0593.00)



Kit Includes:

- PN 8034 Silicone Lubricant (A-dec® #98.0090.01)
- PN 9010 Foot Control Poppet (A-dec® #22.0060.00)
- PN 9029 Foot Control Spring .093 OD (A-dec® #10.0440.00)
- PN 9012 Foot Control Diaphragm 3/4" (A-dec® #38.0054.00)
- PN 6042 Foot Control Compression Spring
- PN 2210 O-Ring-012 Buna (A-dec® #030.012.00)
- PN 6097 Piston-Foot Control III with seal (A-dec® #38.0760.00)
- PN 6098 Relay Valve Stem w/ O-Rings (A-dec® #22.0778.00)
- PN 9066 Compression Spring (A-dec® #22.0778.00)

Parts to fit A-dec® Foot Control II

PN 9049 Complete Repair Kit (A-dec® #90.0312.00)



Kit Includes:

- PN 9125 Main Compression "Cover Spring" (A-dec® #013.011.00)
- PN 9026 Conical "Plunger Stem" Spring (A-dec® #013.022.00)
- PN 6096 Foot Control Stem Assy (A-dec® #38.0246.00)
- PN 6098 Signal Relay Stem w/ O-Rings (A-dec® #22.0778.00)
- PN 9012 Diaphragm (A-dec® #38.0054.00)
- PN 9029 Foot Control Spring (A-dec® #10.0440.00)

Parts to fit A-dec® Foot Control I

PN 9141 Complete Rebuild Kit (A-dec® #90.0010.00)



Kit Includes:

- PN 9010 Plastic Poppet (A-dec® #22.0060.00)
- PN 9160 Piston Assembly (A-dec® #22.0083.00)
- PN 9123 Compression "Main" Spring (A-dec® #22.0135.00)
- PN 6098 Relay Stem (A-dec® #22.0778.00)
- PN 9012 Relay Diaphragm (A-dec® #38.0054.00)
- PN 9066 Compression Spring (A-dec® #22.0580.00)
- PN 9029 Foot Control Spring (A-dec® #10.0440.00)

A-dec® is a registered trademark of A-dec, Inc. DCI has no affiliation with A-dec and A-dec has not authorized DCI replacement parts to be used on or in connection with A-dec® products.

Parts to fit A-dec® Foot Control



9144

PN **9144** Lever Foot Control Service Kit (A-dec® #90.0313.00)

Kit Includes:

PN 9166	Valve Stem Assy	(A-dec® #38.0211.00)
PN 6098	Relay Stem Assy	(A-dec® #22.0778.00)
PN 9121	Extension Spring	(A-dec® #38.0208.00)
PN 9124	Compression Spring	(A-dec® #013.019.00)
PN 9012	Relay Diaphragm	(A-dec® #38.0054.00)
PN 9171	Brass Washer	(A-dec® #004.057.00)
PN 9029	Foot Control Spring	(A-dec® #10.0440.00)



Replacement A-dec® & Midmark Style Foot Control (Dark Surf)

PN **6306** A-dec® Replacement Wet / Dry & Scaler Button Foot Control
(A-dec® # 38.1601.00)

- Additional configurations available upon request, contact Customer Service



653

Replacement A-dec® & Midmark Style Asepsis 5-Hole Foot Control Tubing

PN **653** Sheathed Asepsis 5-Hole Foot Control Tubing, Dark Surf (per ft.)
(A-dec® #024.202.01) (Midmark #053-1709-00)

PN **654** Sheathed Asepsis 5-Hole Foot Control Tubing, Gray (per ft.)
(A-dec® #024.214.01) (Midmark #053-1709-00)

- 1/8" tubings, 3 ea.
- 5/16" tubings, 2 ea.
- Fits A-dec 300 & 500



TECH TIP

TUBINGS 653 & 654 ARE FOR A-DEC® UNITS WITH 5/16" TUBINGS.

They are not compatible with Cascade®
and prior delivery systems.



Replacement A-dec® Style Foot Control Toggle Kit

- PN **9329** Foot Control Toggle Kit, Gray (A-dec® #38.0075.04)
- PN **6113** Foot Control Toggle Kit, Surf (A-dec® #38.0075.03)



6110

Replacement A-dec® & Midmark Style Foot Control Parts

- PN **6110** A-dec® Foot Control Parts Wet/Dry Toggle
3-Way Valve Assembly (A-dec® #38.0604.00)



6112

- PN **6112** Scaler/Accessory Button w/ 3-Way Valve (A-dec® #38.0612.00)



6103

- PN **6111** Chip Blower Button w/ 2-Way Valve (A-dec® #38.0610.00)

- PN **6102** Foot Control Housing, No Actuator Holes
(A-dec® #38.0319.02)



6106

- PN **6103** A-dec® Foot Control Housing Actuator, 1-Hole for Toggle
(A-dec® #38.0320.02)

- PN **6106** A-dec® Foot Control Housing Actuator, 1-Hole for Button
(A-dec® #38.0763.00)



6107

- PN **6104** A-dec® Foot Control Housing, 2 Actuator Holes
(A-dec® #38.0321.02)

- PN **6107** A-dec® Foot Control II & III Retaining Ring
(A-dec® #38.0237.00)



6070

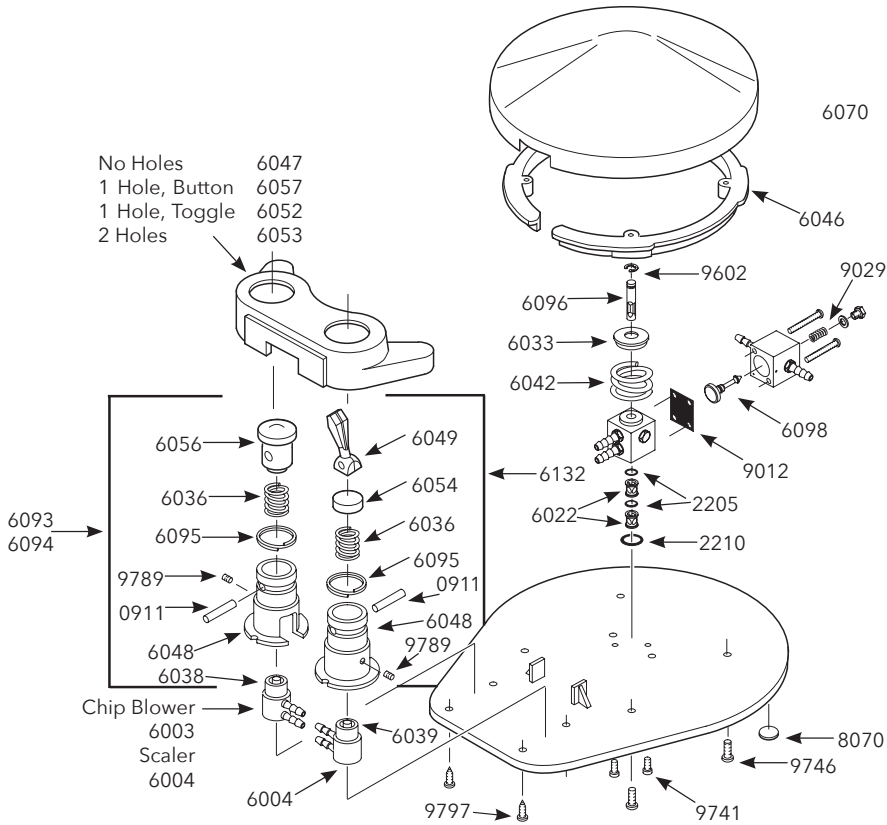
- PN **6070** Foot Control Cover, (A-dec® #22.0110.00)



6095

- PN **6095** Spring Clip, (A-dec® #010.056.00)

A-dec® is a registered trademark of A-dec, Inc. DCI has no affiliation with A-dec and A-dec has not authorized DCI replacement parts to be used on or in connection with A-dec® products.



Foot Controls Illustrated Parts Breakdown

0911	Pin	6057	Housing, 1-Hole Button (gray)
2205	O-Ring (pkg 12)	6054	Spring Cap
2210	O-Ring (pkg 12)	6056	Actuator Button
6003	Micro-Valve, 2-Way (for chip air)	6070	Foot Control Cover
6004	Micro-Valve, 3-Way	6093	Chip Blower Button Assembly
6022	Spool	6094	Scaler Button Assembly
6033	Return Ring	6095	Spring Clip, Foot Control Tower
6034	Spring	6096	Stem w/ Retaining Ring
6036	Spring	6098	Stem w/ O-Rings
6038	Stem w/ O-Rings, 2-Way	6132	Wet/Dry Toggle Assembly
6039	Stem w/ O-Rings, 3-Way	8070	Bumper Pad (pkg of 28)
6042	Spring	9012	Diaphragm (pkg of 10)
6046	Foot Control Ring (gray)	9029	Spring (pkg of 10)
6047	Housing, No Holes (gray)	9602	Retaining Ring
6048	Valve Tower	9741	Screw
6049	Toggle, Wet-Dry (gray)	9746	Screw
6052	Housing, 1-Hole Toggle (gray)	9797	Screw
6053	Housing, 2-Holes (gray)	9789	Set Screw



Retail pricing available at dciparts.com

Regulators, Filters & Valves



146-148

Utility Centers & Components



149-153

Regulators, Gauges & Filters



153

Water Security Systems



154-157

Combo & Pilot Valves



158

Handpiece & Syringe Blocks



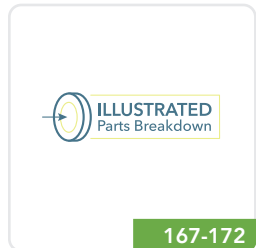
159-163

Toggle Valves



164-166

Mounting Brackets & Specialty Valves



ILLUSTRATED Parts Breakdown

167-172

Illustrated Parts Breakdown

Regulators, Filters & Valves



Trouble Shooting a Unit? Find videos for diagnosing slow handpieces, combo valve & shut off block repair, needle valve & cartridge valve adjustment at the DCI Video Library.



Asepsis Utility Center

WHITE | **GRAY**

8329	8909	Utility Center w/ Frame & Cover
8314	8908	Cover & Frame Only
8316	8907	Cover Only
8327		Utility Center, Less Frame & Cover

- Two manual shut-offs (7099)
- Accommodates up to 1 3/4" umbilicals
- Air and water regulators w/ 10-32 threads
- Cover dimensions are 14 1/2" x 14 3/4" x 5 1/16"
- One on/off toggle (7016)
- Two pressure gauges (7260)
- One dual master valve (7135)

Standard Utility Center

BLACK | **GRAY**

8320	8321	Standard Utility Center w/ Housing & Cover
8310	8312	Utility Center Housing Only, w/ Cover
8301	8203	Replacement Cover for Utility Center
8322		Utility Center, Less Housing & Cover



- Mounts on floor or wall (plumbing template included)
- Slotted holes allow installation without disconnecting tubing
- Accommodates up to 1 3/4" umbilicals
- Two master shut-off valves w/ 1/2" MPT to 3/8" compression fittings (0904)
- Stainless steel housing 14"x 9"x 4 1/2"
- Two non-relieving regulators (7220)
- Two pressure gauges (7260)
- Two in-line filters (7250)
- Two manual shut-off valves (7099)

Economy Utility Center

BLACK | **GRAY**

8326	8324	Economy Utility Center w/ Housing & Cover
8310	8312	Utility Center Housing Only, w/ Cover
8301	8203	Replacement Cover for Utility Center
8323		Economy Utility Center, Less Housing & Cover

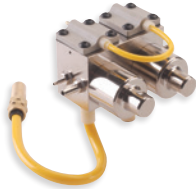


- Provides filtered, regulated air & water for assistant's unit
- Mounts on floor or wall (plumbing template included)
- Accommodates up to 1 3/4" umbilicals
- Two integrated master shut-off valves w/ regulator & filter (7212)
- Two manual shut-off valves (7099)
- 3-way on/off toggle valve (7016)
- Stainless steel housing 14" x 9" x 4 1/2"





Visit the DCI Video Library for a demonstration on repairing shut-off valves.



Dual Master Shut-off Valves w/ Filters

PN 7135 Dual Master Shut-Off Valve Assembly w/ Filters

- Provides shut-off for air & water
- One 1/4" barb fitting for air
- One 1/8" barb fitting for master control valve
- One 1/8" barb fitting for water
- 40 micron water & air filter
- 3/8" compression tube connection for air & water (0044)



PN 7125 Dual Master Shut-Off Valve Kit
PN 7119 Master Shut-Off Valve (w/ double-barb cap)
PN 7120 Master Shut-Off Valve (w/ single-barb cap)
PN 7126 Replacement Diaphragm for 7119 & 7120
PN 7311 Master Shut-Off Block Repair Kit

PAGE 172 ILLUSTRATED Parts Breakdown

- For remote or utility center installation
- Master shut-off valves feature: pilot-actuated shut-off, 1/8" FPT inlet, 1/4" poly outlet, 10-32 barbs w/sleeves to connect 1/8" O.D. tubing
- Kit (7125) includes: two master shut-off valves, (7119 & 7120) two 1/8" MPT by 3/8" copper compression fittings (0100), 3-way on/off toggle valve (7016), two 1/4" poly by 1/8" MPT fittings (0053)

FEATURED

Integrated Master Shut-off Valve / Regulator / Filter

PAGE 172 ILLUSTRATED Parts Breakdown



PN 7212 Integrated Shut-Off Valve
PN 7289 Integrated Master Shut-Off Valve w/ 1" Gauge
PN 7247 Filter Element, 40 Micron
PN 7208 Regulator Only, 3 ports
PN 7291 Original Style Cap Filter w/ O-Ring, Gray
PN 7311 Master Shut-off Block Repair Kit (for 7212)

- Non-relieving regulator, piston type
- 150 PSI maximum for regulator
- 40 micron filter element
- Turn clockwise to increase pressure
- PN 7311 rebuild kit for PN 7212
- Integrated 3/8" compression tube to adapt to 7100 & 7099 manual shut-off valve
- PN 7212 includes 10-32 x 1/8" barb & washer



Manual Shut-off Valves

PN 7100 Manual Shut-Off Valve 1/2" FPT Inlet
PN 7099 Manual Shut-Off Valve 1/2" Nominal Compression

- 1/2" nominal compression (7099)
- 1/2" FPT inlet (7100)
- 3/8" O.D. tube compression fitting outlet

Non Relieving Regulator Kit



PN **7222** Non Relieving Regulator Kit
 PN **7220** Regulator Only
 PN **7223** Bracket & Nut

- Regulator (7220)
- In-line filter (7250)
- Round gauge (7260)
- Mounting bracket (7223)
- 1/4" poly x 1/8" MPT connector (0053)
- 1/8" MPT close nipple (0094)
- For use w/ air or water
- Maximum 125 PSI
- Turn clockwise to increase pressure

Junction Box Valve Kit



PN **9118** Junction Box Valve Kit

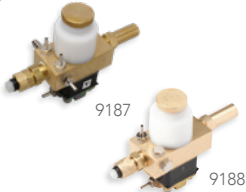
- Air & water Shut-Off w/ filter element
- 40 micron filter element
- Air pilot controlled
- Includes 3 Way on/off toggle valve
- 3/8" compression inlet

FEATURED



Shut Off Valve, Regulator & Filter

PN **7287** Master Shut-Off Valve/Regulator/Filter for Air, 125 PSI Maximum
 PN **7288** Master Shut-Off Valve/Regulator/Filter for Water



Shut Off Valve Assembly

PN **9187** Air Single Shut-Off Valve Assembly & Filter
 PN **9188** Water Single Shut-Off Valve Assembly & Filter

- For air or water
- Includes 40 micron filter
- 3/8" compression tube connection



Cuspidor/Cup Filler Time Delay Valve Assembly

PN **9275** Time Delay Valve

- Controls length of time bowl or cup fill is activated
- 1/4" poly inlet & outlet



Manual Air Shut-off Kit w/ Regulator

PN **7117** Manual Air Shut-off Kit w/ Regulator

- Used on air only
- Includes shut-off valve, regulator, & in-line filter
- Turn clockwise to increase pressure





Dentsply SPS Type Water Regulator

PN **7199** Dentsply SPS Type Water Regulator (Dentsply #80742)

- Fits Cavitron Jet w/ SPS Technology & Cavitron w/ SPS Technology



Dentsply Water Regulator w/ Extended Stem

PN **7209** Dentsply Water Regulator w/ Extended Stem (Dentsply #79685)

- Fits Dentsply models w/ extended stem
- Includes 1/4" poly flow connector



Dentsply™ Style Regulator

PN **7094** Regulator (Dentsply #60407)

- Includes 1/4 x 10-32 poly connector (0054)
- To fit the following units: Cavitron® 3000 & 2002, Prophy-Jet® 30, Cavi-Jet® 30, Cavi-Endo® 25, Cavi-Med



Mini Fixed Regulator

PN **9155** Mini Regulator, 35 PSI Fixed

- Non relieving
- Air or water
- 1/16" barb fitting
- 120 PSI max input



7203

Mini Regulators

PN **7203** 10-32 Input, Non-Relieving
 PN **7204** 1/8" NPT Input, Non-Relieving
 PN **7205** 10-32 Input, Self-Relieving (for air only)
 PN **7206** 1/8" NPT Input, Self-Relieving

- 150 PSI maximum
- Piston type
- Non- or self-relieving
- Mounting hardware 15/32-32 thread w/ nut
- Water or air
- Turn clockwise to increase pressure



Air Filter Regulator (Brass)

PAGE 171  ILLUSTRATED Parts Breakdown

- PN 7225 Air Filter Regulator
- PN 7254 Filter Element, 5 Micron w/ Bowl Seal
- PN 7252 Moisture Separator Bowl
- PN 7223 Mounting Bracket & Nut

- 1/8" FPT ports
- Quick removal threaded bowl
- Self-relieving
- Filter w/ 5 micron element
- Corrosion resistant construction
- Diaphragm operated
- Must be mounted in vertical position
- Turn clockwise to increase pressure



Air Filter Regulator (Coated Aluminum)

PAGE 171  ILLUSTRATED Parts Breakdown

- PN 7241 Air Filter Regulator
- PN 7238 Moisture Separator Bowl
- PN 7242 Filter Element, 40 Micron Green Threads
- PN 2239 Bowl Seal (pkg of 12)
- PN 7223 Mounting Bracket & Nut

- 1/8" FPT ports
- Quick removal threaded bowl
- Filter w/ 40 micron element
- Diaphragm operated
- Self-relieving
- Must be mounted in vertical position
- Turn clockwise to increase pressure



Pressure Gauge Rectangular

- PN 7270 Rectangular Air Gauge

- 0-60 PSI reading
- For air only
- 1/2" H x 1 3/4" W





7274

Mini Pressure Gauges 1"

PN **7274** 0-60 PSI

PN **7279** 0-100 PSI

- 1" face
- 1/8" NPT / 10-32 Female



Pressure Gauge 1 1/2" Face

PN **7265** Panel Mount Pressure Gauge

- 0-100 PSI pressure reading
- Panel-mount bracket requires 1 5/8" hole
- 1 1/2" diameter
- 10-32 I.D. thread rear, 1/8" MPT thread
- For air or water



Pressure Gauge 1 1/2" Face

PN **7281** Bottom Mounted Pressure Gauge

- 0-100 PSI pressure reading
- 1 1/2" diameter
- 1/8" MPT thread
- For air or water



Pressure Gauge 1 1/2" Face

PN **7260** Rear Mounted Pressure Gauge

- 0-160 PSI pressure reading
- For air or water
- 1 1/2" diameter
- 1/8" MPT thread / 10-32 Female



Pressure Gauge 1 1/2" Face

PN 7290 Bottom Mounted Pressure Gauge

- 0-160 PSI pressure reading



2826

Pressure Gauges 2" Face

PN 2826 Economy
PN 2856 Liquid Filled

- 2" dial face
- 0-160 PSI
- 1/4" MPT Center back connection



7268

Vacuum Gauge

PN 7268 Vacuum Gauge, bottom mount

- 1/4" NPT Bottom connection
- 0-30" hg



7246

7247

7291

Air or Water Filter

PN 7246 Air/Water Filter
PN 7291 Cap Filter w/O-Ring, Gray
PN 7247 Element (ea.)
PN 7248 Element (pkg of 6)

- 1/8" FPT ports
- 40 micron replaceable element



7250

7282

In-Line Filters 1/8" FPT or 10-32 Port

PN 7250 In-Line Filter, 1/8" FPT
PN 7251 In-Line Filter, 10-32 Port
PN 2215 O-Ring (pkg of 12)
PN 7253 Bronze Filter Disc (pkg of 2)
PN 7282 Stainless Filter Disc (pkg of 2)

- 35 micron filtration
- Air or water
- 1" diameter x 1" long

PAGE 171  ILLUSTRATED Parts Breakdown



FEATURED

Water Security Systems

- PN 2396 3/4" System, PEX, w/ Filter & 24 Volt Relay
- PN 2395 1" System w/ Filter & 24 Volt Relay



2396

- Filters incoming water supply & shuts off water from control panel
- Remote shut off of all water supply to dental equipment to prevent accidental water damage
- Allows servicing without disruption to the dental practice
- 20 Micron Filter



2051

Water Filter Replacement Cartridge

- PN 2051 Water Filter 2 1/2" x 10" (pkg of 2)
- PN 2076 Water Filter 4 1/2" x 10" (pkg of 2)

- Fits most standard housings
- Pleated design captures more debris
- 20 Micron Filter
- PN 2051 fits 3/4" systems
- PN 2076 fits 1", 1 1/4" & 1 1/2" systems



7239

Air Filter / Moisture Separator

- PN 7239 Air Filter Moisture Separator, 5 Micron Filter 7236
- PN 7238 Moisture Separator Bowl
- PN 7236 Filter Element, 5 Micron, Black Threads
- PN 2239 Bowl O-Ring, (pkg of 12)

- 1/8" FPT ports
- Quick removal threaded bowl



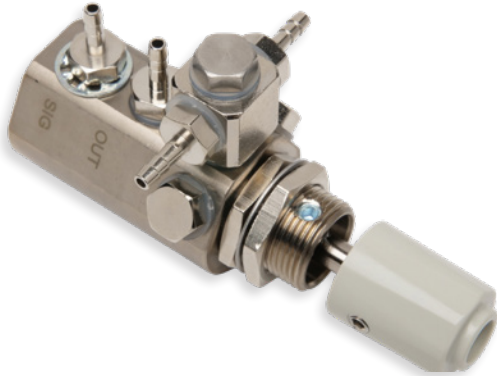
7234

7283

Disposable Inline Filter

- PN 7234 Inline Filter 74 Micron Filtration, 1/4" Barbs
- PN 7283 Inline Filter 43 Micron Filtration, 1/8" Barbs

- For use w/ air or water
- Nylon construction



7302

Water Relay & Flow Control Combo Valves

DCI Water Relay & Flow Control Combo Valves are a new design that no longer require a one-way barb. They are non-retracting and feature a smoother and quicker activation.

FEATURED

Water Relay & Flow Control Combo Valves

- PN **7139** Water Relay w/ Flow Control
- PN **7068** Water Relay, non-retracting
- PN **7302** Water Relay w/ Double Barb Swivel
- PN **7304** Water Relay, Combo Valve w/ Double Barb Swivel, Black Knob
- PN **7305** Water Relay, Combo Valve w/ Single Barb Swivel, Black Knob
- PN **7306** Water Relay, Combo Valve w/ Black Knob
- PN **7307** Water Relay, Combo Valve, Barb on DCI Side, Black Knob
- PN **7309** New Style, Repair Kit for 7139 Valve
- PN **7133** Old Style, Repair kit for 7130 Valve

- Non retraction type
- Combination pilot valve & needle valve
- 10-32 side ports
- Low Activation Pressure of 25 PSI
- Used on DCI Edge Series 4 and Series 5 units
- Precision Flow Control



**Non-Retracting**

Eliminates the possibility that water can backflow into the unit, meeting ADA requirements to prevent cross-contamination.

No Longer Requires One-Way Barb

Expand your options with combo valves that no longer use a one-way barb.

Smoother and Quicker Activation

Smooth, quick activation assures instant on/off without drips or run on.



Water Relay & Flow Control Combo Valves to Fit Midmark Units

PN 7187 Midmark Combo Valve (Midmark #029-3411-00)

- Water relay valve with flow control
- Replacement for most newer Midmark Dental Units
- 35 PSI activation pressure
- Signal relay foot control required

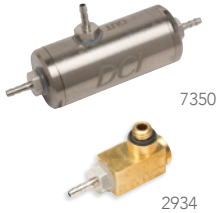
PN 7185 Flow Control Knob, Blue (Midmark #053-1165-01)

PN 7186 Flow Control Knob, Surf (Midmark #053-1165-00)

- 1/4" Brass insert shaft
- Smooth type knob

FEATURED

Water Relay Retracting



PN **7350** Water Relay, Standard

- Activates at 20 PSI

PN **7351** Water Relay, Mini

- Activates at 35 PSI

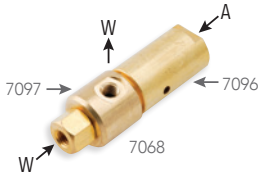
PN **7352** Water Relay, Compact

- Activates at 30 PSI
- Normally Closed

PN **2934** Quick Exhaust Valve

- 10-32 ports to adapt to water relays
- Relieves air pressure immediately upon release

FEATURED



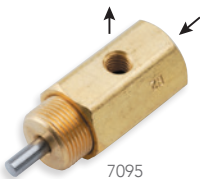
Water Relay Non-Retracting

PN **7068** Water Relay w/ Actuator

PN **7096** Actuator Only

PN **7097** Water Relay Only

- Activates at 20 PSI
- Normally closed
- 10-32 ports
- 1/16" barbs & washers



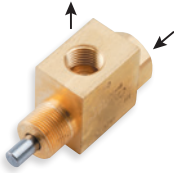
Pilot Actuated Relay Valves

PN **7095** Normally Open

PN **7097** Normally Closed

- Requires actuator 7096
- 10-32 ports
- 2-way (non-relieving)
- For air or water

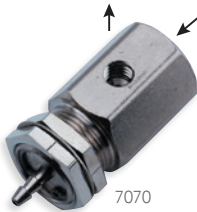




Pilot Actuated Valve

PN 7073 Pilot-Actuated Valve

- Requires actuator 7096
- Normally closed
- 1/8" FPT ports
- 2-way (non-relieving)
- For air or water



Air Pilot Valves

PN 7070 2-Way w/o Exhaust Normally Closed (for air & water)

PN 7071 2-Way w/o Exhaust Normally Open (for air & water)

PN 7075 3-Way w/ Exhaust Normally Closed (for air only)

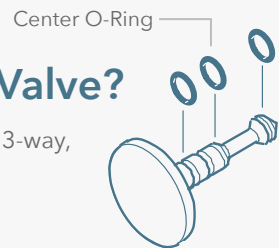
- Barb fitting for 1/8" O.D. tubing
- Air actuated on/off control
- Requires 25 PSI
- Panel-mount 15/32-32 thread w/ nut



TECH TIP

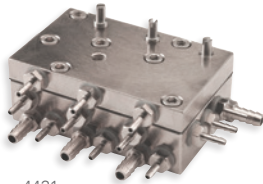
Do you need a 2-Way or 3-Way Valve?

When in doubt get a 2-way. If it turns out you need a 3-way, simply remove the center O-Ring on the stem!



FEATURED

Handpiece Block Single-Piece Assembly



4421

PN 4380 Twin-Block w/ Long Adjustment Screws

PN 4382 Twin-Block w/ Std. Adjustment Screws

PN 4421 Tri-Block w/ Std. Adjustment Screws

PN 4435 Tri-Block w/ Long Adjustment Screws

- Used on DCI Edge Series 4/5 Delivery Systems

PN 4425 Quad-Block w/ Std. Adjustment Screws

PN 4438 Quad Block w/ Long Adjustment Screws.

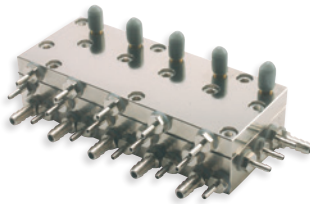
- Used on DCI Edge Series 4/5 Delivery Systems

PN 4428 Quad-Block, Series 5

PN 4427 Quin-Block w/ Std. Adjustment Screws

PN 4432 Drive Air Adjusting Screw

PN 4426 Mounting Bracket



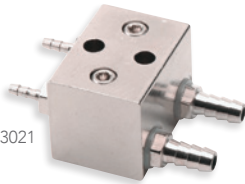
4427

- Works with normally closed automatic handpiece holders
- Consistent flow control for handpiece pressure adjustments
- Higher output due to improved airflow
- Longer lasting diaphragm
- No internal cross-over of air or water
- Twin-Block dimensions, 1 1/2" x 1 1/2" x 1"
- Tri-Block dimensions, 2 3/8" x 1 1/2" x 1"
- Quad-Block dimensions, 3 1/8" x 1 1/2" x 1"
- Quin-Block dimensions, 3 3/4" x 1 1/2" x 1"



PN 4093 Control Block

- Allen adjusting screws for air & water
- Mounting hardware
- 10-32 Barbs for 1/8" and 1/4" O.D. tubing



3021

Flow Control Connector Block

PN 3021 Syringe Block

PN 2110 Flow Adjusting Screw

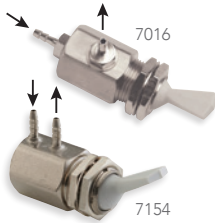
- For use on DCI 4102 & other manual handpiece control systems
- Includes all barb fittings
- Handpiece pressure adjustment



PN 7321 Muffler

- Can be mounted through frame for removal from outside control head
- Will handle up to four handpieces
- Compact size to fit inside control head
- Minimum back pressure
- Filter media is standard cotton swab material





Toggle On/Off Valve, Hex Body

BLACK | GRAY

7010	7012	2-Way Valve
7015	7016	3-Way Valve
	7154	3-Way Valve, Side Ported

- Panel-mounting 15/32-32 thread w/ nut
- 2-way for air or water; 3-way for air only

PAGES **167**
168 ILLUSTRATED
Parts Breakdown

FEATURED



Needle Valve, Hex Body

BLACK | GRAY

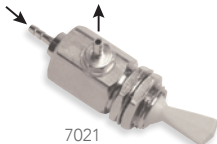
7050	7052	Needle Valve
7197		Needle Valve w/ Large Knob
7059	7069	Knob
7042		Large Knob
	7017	Side Port Needle Valve
7054		Side Port Needle Valve, Fine Adjustment

- Fine flow control adjustment for air or water
- Panel-mounting 15/32-32 thread w/ nut
- Includes 1/16" hex allen wrench

PAGE **170** ILLUSTRATED
Parts Breakdown

FEATURED

PAGE **167** ILLUSTRATED
Parts Breakdown



Toggle Momentary Valve, Hex Body

BLACK | GRAY | GRAY/SIDE-PORT

7020	7021		2-Way Valve N.C.
7025	7026		3-Way Valve N.C.
	7027	7157	3-Way Valve N.O.
		7013	3-Way Valve N.C.

- Panel-mounting 15/32-32 thread w/ nut
- 2-way for air or water; 3-way for air only

FEATURED

PAGE **167** ILLUSTRATED
Parts Breakdown



Toggle Routing, Selector, Valve Hex Body

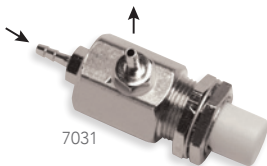
BLACK | GRAY

7000	7001	Routing Valve
	7176	Routing Valve w/ 1/16" Barbs.

- Toggle on/off for routing
- Panel-mounting 15/32-32 thread w/ nut
- For air or water

Push Button Momentary Valve, Hex Body

PAGE **168** ILLUSTRATED
Parts Breakdown



BLACK | GRAY

7030	7031	2-Way, N.C.
7035	7037	3-Way, N.C.
	7036	3-Way, N.O.

- Positive on/off control
- Panel-mounting 15/32-32 thread w/ nut
- 2-way for air or water; 3-way for air only



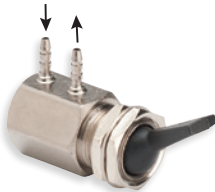
7055

Flow Control Valve, Hex Body

BLACK	GRAY
-------	------

7055	7056	Pinch Valve
7059	7069	Knob

- Variable restriction for air & water
- Pinch valve
- Accommodates 1/8" or 1/4" O.D. tubing



7040

Toggle On/Off Valve Hex Body, Side Port

BLACK	GRAY
-------	------

7040	7152	2-Way Valve
7045	7154	3-Way Valve

- Panel-mounting 15/32-32 thread w/ nut
- 2-way for air or water; 3-way for air only
- Port barb for 1/8" O.D. tubing

PAGE 169 ILLUSTRATED Parts Breakdown

FEATURED



7156

Toggle Valve Side Port, Round Body

BLACK	GRAY
-------	------

7155	7156	3-Way Valve, On/Off
	7158	2-Way Valve, N.C., Momentary

- Port barb for 1/8" O.D. tubing
- Round body
- 3-way for air only
- Panel-mounting 15/32-32 thread w/ nut

PAGE 168 ILLUSTRATED Parts Breakdown

PAGE 169 ILLUSTRATED Parts Breakdown



7151

Toggle Routing, Selector Valve Round Body

BLACK	GRAY
-------	------

7150	7151	Selector Valve
------	------	----------------

- Panel mounting 15/32-32 thread w/ nut
- Routes signal air
- Port barb for 1/8" O.D. tubing
- Exhausting valve, for air only

PAGE 170 ILLUSTRATED Parts Breakdown



7166

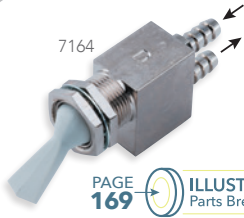
Momentary Cup Filler Valve, Round Body

BLACK	GRAY
-------	------

7167	7166	Cuspidor Valve
------	------	----------------

- Threaded hex fitting for flow
- 2-way (non-exhausting) for water
- Positive on/off control
- Panel-mounting 15/32-32 thread w/ nut





Toggle On/Off "Rear Ported" Valves

BLACK | GRAY

7163 | **7164** 2-Way Valve for air or water
7160 | **7161** 3-Way Valve for air only

PAGE 169 ILLUSTRATED Parts Breakdown

- Positive on/off control
- Panel-mounting 15/32-32 thread w/ nut



Toggle Momentary On/Off "Rear Ported"

BLACK | GRAY

7168 | **7169** 2-Way Valve for air or water

- Rear ported valve
- Panel-mounting 15/32-32 thread w/ nut

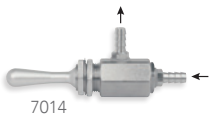


Replacement Toggles

BLACK | GRAY

7038 | **7039** Momentary Toggle w/ Pin
7123 | **7124** On/Off Toggle w/ Pin

FEATURED



Extended Handle Toggle Valves (Aluminum)

PN **7014** 2-way Valve
 PN **7009** 3-way Valve
 PN **7024** Aluminum Toggle Only

- Extended Handle
- Momentary action
- 2 & 3-way configurations used on cup fillers & cuspidors



Air On/Off Indicators

PN **7285** Green
 PN **7280** Red

- 10-32 Port with barbs for 1/8" O.D. tubing
- 25-120 PSI
- Panel-mount



Automatic Handpiece Holder Valves

PN **5947** Normally Open Side Port
 PN **5948** Normally Closed Side Port
 PN **5989** Normally Open Rear Port
 PN **5983** Normally Closed Rear Port

- 5948 normally closed is used for 5940, 5960 & 4592 handpiece holders
- 5983 normally closed is used for 4561
- 5947 normally open is used for positive air signal

DCI Cartridge Valves

A quick turn of the cartridge allows for simple removal and another quick turn with the replacement cartridge gets you back up and running. It's as simple as that.

- Removable cartridge insert
- Direct replacement for most OEM valves
- Color coded cartridge for easy identification
- Increased flow
- Quick & simple 60 degree turn to remove or insert



↑ Insert cartridge into the valve



60° Turn 60 degrees to replace insert

FEATURED

VALVE PN	CART #	COLOR	
7800		Brown	Valve, Toggle (Black), 2-Way, On-Off, N.C.
	7900	Brown	Cartridge Replacement, Toggle (Black), 2-Way, On-Off, N.C.
7801		Brown	Valve, Toggle (Gray), 2-Way, On-Off, N.C.
	7901	Brown	Cartridge Replacement, Toggle (Gray), 2-Way, On-Off, N.C.
7802		Blue	Valve, Toggle (Black), 3-Way, On-Off, N.C.
	7902	Blue	Cartridge Replacement, Toggle (Black), 3-Way, On-Off, N.C.
7803		Blue	Valve, Toggle (Gray), 3-Way, On-Off, N.C.
	7903	Blue	Cartridge Replacement, Toggle (Gray), 3-Way, On-Off, N.C.
7810		Brown	Valve, Toggle (Black), 2-Way, Momentary, N.C.
	7910	Brown	Cartridge Replacement, Toggle (Black), 2-Way, Momentary, N.C.
7811		Brown	Valve, Toggle (Gray), 2-Way, Momentary, N.C.
	7911	Brown	Cartridge Replacement, Toggle (Gray), 2-Way, Momentary, N.C.
7812		Blue	Valve, Toggle (Black), 3-Way, Momentary, N.C.
	7912	Blue	Cartridge Replacement, Toggle (Black), 3-Way, Momentary, N.C.
7813		Blue	Valve, Toggle (Gray), 3-Way, Momentary, N.C.
	7913	Blue	Cartridge Replacement, Toggle (Gray), 3-Way, Momentary, N.C.
7817		Green	Valve, Toggle (Gray), 3-Way, Momentary, N.O.
	7917	Green	Cartridge Replacement, Toggle (Gray), 3-Way, Momentary, N.O.
7821		Brown	Valve, Push Button (Gray), 2-Way, Momentary, N.C.
	7921	Brown	Replacement Cartridge, Push Button (Gray), 2-Way, Momentary, N.C.



VALVE PN	CART #	COLOR	
7823		Blue	Valve, Push Button (Gray), 3-Way, Momentary, N.C.
	7923	Blue	Replacement Cartridge, Push Button (Gray), 3-Way, Momentary, N.C.
7827		Green	Valve, Push Button (Gray), 3-Way, Momentary, N.O.
	7927	Green	Replacement Cartridge, Push Button (Gray), 3-Way, Momentary, N.O.
7831		Blue	Valve, Roller (SST), 3-Way, Momentary, N.C.
	7931	Blue	Replacement Cartridge, Roller (SST), 3-Way, Momentary, N.C.
7835		Red	Valve, Routing, Toggle (Black), On/Off, Side & Rear Ported
	7935	Red	Replacement Cartridge, Routing, Toggle (Black), On/Off, Side & Rear Ported
7836		Red	Valve, Routing, Toggle (Gray), On/Off, Side & Rear Ported
7842		Red	Valve, Routing, Toggle (Black), On/Off
7843		Red	Valve, Routing, Toggle (Gray), On/Off
	7936	Red	Replacement Cartridge, Routing, Toggle (Gray), On/Off, Side & Rear Ported • Replacement for 7836, 7842, and 7843
7845		Brown	Valve, Toggle (Black), Side Ported, 2-Way, On-Off, N.C.
	7945	Brown	Replacement Cartridge, Toggle (Black), Side Ported, 2-Way, On-Off, N.C.
7847		Blue	Valve, Toggle (Black), Side Ported, 3-Way, On-Off, N.C.
	7947	Blue	Replacement Cartridge, Toggle (Black), Side Ported, 3-Way, On-Off, N.C.
7850		Blue	Valve, Toggle (Gray), 2-Way, Momentary, N.C., Side-Ported
	7950	Blue	Replacement Cartridge, Toggle (Gray), 2-Way, Momentary, N.C., Side-Ported
7851		Blue	Valve, Toggle (Gray), Side Ported, 3-Way, Momentary, N.C.
	7951	Blue	Replacement Cartridge, Toggle (Gray), Side Ported, 3-Way, Momentary, N.C.
7852		Blue	Valve, Toggle (Gray), Side Ported, 3-Way, Momentary, N.O.
	7917	Green	Cartridge Replacement, Toggle (Gray), 3-Way, Momentary, N.O.



7821



7843



7836, 7936



7831



7801



6559

Air & Water Auxiliary Q.D. Panels

GRAY	WHITE	
6559	6569	Auxiliary Panel

- 1/4" Water quick connect w/ flow control
- Available in white or gray
- 3/8" Air quick connect w/ on/off switch
- Dimensions 3" x 4"



7078

Valve / Switch / Q.D. Mounting Brackets

PN 7078	Single Mount, L: 1.5" H: 7/8" W: 3/4"
PN 7079	Dual Mount, 3" H: 7/8" W: 3/4"
PN 7114	Triple Mount, L: 3" H: 7/8" W: 3/4"

- 1/2" I.D. mounting holes
- White powder coat finish
- Mounts toggles, indicators, Q.D.'s & air electric switches



3/4" & 1/2" I.D. Mounting Bracket

PN 7113	Q.D. Mounting Bracket, L: 3" H: 7/8" W: 3/4"
---------	--

- One 1/2" mounting hole
- One 3/4" mounting hole
- White powder coat finish



7080

Air Actuated Switches

PN 7080	25 PSI Normally Open
PN 7087	25 PSI Normally Closed
PN 7084	10 PSI Normally Open
PN 7089	10 PSI Normally Closed

- 7080 & 7087 activated at 25 PSI, 5 A
- 7084 & 7089 activated at 10 PSI, 1 A
- 15/32-32 thread w/ nut
- On/off control of up to 120v, 5 amp
- 125 PSI max



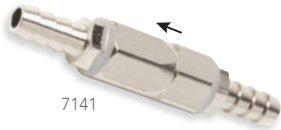


7090

Shuttle Valves

PN 7090 1/8" Shuttle Valve
 PN 7092 1/4" Shuttle Valve

- For routing two different flows through one output
- For 1/8" & 1/4" tubing



7141

Miniature Inline Check Valves

PN 7085 1/8" FPT
 PN 7140 Check Valve w/ Ball, 1/16" Barb
 PN 7141 Check Valve w/ Ball, 1/8" Barb

- For use w/ non-retraction water systems



Flow Restrictor

PN 7022 Flow Restrictor

- Variable control for air & water
- For 1/8" O.D. or 1/4" O.D. tubing



2151

Ball Valves

PN 2151 Ball Valve, 1/4" FPT
 PN 2152 Ball Valve 1/2" FPT
 PN 2150 Ball Valve 3/8" FPT

- For use w/ water, oil or gas (WOG)
- 29" Hg to 600 PSI rated



Cavitron Water Solenoid Valve Assembly

PN **9404** Cavitron Water Solenoid Valve Assembly
(Dentsply #776030250)

- 24 Volt
- 1/8" FPT



Dentsply SPS Style Water Solenoid Valve

PN **2939** Dentsply SPS Style Water Solenoid Valve
(Dentsply #571070003)

- Fits Dentsply Cavitron SPS w/ SPS Technology & Cavitron Jet w/ SPS Technology
- 24 Volt DC
- Two 1/8" FPT ports



Water Solenoid Valves

PN **2830** 24 Volt AC
 PN **2831** 115 Volt AC
 PN **2832** 230 Volt AC

- 2-way normally closed
- 1/8" NPT
- 24 / 115 / 230 Volt AC
- Conduit hub mount
- 1/32" Orifice



Water Solenoid Valves

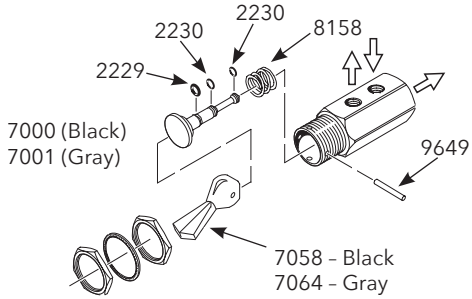
PN **2827** 24 Volt AC
 PN **2828** 115 Volt AC
 PN **2829** 230 Volt AC

- 2-way normally closed
- 1/8" NPT
- 1/16" orifice
- 24 / 115 / 230 Volt AC
- 12" leads / no conduit hub mount

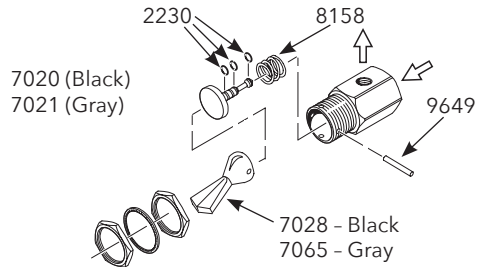
2827



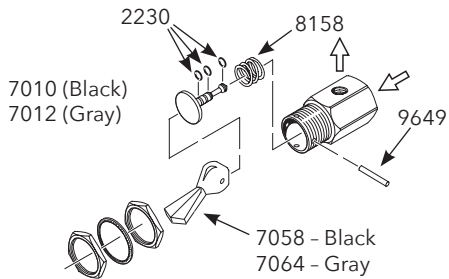
Routing Valve



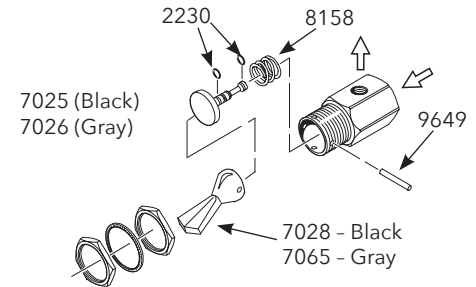
Toggle Valve, 2-Way Momentary



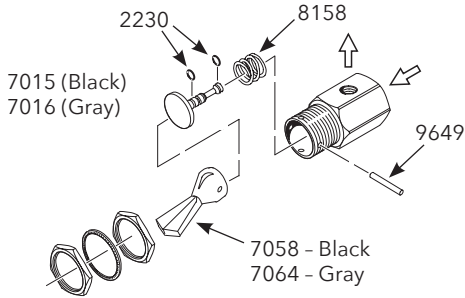
Toggle Valve, 2-Way



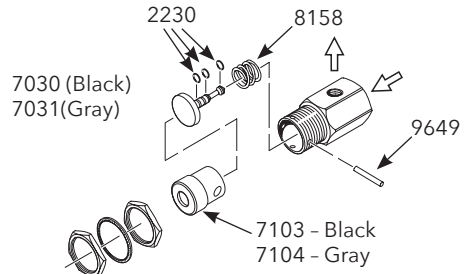
Toggle Valve, 3-Way Momentary



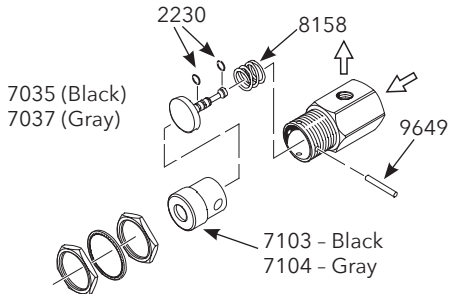
Toggle Valve, 3-Way



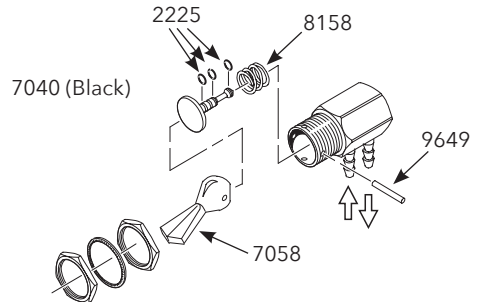
Push-Button Valve, 2-Way



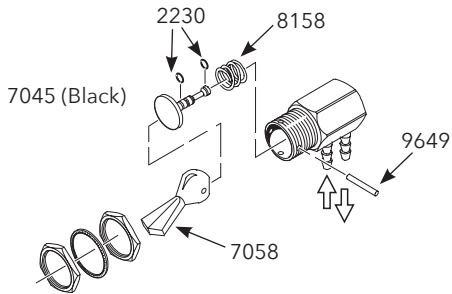
Push-Button Valve, 3-Way



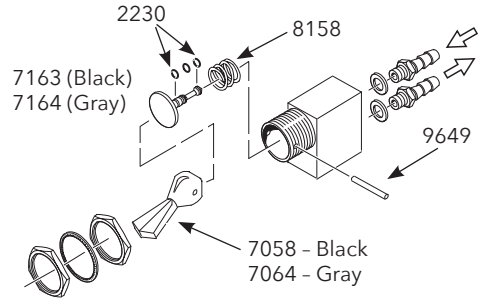
Toggle Valve, 2-Way



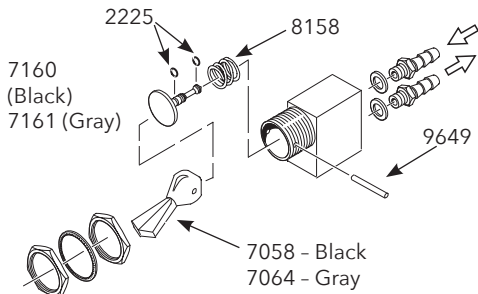
Toggle Valve, 3-Way



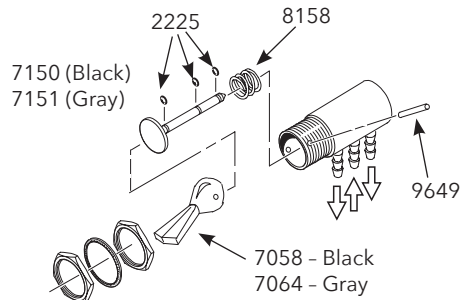
Toggle Valve, 2-Way



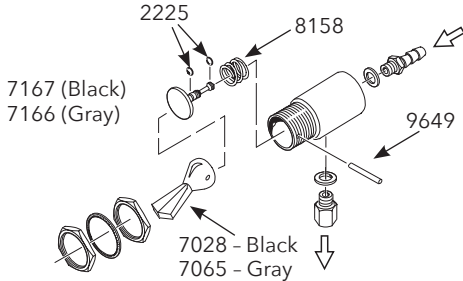
Toggle Valve, 3-Way



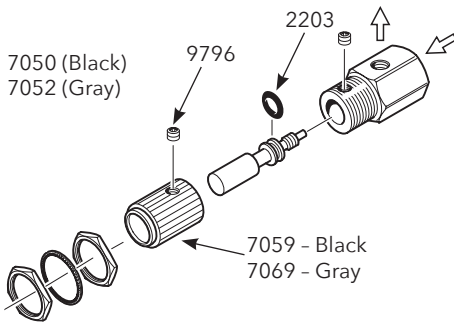
Routing Valve



Toggle Valve, 3-Way Momentary



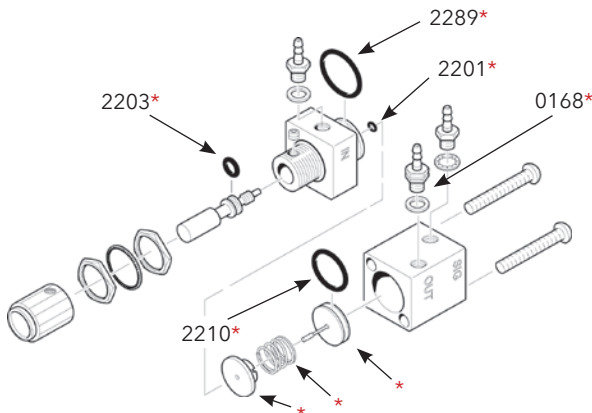
Needle Valve



Toggles, Valves & Regulators Illustrated Parts Breakdown

- 2201** O-Ring (pkg of 12)
- 2203** O-Ring (pkg of 12)
- 2205** O-Ring (pkg of 12)
- 2218** O-Ring (pkg of 12)
- 2225** O-Ring (pkg of 12)
- 2233** O-Ring (pkg of 12)
- 2238** O-Ring (pkg of 12)
- 6037** Spring, Stainless Steel
- 7028** Toggle, Momentary (black)
- 7058** Toggle, Detented (black)
- 7059** Knob (black)
- 7064** Toggle, Detented (gray)
- 7065** Toggle, Momentary (gray)
- 7069** Knob (gray)
- 7103** Push Button (black)
- 7104** Push Button (gray)
- 8158** Spring, Compression
- 9649** Pin
- 9796** Set Screw

Water Relay & Flow Control Combo Valve 7130



- 2201** O-Ring (pkg of 12)
- 2203** O-Ring (pkg of 12)
- 2210** O-Ring (pkg of 12)
- 2289** O-Ring (pkg of 12)
- 0168** Duck Bill Barb

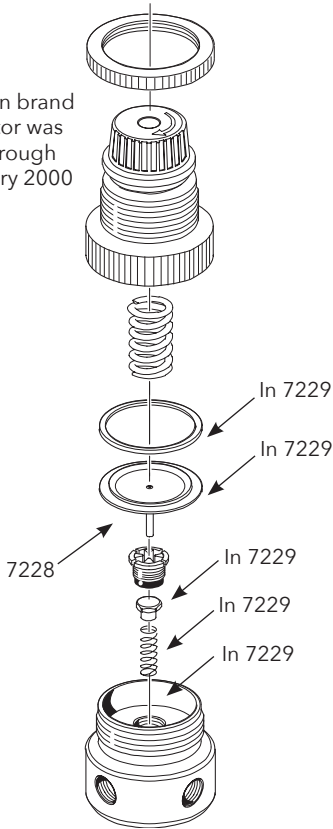
Water Relay & Flow Control Combo Valve

Repair Kits include items designated by an asterisk

- 7133** Repair Kit

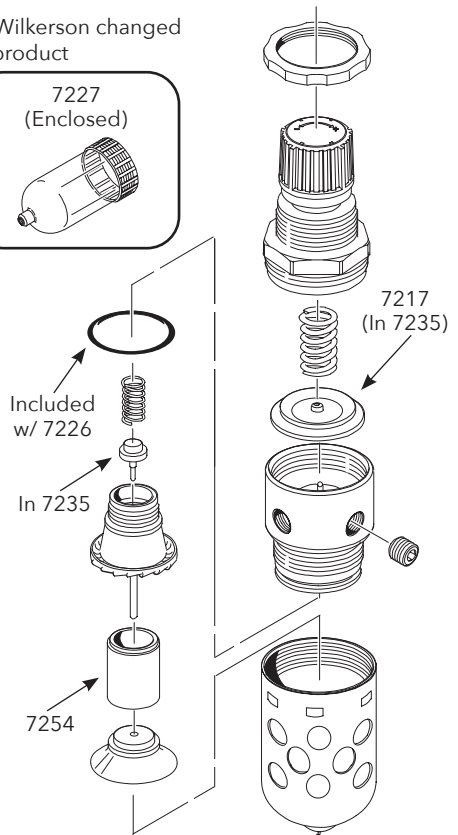
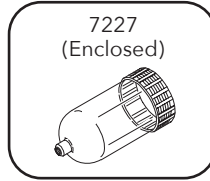
Norgren Style Regulator Parts

- Norgren brand regulator was sold through February 2000



Wilkerson Style Air Filter Regulator Parts

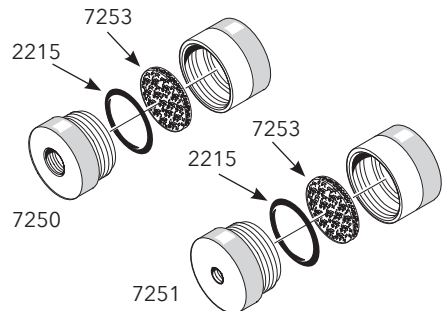
- Wilkerson changed product



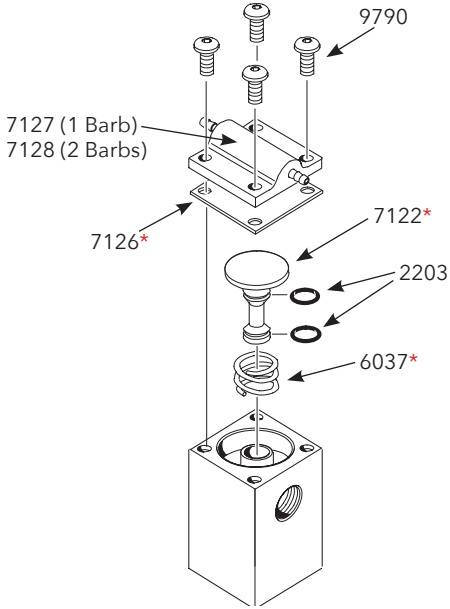
Norgren/Wilkerson Regulators Illustrated Parts Breakdown

- 2215** O-Ring (pkg of 12)
- 7226** Filter Element & O-Ring for Wilkerson
- 7227** Moisture Separator Bowl
- 7228** Diaphragm for Norgren
- 7229** Repair Kit for Norgren
- 7235** Repair Kit for Wilkerson
- 7253** Filter Disk (pkg of 2)

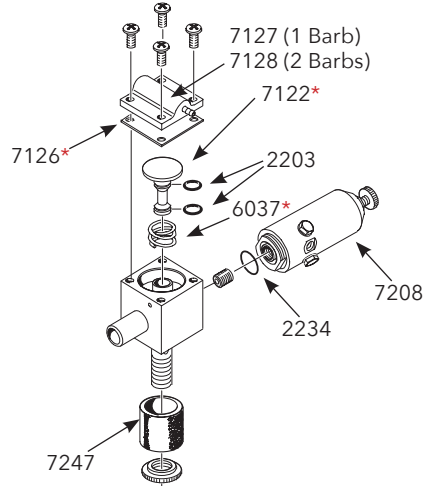
In-Line Filters



Master Shut-off Valve 7125



Integrated Master Shut-off Valve 7212



Valves & Regulators Illustrated Parts Breakdown

- 7311** Master Shut-off Valve Repair Kit
- 2203** O-Ring (pkg of 12)
- 2234** O-Ring (pkg of 12)
- 6037** Spring, Stainless Steel
- 7122** Stem, Master Shut-Off
- 7126** Diaphragm, Master Shut-Off
- 7127** Cap, 1 Barb, Master Shut-Off
- 7128** Cap, 2 Barb, Master Shut-Off
- 7208** Regulator Assembly
- 7247** Filter Element, 40 Micron
- 9790** Screw

* Asterisk designates parts included in DCI kit 7311





Retail pricing
available at
dciparts.com

Fittings



174-177

Quick Disconnects



178-182

Barb Fittings



183-186

NPT Pipe Fittings



187-189

Compression
Fittings



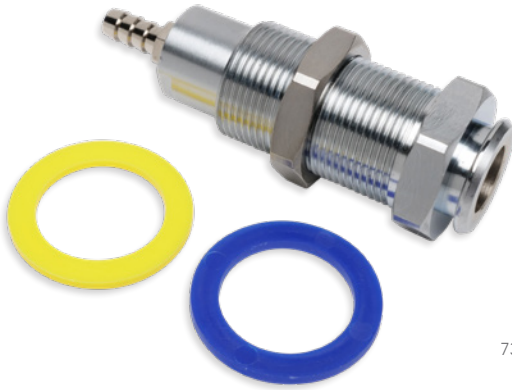
189-191

Poly Flow Fittings



192

Plastic Barb Fittings



7338

Q.D. Female Panel Mount x 10-32 w/ Shut-off

The Q.D. Female Panel Mount Coupler is a compact design, 10-32 panel mount for a 3/8" coupler with a quick disconnect for both water and air. The 3/8" Coupler has a barb-style connection w/ a shut-off feature.

FEATURED

Q.D. Female Panel Mount x 10-32 w/ Shut-off

PN **0006** 1/4" Coupler w/ shut-off

- Includes 1/16" & 1/8" barb

PN **7338** 3/8" Coupler w/ shut-off

- Includes 1/8" barb
- Includes 9786 and 9787 color indicator washers





Barb Style Connection

The input coupler features a barb style connection, eliminating an adapter. The 10/32 fitting allows easy mating to various size supply tubings.



3/8" Coupler

The 3/8" coupler comes with a 1/8" barb and water and air indicator washers.



Shut-Off

Quick-disconnect closes the valve when the fitting is disconnected to avoid dripping.



0014

Poly Male Insert Q.D. w/ Shut-off

- PN **0014** 1/4" Q.D. w/ shut-off
- PN **0012** 3/8" Q.D. w/ shut-off

- For use w/ water or air



0015

Poly Male Insert Q.D. w/o Shut-off

PN **0015** 1/4" Q.D. w/o shut-off
 PN **0013** 3/8" Q.D. w/o shut-off

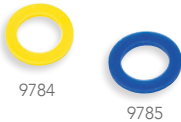


0011

Poly Q.D. Female Panel Mount w/ Shut-off

PN **0011** 1/4" Coupler w/ shut-off
 PN **0010** 3/8" Coupler w/ shut-off

- Includes both Yellow & Blue Indicators



9784

9785

Q.D. Air & Water Indicators

PN **9784** Yellow Air Indicator Washer for 1/4" Q.D. (pkg of 10)
 PN **9785** Blue Water Indicator Washer for 1/4" Q.D. (pkg of 10)
 PN **9786** Yellow Air Indicator Washer for 3/8" Q.D. (pkg of 10)
 PN **9787** Blue Water Indicator Washer for 3/8" Q.D. (pkg of 10)



0017

Q.D. Female x MPT w/ Shut-off

PN **0017** 1/4" Q.D. x 1/4" MPT
 PN **0018** 1/4" Q.D. x 1/8" MPT
 PN **0016** 3/8" Q.D. x 1/4" MPT



CPC Type Panel Mount Female Q.D. w/ Shut-off

PN **0004** 1/4" Coupler w/ shut-off

- Use w/ 0005
- Poly fitting



CPC Type Panel Mount Male Q.D. w/o Shut-off

PN **0005** 1/4" Q.D. Insert

- For use w/ air only
- Poly fitting
- Use w/ 0004



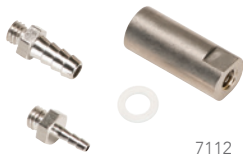
Air Hose Quick Connects Male

PN **2081** M Type Male Thread 1/4"



Air Hose Quick Connects Female

PN **2080** M Type Female Thread 1/4"



10-32 Compression Tube Adapter Kit

PN **7111** 1/4" Compression Tube

PN **7112** 3/8" Compression Tube

7112



9330

Q.D. Barb Reducers

PN **9330** 1/16" x 1/4" Compression

PN **9331** 1/16" x 3/8" Compression

PN **9333** 1/8" x 1/4" Compression

PN **9332** 1/8" x 3/8" Compression



9331

- For use on Q.D. when installing Dentsply CaviJet & Cavitron
- Single Piece Design



0008

Inline Miniature Q.D. w/ Shut-off Male & Female

PN **0007** 1/16" x 10/32"

PN **0008** 1/8" x 10/32"

- Valve stem for shut-off



1/16" Barb Fitting Plated

PN **0074** 10-32 x 1/16" Barb (pkg of 10)
 PN **0187** Barb Only (pkg of 100)

- For 1/8" O.D. tubing
- Includes sleeve & washer



1/8" Barb Fitting Plated

PN **0075** 10-32 x 1/8" Barb (pkg of 10)
 PN **0188** Barb Only (pkg of 100)

- For 1/4" O.D. tubing
- Includes sleeve & washer



10-32 Hex Plug Plated

PN **0073** 10-32 Plug (pkg of 10)
 PN **0189** Plug Only (pkg of 100)

- Includes washer



Barb x 1/8" MPT Adapters

PN **0067** 1/16" x 1/8" MPT
 PN **0068** 1/8" x 1/8" MPT
 PN **0991** 1/16" Barb x 1/8" MPT 90 Degree Elbow



Syringe Barbs

PN **0084** 8-32 x 1/16" Barb (pkg of 10)
 PN **0085** Washer 8-32, nylon (pkg of 10)

- Used on most manufacturers' syringes
- PN 0084 includes washer

FEATURED



5/16 Clamp Sleeve

PN **0200** (pkg of 10)



1/8" Clamp Sleeve

PN **0071** (pkg of 10)
PN **0198** (pkg of 100)

- For 1/8" O.D. tubing



1/4" Clamp Sleeve

PN **0070** (pkg of 10)
PN **0197** (pkg of 100)

- For 1/4" O.D. tubing



1/8" 2 piece "Uni-Clamp"

PN **0089** Uni-Clamp (pkg of 10)
PN **0199** Uni-Clamp (pkg of 100)

- For 1/8" O.D. tubing



Plastic Sealing Washer

PN **0072** (pkg of 100)

- For 10-32 fittings



1/8" Barb x 10-32 "T" Fitting

PN **0076** 1/8" Barb x 10-32 Port (pkg of 5)



Barb to Barb Plated

PN **0077** 1/16" In-Line Barb (pkg of 10)
PN **0078** 1/8" In-Line Barb (pkg of 10)
PN **0079** 1/16" x 1/8" In-Line Barb (pkg of 10)

Technician Fittings Kit

PN 8781 Technician Fittings Kit



Kit Includes:

PN 8885	12 Compartment Storage Box	1 ea.
PN 0072	10-32 Plastic Washers	100 ea.
PN 0077	1/16" Inline Metal Barb	10 ea.
PN 0078	1/8" Inline Metal Barb	10 ea.
PN 0198	1/8" Plastic Clamp Sleeve	100 ea.
PN 0197	1/4" Plastic Clamp Sleeve	25 ea.
PN 0064	10-32 Female Cross	10 ea.
PN 0189	10-32 Plug	50 ea.
PN 0187	10-32 1/16" Metal Barb	50 ea.
PN 0188	10-32 1/8" Metal Barb	50 ea.
PN 0951	1/16" Metal Tee	20 ea.
PN 0952	1/8" Metal Cross	20 ea.



A-dec® 5/16" Barb Fitting

PN 0171 10-32 x 5/16" Barb (pkg of 10)

- For 3/16" ID tubing

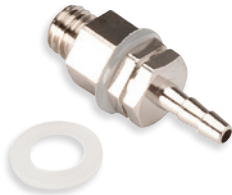


Stepped Barb Fitting

PN 0993 10-32 x 1/8" x 1/16" Stepped Barb (pkg of 10)

PN 0992 10-32 x 1/8" x 1/16" Stepped Barb

- Easily connect 1/8" or 1/4" tubing



Duck Bill Barb "Check Valve"

PN 0168 Duck Bill Barb

- Provides handpiece water line suck back control
- High flow rate is 80% of standard barb
- Barb has obvious appearance difference from standard
- Will fit any 10-32 port where standard barb is now used
- Can be used on handpiece or syringe water lines

A-dec® is a registered trademarks of A-dec, Inc. DCI has no affiliation with A-dec and A-dec has not authorized DCI replacement parts to be used on or in connection with A-dec® products.



Barbed Tubing Plugs

PN **0066** 1/16" Tubing Plug (pkg of 10)

PN **0105** 1/8" Tubing Plug (pkg of 10)

- 0066 is for 1/8" O.D. tubing
- 0105 is for 1/4" O.D. tubing



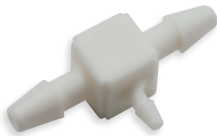
Barb Tee Plastic or Metal

PN **0082** 1/16" White Plastic (pkg of 10)

PN **0083** 1/8" White Plastic (pkg of 10)

PN **0951** 1/16" Metal (1 ea.)

- 0082 & 0951 fit 1/8" O.D. tubing
- 0083 fits 1/4" O.D. tubing



Barb "T" Plastic Reducing

PN **0069** Reducing Barb Tee (pkg of 10)

- Measures 1/8" x 1/16" x 1/8"



Cross Connector "Metal"

PN **0952** 1/16" Barb Cross

- Fits 1/8" O.D. tubing
- Nickel plated

FEATURED



Dual Mount Distribution Manifold

PN **52718** Distribution Manifold

- 9 female 10-32 Ports



Barb "Y" Plastic

- PN **0086** 1/16" (pkg of 10)
- PN **0087** 1/8" (pkg of 10)



Barb Elbow 10-32

- PN **0080** 1/16" (pkg of 10)
- PN **0081** 1/8" (pkg of 10)

- 10-32 Male



Inline Tubing Q.D. Swivel Fittings

- PN **0868** 1/16" Inline Tubing Q.D. Assy (pkg of 5)



- PN **0866** 1/8" Inline Tubing Q.D. Assy (pkg of 5)



- PN **0869** 1/16" x 1/8" Inline Tubing Q.D. (pkg of 5)



- PN **0181** 1/16" Male (pkg of 5)

- PN **0182** 1/8" Male (pkg of 5)

- PN **0183** Collar (pkg of 5)

- PN **0184** 1/16" Swivel, w/ O-Ring (pkg of 5)

- PN **0185** 1/8" Swivel, w/ O-Ring (pkg of 5)

- PN **2271** O-Ring (pkg of 12)



10-32 Swivel Elbow

- PN **0167** 10-32 Male Swivel x 10-32 Female
- PN **4282** Tee Swivel x 10-32 ASSY, 1/16" barb



10-32 Female Coupler

- PN **0063** 10-32 Female Coupler (pkg of 5)



10-32 Male Coupler "Hex Nipple"

PN 0062 10-32 Male Coupler (pkg of 5)



10-32 Male x 1/8" Female Adapter

PN 0942 10-32 x 1/8" FPT



10-32 Tee Fitting

PN 0065 10-32 Female Tee



10-32 Cross 4-Way

PN 0064 10-32 Female Cross



Bushing 10-32 x 1/8" MPT

PN 0091 10-32 x 1/8" MPT



Pipe Tee 10-32 x 1/8" MPT

PN 0899 10-32 x 1/8" MPT



Cross Connectors

PN 0090 10-32 x 1/8" MPT



Cross Connectors

PN 0867 10-32 Male, 10-32 Fem (3)



Poly Flow Connector x 10-32

PN **0054** 1/4" x 10-32



0152

Close Nipple MPT

PN **0835** 1/8" MPT Nipple
 PN **0152** 1/4" MPT Nipple
 PN **0153** 3/8" MPT Nipple
 PN **0154** 1/2" MPT Nipple



0892

Hex Nipple MPT

PN **0094** 1/8" MPT
 PN **0891** 1/4" MPT
 PN **0892** 3/8" MPT

FEATURED



Inline Needle Valve

PN **0870** 1/4" x 1/4"

- Poly to MPT
- 150 PSI working pressure
- Positive seal & flow adjustment

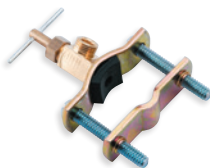


0873

Right Angle Needle Valves

PN **0872** 1/4"x 1/8"
 PN **0873** 1/4" x 1/4"

- Poly to MPT
- 150 PSI working pressure
- Positive seal & flow adjustment



Self Drilling Saddle Valve

PN **7115** 1/4" x 1/8"

- Used to tap into copper lines
- Self drills into 3/8" to 1 3/8" copper tubing
- Outlet is 1/4" O.D. compression tube fitting



Long Nipple MPT

- PN **0155** 1/8" MPT x 1 1/2"
- PN **0131** 1/4" MPT x 1 1/2"
- PN **0157** 3/8" MPT x 1 1/2"
- PN **0158** 1/2" MPT x 2"



Reducing Nipple MPT

- PN **0836** 1/4" MPT x 1/8" MPT
- PN **0897** 3/8" MPT x 1/4" MPT



Female Couplers & Reducing Couplers

- PN **0092** Coupler 1/8" x 1/8"
- PN **0143** Coupler 1/4" x 1/4"
- PN **0144** Coupler 3/8" x 3/8"
- PN **0145** Coupler 1/2" x 1/2"
- PN **0133** Reducer 1/4" x 1/8"
- PN **0811** Reducer 3/8" x 1/4"
- PN **0812** Reducer 1/2" x 1/4"
- PN **0900** Reducer 1/2" x 3/8"



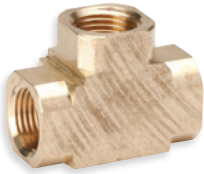
Elbow 90 Degree Female

- PN **0838** 1/8" FPT Elbow
- PN **0149** 1/4" FPT Elbow
- PN **0150** 3/8" FPT Elbow
- PN **0151** 1/2" FPT Elbow



Street Elbow Male x Female

- PN **0839** 1/8" Elbow
- PN **0840** 1/4" Elbow
- PN **0841** 3/8" Elbow
- PN **0842** 1/2" Elbow



0147

Pipe Tee Female

PN 0837	1/8" FPT Tee
PN 0146	1/4" FPT Tee
PN 0147	3/8" FPT Tee
PN 0148	1/2" FPT Tee



Female Cross

PN 0096	1/8" FPT
----------------	----------



0141

Bushing MPT x FPT

PN 0093	1/4" x 1/8" Bushing
PN 0140	3/8" x 1/8" Bushing
PN 0141	3/8" x 1/4" Bushing
PN 0142	1/2" x 1/8" Bushing
PN 0834	1/2" x 1/4" Bushing
PN 0125	1/2" x 3/8" Bushing
PN 0918	3/4" x 3/8" Bushing
PN 0917	3/4" x 1/4" Bushing
PN 0907	3/4" x 1/2" Bushing



0160

Pipe Plug Hex Head

PN 0097	1/8" MPT Plug
PN 0159	1/4" MPT Plug
PN 0160	3/8" MPT Plug



Pipe Plug Socket Head

PN 0099	1/8" MPT Plug
PN 0098	1/4" MPT Plug
PN 0112	3/8" MPT Plug
PN 0113	1/2" MPT Plug



0832

Compression Tube x MPT Straight

- PN **0127** 1/4" Tube x 1/8" MPT
- PN **0843** 3/8" Tube x 1/8" MPT
- PN **0844** 1/4" Tube x 1/4" MPT
- PN **0832** 3/8" Tube x 1/4" MPT
- PN **0914** 3/8" Tube x 3/8" MPT
- PN **0826** 3/8" Tube x 1/2" MPT



0845

Compression Tube x MPT Elbow

- PN **0845** 1/4" Tube x 1/8" MPT
- PN **0846** 1/4" Tube x 1/4" MPT
- PN **0847** 3/8" Tube x 1/8" MPT
- PN **0824** 3/8" Tube x 1/4" MPT



0809

Union Compression Tube x Compression Tube

- PN **0806** 1/8" Union
- PN **0807** 1/4" Union
- PN **0808** 5/16" Union
- PN **0809** 3/8" Union



0137

Compression Tube "Tee"

- PN **0135** 1/4" Union Tee
- PN **0136** 5/16" Union Tee
- PN **0137** 3/8" Union Tee
- PN **0138** 1/2" Union Tee
- PN **0139** 5/8" Union Tee



0823

Compression Nuts

- PN **0880** 1/8" Compression Nut (pkg of 10)
- PN **0881** 1/4" Compression Nut (pkg of 10)
- PN **0882** 5/16" Compression Nut (pkg of 10)
- PN **0823** 3/8" Compression Nut (pkg of 10)



0922

Compression "Female" Sleeves

- PN **0801** 1/8" Brass Sleeve (pkg of 10)
- PN **0920** 1/4" Brass Sleeve (pkg of 10)
- PN **0921** 5/16" Brass Sleeve (pkg of 10)
- PN **0922** 3/8" Brass Sleeve (pkg of 10)
- PN **0923** 1/2" Brass Sleeve (pkg of 10)



0102

MPT Adapters x Compression Tube

- PN **0100** 1/8" MPT x 3/8"
- PN **0102** 1/4" MPT x 3/8"
- PN **0904** 1/2" MPT x 3/8"

FEATURED



0815

Flare x MPT Straight Connectors

- PN **0813** 1/4" x 1/4"
- PN **0815** 3/8" x 1/4"
- PN **0884** 1/4" x 1/8"
- PN **0886** 1/4" Flare x 1/8" MPT Elbow Connector

0890



Flare Nuts

- PN **0889** 1/4" Flare Nut
- PN **0890** 3/8" Flare Nut



TECH TIP

**TRYING TO SOLVE
A TOUGH TECHNICAL
PROBLEM?**

Visit the DCI Service Forum at www.dcionline.com or the DCI Video Library where you can collaborate with fellow technicians and find the answers to the most challenging dental repairs!



Push to Connect Fittings

- PN **9341** Swivel Elbow 1/8" NPT x 1/4" Quick Connect.
 PN **9342** Straight Fitting 1/8" NPT x 1/4" Quick Connect
 PN **9343** Swivel Elbow 1/4" NPT x 1/4" Quick Connect



Poly x Compression Tubing

- PN **0044** 1/4" Poly x 3/8" Compression
 PN **0864** 3/8" Poly x 3/8" Compression



Poly x MPT Male Fittings

- PN **0053** 1/4" x 1/8"
 PN **0052** 1/4" x 1/4"
 PN **0048** 5/16" x 1/8"
 PN **0049** 5/16" x 1/4"
 PN **0051** 3/8" x 1/8"
 PN **0050** 3/8" x 1/4"
 PN **0119** 3/8" x 3/8"
 PN **9339** 1/4" x 3/8"



Poly x 10-32 Male Fitting

- PN **0054** 1/4" x 10-32



Poly x MPT Elbow Fittings

- PN **0042** 1/8" x 1/8"
 PN **0061** 1/4" x 1/8"
 PN **0060** 1/4" x 1/4"
 PN **0936** 1/4" x 3/8"
 PN **0047** 5/16" x 1/8"
 PN **0059** 3/8" x 1/8"
 PN **0058** 3/8" x 1/4"



Poly x Long MPT Elbow Fitting

- PN **9338** Long Male Elbow 1/4" Poly x 1/4" MPT
- For water supply to vacuum pump impeller housing
 - When using on vacuum pump, replace poly nut w/ metal sleeve



0041

Poly Run Tee x MPT

PN **0041** 1/4" x 1/8"
 PN **0040** 1/4" x 1/4"



0057

Poly x FPT Straight Connectors

PN **0057** 1/4" x 1/8"
 PN **0056** 1/4" x 1/4"
 PN **0114** 5/16" x 1/8"
 PN **0055** 3/8" x 1/4"



0032

Poly Union

PN **0032** 1/4" x 1/4"
 PN **0033** 5/16" x 5/16"
 PN **0031** 3/8" x 3/8"



Poly Reducing Unions

PN **0030** 3/8" x 1/4"



0045

Poly x Compression Tube Unions

PN **0045** 1/4" x 1/4"
 PN **0034** 3/8" x 3/8"



0036

Poly Tees

PN **0036** 1/4"
 PN **0038** 5/16"
 PN **0035** 3/8"
 PN **0037** 1/4" x 3/8" x 3/8"



0021

Poly Nut & Sleeve

PN **0021** 1/4" Poly Nut & Sleeve (pkg of 5)
 PN **0019** 5/16" Poly Nut & Sleeve (pkg of 5)
 PN **0020** 3/8" Poly Nut & Sleeve (pkg of 5)



Poly Sleeve "Ferrule"

- PN **0023** 1/4" Poly Sleeve (pkg of 10)
- PN **0027** 5/16" Poly Sleeve (pkg of 10)
- PN **0022** 3/8" Poly Sleeve (pkg of 10)



Poly Plugs

- PN **0025** 1/4" Poly Plug (pkg of 5)
- PN **0024** 3/8" Poly Plug (pkg of 5)
- Comes w/ barbs & washers



Garden Hose Adapters

- PN **0851** 3/4" Garden Hose Male x 3/8" Male Pipe
- PN **0852** 3/4" Garden Hose Male x 1/2" Male Pipe
- PN **0853** 3/4" Garden Hose Female x 1/4" Male Pipe
- PN **0854** 3/4" Garden Hose Female x 3/8" Male Pipe
- PN **0855** 3/4" Garden Hose Female x 1/4" Male Barb Fitting
- PN **0856** 3/4" Garden Hose Female x 3/8" Male Barb Fitting
- PN **0858** 3/4" Garden Hose Female x 3/4" Male Barb Fitting
- PN **0850** Hose Washer (pkg of 10)



Plastic Vacuum Adapters

TUBING SIZES

- PN **0943** 1/2" x 1/2"
- PN **0944** 1/2" x 5/8"
- PN **0945** 1/2" x 7/8"
- PN **0947** 5/8" x 5/8"
- PN **0946** 5/8" x 7/8"
- PN **0948** 3/4" x 3/4"



Plastic Barbed "Y" Fitting

PN **0994** 1/2" x 1/2" x 1/2" Barbed Y



Plastic Straight Male Adapters

PN **0959** 1/2" MPT x 1/2" Barb

PN **0979** 3/4" MPT x 1/2" Barb

PN **0960** 1/2" MPT x 5/8" Barb

PN **0961** 3/4" MPT x 5/8" Barb

PN **0978** 1/2" MPT x 3/4" Barb

PN **0980** 3/4" MPT x 3/4" Barb

PN **0981** 3/4" MPT x 1" Barb

PN **0982** 1" MPT x 1" Barb



Plastic Elbow Male Adapters

PN **0966** 1/2" MPT x 1/2" Barb

PN **0973** 3/4" MPT x 1/2" Barb

PN **0971** 1/2" MPT x 5/8" Barb

PN **0974** 3/4" MPT x 5/8" Barb

PN **0972** 1/2" MPT x 3/4" Barb

PN **0975** 3/4" MPT x 3/4" Barb

PN **0976** 3/4" MPT x 1" Barb

PN **0977** 1" MPT x 1" Barb



Plastic Elbow Female Adapters

PN **0967** 1/2" FPT x 1/2" Barb

PN **0968** 1/2" FPT x 5/8" Barb



Plastic Barbed "T" Fittings

PN **0964** 1/2" x 1/2" x 1/2" Barbed Tee

PN **0965** 5/8" x 5/8" x 5/8" Barbed Tee

PN **0970** 5/8" x 5/8" x 1/2" Barbed Tee



Plastic Barb x Barb Elbow

PN **0962** 1/2" x 1/2" Barbed Elbow

PN **0983** 5/8" x 5/8" Elbow



Retail pricing
available at
dciparts.com

Tubing



194-195

Handpiece Tubing



196

Syringe, Prophy &
Cavitron Tubing



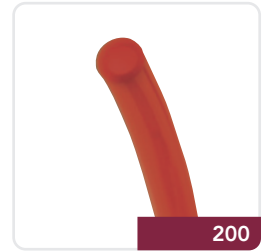
197-198

Foot Control/Saliva
Ejector Tubing



198-199

Vacuum Tubing, Floor
Flanges & Cuffs



200

Supply Tubing



PAGES 70-75
Fiber Optic &
Power Optic Tubing



Asepsis Smooth Wall Handpiece Tubing

Asepsis 4-Hole HP Tubing

Easily match your existing tubing color and size with one of our available options.

FEATURED

Asepsis 4-Hole Handpiece Tubing



DARK SURF	GRAY	LT SAND	STERLING	BLACK	
435T	432T	433T	436T	431T	7 ft. w/ Connector
	445T				12 ft. w/ Connector
	446T				11 ft. w/ Connector
	441T				10 ft. w/ Connector
435	432	433	436	431	Per foot
435R	432R	433R	436R	431R	100 ft. Roll
435B	432B	433B	436B	431B	100 ft. Box
435CT	432CT	433CT	436CT	431CT	Coiled w/ Connector

Sterling

The following dental manufacturers offer Sterling tubing: Pelton & Crane®, DentalEZ®, Marus® Dental, DCI Equipment, Beaverstate, Forest, DCI Edge, DCI Reliance

Gray

The following dental manufacturers offer Gray tubing: DCI, Belmont®, Sirona, Dentech®

Black

The following dental manufacturers offer Black tubing: Forest & Boyd

Dark Surf / Shadow

The following dental manufacturers offer Dark Surf tubing: A-dec®, Midmark®

Light Sand

The following dental manufacturers offer Lt. Sand tubing: Royal / Proma, Engle, Boyd Dental



322

Asepsis 3-Hole Handpiece Tubing

GRAY

- 322T** 7 ft. w/ Connector
- 322** Per foot
- 322R** 100 ft. Roll
- 322B** 100 ft. Box
- 322CT** Coiled w/ Connector



402

Standard 4-Hole Handpiece Tubing

GRAY

- 402T** 7 ft. w/ Connector
- 402** Per foot
- 402R** 100 ft. Roll
- 402B** 100 ft. Box
- 402CT** Coiled w/ Connector

A-dec® is a registered trademark of A-dec, Inc. These parts are manufactured by DCI to fit A-dec® equipment. DCI has no affiliation with A-dec and A-dec has not authorized DCI replacement parts to be used on or in connection with A-dec® products.

FEATURED



645

Sheathed 3-Hole Syringe Tubing

<u>DARK SURF</u>	<u>GRAY</u>
------------------	-------------

645

646

Straight (per ft.) (A-dec® #024.155.02 Dark Surf) & (A-dec® #024.223.02 Gray)
100 ft. Roll

645R

646R



233

Asepsis 2-Hole Syringe Tubing

<u>DARK SURF</u>	<u>GRAY</u>	<u>LT SAND</u>	<u>STERLING</u>	<u>BLACK</u>
------------------	-------------	----------------	-----------------	--------------

235

232

233

236

231

Straight (per ft.)

235R

232R

233R

236R

231R

100 ft. Roll

235B

232B

233B

236B

231B

100 ft. Box

235C

232C

233C

236C

231C

Coiled



222

Standard 2-Hole Syringe Tubing

GRAY

222

Straight (per ft.)



332

Standard 3-Hole Syringe Tubing

GRAY

332

Per foot



640

Ultrasonic Scaler Tubing 7 ft. Length

PN **640**

Straight



631

Prophy Tubing 7 ft. Length

<u>GRAY</u>	<u>BLACK</u>
-------------	--------------

631

630

For DENTSPLY® / Cavitron Prophy-Jet Model C-100 & C-200

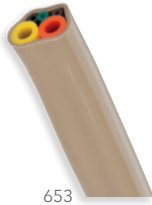
636

635

For DENTSPLY® / Cavitron Prophy-Jet Model C-300 & Cavi-Jet Model G105

A-dec® is a registered trademark of A-dec, Inc. These parts are manufactured by DCI to fit A-dec® equipment. DCI has no affiliation with A-dec and A-dec has not authorized DCI replacement parts to be used on or in connection with A-dec® products.





653

Sheathed Asepsis 5-Hole Foot Control Tubing

PN **653** Sheathed Asepsis 5-Hole Foot Control Tubing, Dark Surf
(A-dec® #024.202.01) (Midmark® #053-1709-00)

PN **654** Sheathed Asepsis 5-Hole Foot Control Tubing, Gray
(A-dec® #024.214.01) (Midmark® #053-1709-00)

- Polyurethane
- 2 ea. - 5/16" tubings
- 3 ea. - 1/8" tubings
- A-dec 300° or 500° only



426

Asepsis 4-Hole Foot Control Tubing

Polyurethane

<u>DARK SURF</u>	<u>GRAY</u>	
428	426	Per foot
428R	426R	100 ft. Roll
428B	426B	100 ft. Box



252

Asepsis 2-Hole Foot Control Tubing

Vinyl / Gray

252	Per foot
252R	100 ft. Roll
252B	100 ft. Box

Polyurethane / Gray

253	Per foot
253R	100 ft. Roll
253B	100 ft. Box



511

Standard 5-Hole Foot Control Tubing

Polyurethane

<u>DARK SURF</u>	<u>GRAY</u>	<u>LT SAND</u>	<u>STERLING</u>	
511	512	510	513	Per foot
511R	512R	510R	513R	100 ft. Roll
511B	512B	510B	513B	100 ft. Box



425

Standard 4-Hole Foot Control Tubing

Polyurethane

<u>DARK SURF</u>	<u>GRAY</u>	<u>LT SAND</u>	<u>STERLING</u>	
427	423	425	421	Per foot
427R	423R	425R	421R	100 ft. Roll
427B	423B	425B	421B	100 ft. Box

Vinyl / Gray

422	Per foot
422R	100 ft. Roll
422B	100 ft. Box

A-dec®, A-dec 300® and A-dec 500® are registered trademarks of A-dec, Inc. These parts are manufactured by DCI to fit A-dec® equipment. DCI has no affiliation with A-dec and A-dec has not authorized DCI replacement parts to be used on or in connection with A-dec® products.



343

Standard 3-Hole Foot Control Tubing

Polyurethane

<u>DARK SURF</u>	<u>GRAY</u>	<u>LT SAND</u>	<u>STERLING</u>
350	343	348	349
350R	343R	348R	349R
350B	343B	348B	349B

Straight (per ft.)
100 ft. Roll
100 ft. Box



243

Standard 2-Hole Foot Control Tubing

Polyurethane

<u>DARK SURF</u>	<u>GRAY</u>	<u>LT SAND</u>	<u>STERLING</u>
256	243	255	246
256R	243R	255R	246R
256B	243B	255B	246B

Straight (per ft.)
100 ft. Roll
100 ft. Box

Vinyl / Gray

242	Straight (per ft.)
242R	100 ft. Roll
242B	100 ft. Box



S601

3/16" I.D. Vinyl Saliva Ejector Tubing

<u>DARK SURF</u>	<u>GRAY</u>	<u>LT SAND</u>	<u>STERLING</u>	<u>BLACK</u>
S615	S601	S603	S605	S604
S615R	S601R	S603R	S605R	S604R
S615B	S601B	S603B	S605B	S604B

Per foot
100 ft. Roll
100 ft. Box



S611

7/32" I.D. Vinyl Saliva Ejector Tubing

<u>GRAY</u>	<u>STERLING</u>
S611	S610
S611R	S610R
S611B	S610B

Per foot
100 ft. Roll
100 ft. Box



737

Asepsis Smooth Wall HVE Tubing

PN 737	1/2" I.D. Dark Surf (per ft.)
PN 733	1/2" I.D. Gray (per ft.)
PN 734	1/2" I.D. Light Sand (per ft.)
PN 742	1/2" I.D. Sterling (per ft.)
PN 744	1/2" I.D. Black (per ft.)



732

Asepsis HVE Tubing

PN 731	1/2" I.D. Gray (per ft.)
PN 732	5/8" I.D. Gray (per ft.)
PN 743	1/2" I.D. Light Sand (per ft.)
PN 739	5/8" I.D. Sterling (per ft.)





722

Asepsis "Sheathed" Corrugated Tubing

- PN 721 1/2" I.D. Gray (per ft.)
- PN 722 1" I.D. Gray (per ft.)
- 50 feet max per section



SV05

Specialty Vacuum Tubing

- PN SV05 1/2" I.D. Drain Tubing, Gray (per ft.)
- PN SV05R 1/2" I.D. Drain Tubing, Gray (100 ft. Roll)
- PN 752 3/8" I.D., Clear PVC Convuluted



704

Standard Corrugated Tubing

GRAY	STERLING	
701	713	1/2" I.D. Tubing
703	714	5/8" I.D. Tubing
704	715	3/4" I.D. Tubing
705	716	1" I.D. Tubing
706	717	1 1/4" I.D. Tubing
707	718	1 1/2" I.D. Tubing
708	719	1 3/4" I.D. Tubing
709	720	2" I.D. Tubing



9350

Stainless Steel Hose Clamps

- PN 9350 Stainless Steel Hose Clamps 3/8" - 7/8" (pkg of 10)
- PN 9351 Stainless Steel Hose Clamps 1/2" - 1 1/4" (pkg of 10)
- PN 9352 Stainless Steel Hose Clamps 3/4" - 1 3/4" (pkg of 10)
- PN 9353 Stainless Steel Hose Clamps 1 1/4" - 2 1/4" (pkg of 10)



8664

Floor Flange

- PN 8660 9/16" I.D. For Foot Control Tubing, 2" O.D.
- PN 8663 1 3/8" I.D. For 1" Vac Tubing, 3" O.D.
- PN 8664 1 5/8" I.D. For 1 1/4" Vac Tubing, 3" O.D.



Tubing Cuffs

- PN 8611 For 5/8" I.D. Tubing
- PN 8612 For 3/4" I.D. Tubing
- PN 8613 For 1" I.D. Tubing
- PN 8614 For 1 1/4" I.D. Tubing
- PN 8615 For 1 1/2" I.D. Tubing
- PN 8616 For 2" I.D. Tubing



1202

1/8" O.D. Polyurethane Supply Tubing (1/16" I.D.)

BLACK	BLUE	CLEAR	GREEN	
1201	1202	1203	1204	Per foot
1201R	1202R	1203R	1204R	100 ft. Roll
1201B	1202B	1203B	1204B	100 ft. Box
GRAY	ORANGE	RED	YELLOW	
1205	1206	1207	1208	Per foot
1205R	1206R	1207R	1208R	100 ft. Roll
1205B	1206B	1207B	1208B	100 ft. Box



1405

1/4" O.D. Polyurethane Supply Tubing (1/8" I.D.)

BLACK	BLUE	CLEAR	GREEN	GRAY	ORANGE	
1401	1402	1403	1404	1405	1406	Per foot
1401R	1402R	1403R	1404R	1405R	1406R	100 ft. Roll
1401B	1402B	1403B	1404B	1405B	1406B	100 ft. Box
RED	YELLOW	WHITE	LT. SAND	DARK SURF	STERLING GRAY	
1407	1408	1409	1417	1418	1419	Per foot
1407R	1408R	1409R	1417R	1418R	1419R	100 ft. Roll
1407B	1408B	1409B	1417B	1418B	1419B	100 ft. Box



1706

5/16" O.D. Polyurethane Supply Tubing (3/16" I.D.)

BLACK	BLUE	CLEAR	ORANGE	YELLOW	
1701	1702	1703	1706	1708	Per foot
1701R	1702R	1703R	1706R	1708R	100 ft. Roll
1701B	1702B	1703B	1706B	1708B	100 ft. Box

• 5/16" OD tubing is used by A-dec®



1608

3/8" O.D. Polyurethane Supply Tubing (1/4" I.D.)

BLUE	CLEAR	GRAY	YELLOW	
1602	1603	1605	1608	Per foot
1602R	1603R	1605B	1608R	100 ft. Roll
1602B	1603B	1605R	1608B	100 ft. Box

A-dec® is a registered trademark of A-dec, Inc. These parts are manufactured by DCI to fit A-dec® equipment. DCI has no affiliation with A-dec and A-dec has not authorized DCI replacement parts to be used on or in connection with A-dec® products.

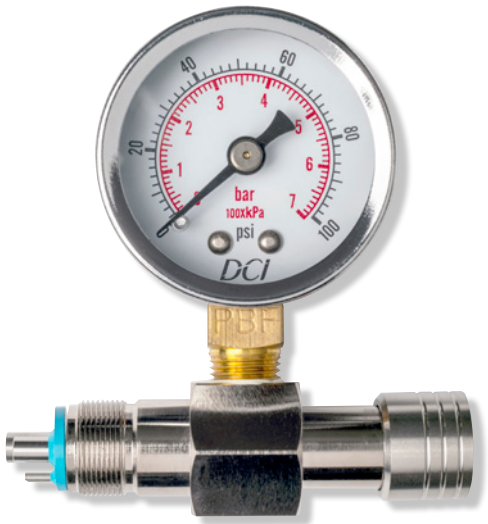


Easy Online Ordering



Retail pricing
available at
dciparts.com

Service, Cabinet & Analgesia



202-208

Tools



209

X-Ray Exposure
Switches



210-213

Electrical Accessories



214-216

Repair Kits



217-219

O-Rings



220-221

Analgesia
Components



222

Tapmaster®
Cabinet Parts



223-226

Cabinet Components

Service, Cabinet
& Analgesia



DCI Hemostat

PN 9325 Hemostat



DCI Hex Wrench Sets

PN 9705 Hex Wrench Set, Standard

PN 9706 Hex Wrench Set, Metric

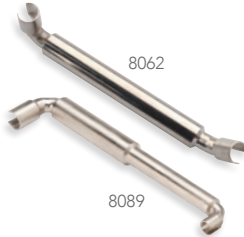
- Long arm series
- Heat treated alloy steel, black finish
- Available in standard & metric sizes
- Ball driver end



Panel Wrench

PN 9288 Panel Wrench

- Great for installing toggles & other 9/16" nuts



Metal Sleeve Tool

PN 8061 Sleeve Tool Metal 1/8"

PN 8062 Sleeve Tool Metal 1/4"

PN 8089 Combo Sleeve Tool 1/8" & 1/4"

- Plated metal construction
- Ends angled 45° and 90°



Plastic Sleeve Tool

PN 8060 Sleeve Tool Plastic

- For 1/4" and 1/8" sleeves
- For 1/8" I.D. uni-clamp
- Durable plastic



O-Ring Tools

PN 9316 O-Ring Tool Kit (A-dec® #009.013.00)

- Aids in installing O-Rings onto stems
- 3 sizes: .199, .166, .100

A-dec® is a registered trademark of A-dec, Inc. These parts are manufactured by DCI to fit A-dec® equipment. DCI has no affiliation with A-dec and A-dec has not authorized DCI replacement parts to be used on or in connection with A-dec® products.



Ball Driver 3/32

PN 9700 3/32" Ball Driver

- Use for adjusting syringe flow
- Plastic handle & handpiece pressure



Pelton & Crane® Socket Retractor

PN 9289 Pelton & Crane® Socket Retractor



Check out the DCI Video Library for how to use the P&C socket retractor!



Gas Spring Adjusting Tool

PN 8697 Gas Spring Adjusting Tool (Pelton & Crane® #016749)

- For use w/ Pelton & Crane® LFII
- 5/16" Hex



4 Hole Tubing Splice Connector

PN 0954 Tubing Connector



Tubing Cutter

PN 8620 Tubing Cutter

PN 8622 Replacement Blade



Copeland Compressor Sight Glass Tool

PN 2633 Sight Glass Tool (MDT #301789)



Tubing Stripper

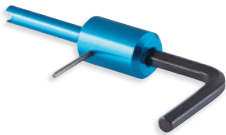
PN 8621 Tubing Stripper



Post Leveling Tools

PN 8668 Magnetic Leveling Tool

- Use for quick & easy leveling of light and unit posts
- 8668 attaches to post magnetically
- Vertical & horizontal



DCI 3-in-1 Syringe Tool

PN 9287 DCI 3-in-1 Syringe Tool

- Includes Valve Core Tool, Quick-Change® Adapter Tool & Button Pin Removal Tool



A-dec® Syringe Tools

PN 9286 A-dec® Syringe Tool (A-dec® #98.0010.00)

- Valve core, tip tool & button retaining screw tool



Forest Syringe Button Multi Tool

PN 3033 Forest Syringe Button Multi Tool

- Wrench end for barbs
- Hex for tip adapter nut
- Wrench for Forest style buttons



Syringe Button Removal Tool

PN 8059 Syringe Button Removal Tool



Syringe Nut Wrench

PN 3097 Syringe Nut Wrench



Valve Core Tool

PN 3096 Valve Core Tool

A-dec® is a registered trademark of A-dec, Inc. These parts are manufactured by DCI to fit A-dec® equipment. DCI has no affiliation with A-dec and A-dec has not authorized DCI replacement parts to be used on or in connection with A-dec® products.



Burr Wrench Universal

PN **8625** Universal, Square Drive



Burr Wrenches Midwest

PN **8627** For Midwest Quiet Air
 PN **8628** For Midwest 8000/Trad



Handpiece Repair Tool

PN **4706** Handpiece Waterline Tool

- Quickly & easily clear plugged water line in handpiece

FEATURED



Air Service Tool

PN **8063** Service Tool
 PN **0992** Replacement Barb

- Provides air for cleaning tubing or testing components
- 4-hole Midwest connector



Handpiece Pressure Test Gauge

PN **7267** Handpiece Pressure Gauge
 PN **7281** Replacement Gauge, 1 1/2"

- Measures drive air pressure w/ handpiece running
- 0-100 PSI gauge
- Fits both 6 pin & 5 hole handpieces

FEATURED



Economy Test Gauge

PN **7262** Test Gauge
 PN **0992** Replacement Barb

- Replaceable barb for use w/ 1/8" or 1/16" I.D. tubing
- 0-160 PSI gauge



Blow Gun

PN **8651** Blow Gun w/ 10 ft. Coil
 PN **8650** Blow Gun Only
 PN **8655** 10 ft. Coil Tubing Only
 PN **8649** Blow Gun Tip Kit

- 125 PSI working pressure
- Lever operated
- 1/4" FPT connection
- Available w/ 10' coiled tubing (yellow) w/ 1/4" MPT fittings



Umbilical Tubing Stringer

PN **8094** Tubing Stringer

- Use to pull 1/8" & 1/4" tubing through existing umbilical
- 12' long
- Flexible



Loctite

PN **8021** Threadlock 242 / 0.34 oz, Blue Liquid Loctite
 PN **8024** Superbond 409 / 0.10 oz



All Purpose Lube

PN **8032** All Purpose Lube

- Moisture resistant
- Teflon base lubricant
- Net wt. 1 1/2 oz.
- Not recommended for O-Rings



Silicone O-Ring Lube

PN **8031** Parker Super O-Ring Lube, Net wt. 2 oz.
 PN **8034** Silicone Lubricant, Net wt .04 oz (pkg of 5)

- Moisture resistant
- Silicon base lubricant
- For synthetic & rubber O-Rings



Valve Cleaning Brushes

- PN 5620 HVE Brush (3 3/4" bristles) (pkg of 5)
- PN 5621 SE Brush (3" bristles) (pkg of 5)
- PN 5622 Small Brush (pkg of 5)

GROUND SHIPMENT ONLY



Silicone Lubricant Spray

PN 6814 Silicon Lubricant Spray

- For general lubricating purposes
- Leaves no oily residues



GROUND SHIPMENT ONLY

White Lithium Grease Spray

PN 6817 White Lithium Grease Spray

- Heavy duty lubricant
- Best for pivot points, bushings & bearings



Teflon Tape

- PN 9951 Teflon Tape, 1/2", 520 ft. roll
- PN 9950 Teflon Tape, 1/4", 520 ft. roll



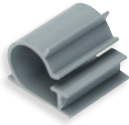
Wall Anchors

- PN 6815 Nylon Wall Anchors w/ Screw (pkg of 25)
- PN 6816 Metal Wall Anchors w/ Screw (pkg of 25)



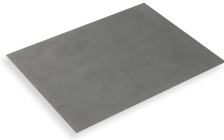
Insert Nut 1/4-20x13

- PN 9340 Insert Nut 1/4-20x13 (pkg of 12)
- For under counter mounting



Adhesive Clamp, 3/4"

PN 9043 Adhesive Clamp, 3/4", Gray (pkg of 5)



Diaphragm Sheet Stock

PN 9001 11" x 8 1/2"

• 11" x 8 1/2" Sheet

• .013" Thick



Adjustable Tie "Mount"

PN 8045 Cable Tie-Mount (pkg of 10)



Adjustable Tie Clamp

PN 8054 4" Cable Tie (pkg of 10)

PN 8055 5" Cable Tie (pkg of 10)

PN 8058 8" Cable Tie (pkg of 10)



Heyco Snap-In Bushings

PN 9234 Heyco Snap-In Bushing, 1/2", Black (pkg of 5)

PN 9235 Heyco Snap-In Bushing, 3/4", Black (pkg of 5)

PN 9236 Heyco Snap-In Bushing, 1 1/2", Black (pkg of 5)



Cable Clamp

PN 8074 1/4" Cable Clamp (pkg of 10)

PN 8078 1/2" Cable Clamp (pkg of 10)

PN 8082 3/4" Cable Clamp (pkg of 10)

PN 8090 1 1/4" Cable Clamp (pkg of 10)



Low Profile X-ray Switch w/ Stainless Plate

PN 7134 Low Profile X-ray Switch w/ Stainless Plate

- Recessed button prevents accidental exposure



7116

Economy X-Ray Exposure Switch Kits

PN 7116 X-Ray Exposure Switch Kit, Stainless Steel

PN 7322 X-Ray Exposure Switch Kit, White

PN 7324 X-Ray Exposure Switch Kit, Almond

- Includes exposure switch & mounting plate
- Push button normally open switch
- Fits standard single gang electrical box
- Includes mounting hardware



Universal X-Ray Exposure Switch

PN 7109 X-Ray Exposure Switch

- Push button normally open
- Screw terminals
- Single pole / single throw
- 3/4 amp 125V AC/DC



7326

Deluxe X-Ray Exposure Switch Kits

PN 7325 Deluxe X-Ray Exposure Switch Kit, Stainless Steel

PN 7326 Deluxe X-Ray Exposure Switch Kit, White

PN 7328 Deluxe X-Ray Exposure Switch Kit, Almond

- Audible actuation
- 2 wire connection
- Fits standard single gang electrical box
- Includes mounting hardware
- Replaces Gendex 46-197334G6



Deluxe X-Ray Exposure Switch

PN 7329 Deluxe X-Ray Exposure Switch

- Normally Open
- Gendex P/N 46-197311P1
- Fits Gendex 770, 900, 1000, 765DC Pan small control

FEATURED



X-Ray Exposure Switch Mounting Plate

PN **8115** Cover Plate, Stainless Steel

PN **7330** Cover Plate, White

PN **7332** Cover Plate, Almond

- Used w/ x-ray exposure switch 7109
- 1/2" diameter hole
- Laser etched



Universal Toggle Switch

PN **8699** Power Switch, 125 VAC 10 Amp (Ritter/Knight #WO-34566)

- For use w/ Castle & Ritter lights
- 10 amp, 125 VAC



Fuse Holder

PN **2862** Fuse Holder



Lever Nut Connector

PN **9356** Wago Lever Nut Connector, (Pkg of 10)



Sub Miniature Toggle Switch

PN **7082** Toggle Switch

- Rated for 5 amp at 125 VAC
- Single pole, double throw



Low Voltage Electrical Cable

PN **8110** 8-Conductor Wire (per ft.)

- 8 Conductor
- 22 Gauge wires



9280

Hospital Grade Cords & Plugs

PN **9280** Hospital Grade Right Angle Cord #18 Gauge, IEC Style, 10' long



9281

PN **9281** Hospital Grade Straight Cord #18 Gauge, Bare Wires, 8' long



9282

PN **9282** Hospital Grade Straight Cord #16 Gauge, IEC Style, 10' long



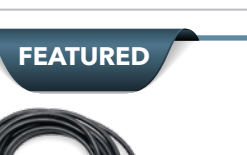
8111

PN **8111** Hospital Grade Plug Straight "Male"



8113

PN **8113** Hospital Grade Plug Straight "Female"



8112

PN **8112** Hospital Grade Plug Right Angle "Male"

FEATURED

Standard Power Cords



9270

PN **9270** Straight Cord #16 Gauge, 15'



9283

PN **9283** Right Angle Cord #16 Gauge, 7.5'



9284

PN **9284** Straight Cord #16 Gauge, 7.5'



9285

PN **9285** Straight Cord #16 Gauge, 6.5', Bare Wires



15 ft. Black Extension Cord

PN **9279** Electrical Extension Cord



8 ft. Black Extension Cord

PN **8472** Electrical Extension Cord

- Used for light post extension kits



Air / Electric Switches

Air / Electric Switches are available in 10 PSI and 25 PSI, open or closed and designed to give you control over the On/Off, and are OEM compatible.

FEATURED

Air / Electric Switches

PN **7080** 25 PSI Normally Open

PN **7087** 25 PSI Normally Closed

PN **7084** 10 PSI Normally Open

PN **7089** 10 PSI Normally Closed

- 7080 & 7087 activated at 25 PSI
- 7084 & 7089 activated at 10 PSI
- 15/32-32 thread w/ nut
- On/Off control of up to 120V, 5 amp
- 125 PSI max

**On / Off Control**

Air / Electric Switches empower you to control the On/Off of up to 120V, 5 amp.

Range Of PSI

Choose from Air / Electric Switches with activation at 10 or 25 PSI and can work up to a max of 125 PSI.

Compatible With Multiple OEMs

Easily operated by pressing the multi-function button.

FEATURED**Electric Switch**

PN 7102 Push Button

- Rated for 5 amp at 125 VAC
- Normally closed, push button

Valve Kit

PN 7143 Technician's Valve Kit

Kit includes:



7143

- PN 7012 Toggle Valve, On/Off, 2-Way, Gray, 3 ea.
- PN 7016 Toggle Valve, On/Off, 3-Way, Gray, 3 ea.
- PN 7052 Needle Valve w/Knob, Gray, 3 ea.
- PN 7021 Toggle Valve, Momentary, 2-Way, Normally Closed, Gray, 3 ea.
- PN 7026 Toggle Valve, Momentary, 3-Way, Normally Closed, Gray, 3 ea.
- PN 7027 Toggle Valve, Momentary Gray 3-Way, Normally Open, Gray, 3 ea.
- PN 7001 Toggle Routing Valve, 2-Way, Gray, 3 ea.
- PN 7151 Toggle Routing Valve, Side Ported, Gray, 3 ea.
- PN 7164 Rear Ported Valve, Valve, 3-Way, Side, Gray, 3 ea.
- PN 7038 Toggle Only, Momentary w/Pin Assy, Black, 3 ea.
- PN 7123 Toggle Only, Detented w/Pin, Black, 3 ea.
- PN 7039 Toggle Only, Momentary w/Pin Assy, Gray, 3 ea.
- PN 7124 Toggle Only, Detented w/Pin, Gray, 3 ea.
- PN 7014 Toggle Valve, Momentary, 2-Way w/Special Toggle, 3 ea.
- PN 7070 Air Pilot Valve, 2-Way, Normally Closed, 3 ea.
- PN 7166 Cup Filler Valve, Momentary, 2-Way, Gray, 3 ea.
- PN 5947 Holder Valve, Auto HP, Normally Open, Side Port, 5 ea.
- PN 5948 Holder Valve, Auto HP, Normally Closed, Side Port, 5 ea.
- PN 5989 Holder Valve, Auto HP, Normally Open, Rear Port, 5 ea.
- PN 5983 Holder Valve, Auto HP, Normally Closed, Rear Port, 5 ea.
- PN 7078 Valve Mounting Bracket, Single, 2 ea.
- PN 7140 Check Valve w/Ball, 1/16" Barb, 10 ea.
- PN 7090 Shuttle Valve, 1/8", 5 ea.
- PN 8068 Storage Box, Plastic, 24 Compartment, 1 ea.

Technicians Fittings Kit

PN 8781 Technician Fittings Kit



Kit includes:

- PN 8885 12 Compartment Storage Box, 1 ea.
- PN 0072 10-32 Plastic Washers, 100 ea.
- PN 0077 1/16" Plated In-Line Metal Barb, 10 ea.
- PN 0078 1/8" Plated In-Line Barb, 10 ea.
- PN 0198 1/8" Plastic Clamp Sleeve, 100 ea.
- PN 0197 1/4" Plastic Clamp Sleeve, 25 ea.
- PN 0064 10-32 Female Cross, 10 ea.
- PN 0065 10-32 Female Tee, 10 ea.
- PN 0189 10-32 Plug, 50 ea.
- PN 0187 10-32 1/16" Metal Barb, 50 ea.
- PN 0188 10-32 1/8" Metal Tee, 50 ea.
- PN 0951 1/16" Metal Tee, 20 ea.
- PN 0952 1/16" Metal Cross, 20 ea.

Dentist's Emergency Repair Kit

PN 8071 Dentist's Emergency Repair Kit



8071



0071



0070

- Use for repair of minor problems occurring most frequently in dental units

Kit includes:

- PN 0070 1/4" Plastic Sleeve, 10 ea.
- PN 0071 1/8" Plastic Sleeve, 10 ea.
- PN 0023 1/4" Poly Sleeve, 5 ea.
- PN 0021 1/4" Poly Nut & Sleeve, 2 ea.
- PN 0072 10-32 Plastic Washer, 20 ea.
- PN 0075 10-32 x 1/8" Plated Barb, 5 ea.
- PN 0074 10-32 x 1/16" Plated Barb, 5 ea.
- PN 0077 1/16" Plated In-Line Barb, 3 ea.
- PN 0078 1/8" Plated In-Line Barb, 3 ea.
- PN 0082 1/16" Plastic Tee, 2 ea.
- PN 0083 1/8" Plastic Tee, 2 ea.
- PN 0124 HP Gasket, Midwest 5-Hole, 2 ea.
- PN 2254 O-Ring, HVE Top, 6 ea.
- PN 2253 O-Ring, HVE Barrel, 6 ea.
- PN 2256 O-Ring, Saliva Ejector Barrel, 6 ea.
- PN 2201 O-Ring, A-dec® Style Syringes, 3 ea.
- PN 2203 O-Ring, Std. Syringe Button, 3 ea.
- PN 2255 O-Ring, Syringe Tip, 3 ea.
- PN 2267 O-Ring, Syringe Button, 3 ea.
- PN 8621 Tubing Stripper Tool, 1 ea.
- PN 8054 4" Cable Tie, 10 ea.
- PN 5754 Saliva Ejector Tip, Gray, 1 ea.
- PN 8072 Plastic Storage Box, 17 Compartment

A-dec® is a registered trademark of A-dec, Inc. These parts are manufactured by DCI to fit A-dec® equipment. DCI has no affiliation with A-dec and A-dec has not authorized DCI replacement parts to be used on or in connection with A-dec® products.



8095

- 18 Common fast acting fuses conveniently packed in an 18 compartment plastic storage box
- UL approved fuses

Fast Acting Kit & Fuses

PN 8095 Fast Acting Fuse Kit

Kit includes:

PN 8836	1/8A, 250V, 5 ea.	PN 8847	5A, 250V, 5 ea.
PN 8837	1/4A, 250V, 5 ea.	PN 8848	6A, 250V, 5 ea.
PN 8838	1/2A, 250V, 5 ea.	PN 8849	8A, 250V, 5 ea.
PN 8839	3/4A, 250V, 5 ea.	PN 8850	10A, 250V, 5 ea.
PN 8840	1A, 250V, 5 ea.	PN 8851	15A, 32V, 5 ea.
PN 8841	1-1/4A, 250V, 5 ea.	PN 8852	25A, 32V, 5 ea.
PN 8842	1-1/2A, 250V, 5 ea.	PN 8853	30A, 32V, 5 ea.
PN 8843	2A, 250V, 5 ea.	PN 8884	Plastic Storage Box Only, 18 Compartment
PN 8844	2-1/2A, 250V, 5 ea.		
PN 8845	3A, 250V, 5 ea.		
PN 8846	4A, 250V, 5 ea.		



8086

- 18 Common time delay fuses conveniently packed in an 18 compartment plastic storage box
- UL approved fuses

Time Delay Fuse Kit & Fuses

PN 8086 Time Delay Fuse Kit

Kit includes:

MDL Glass

PN 8821	1/10A, 250V, 5 ea.
PN 8822	1/4A, 250V, 5 ea.
PN 8823	1/2A, 250V, 5 ea.
PN 8824	1A, 250V, 5 ea.
PN 8825	1-1/2A, 250V, 5 ea.
PN 8826	2A, 250V, 5 ea.
PN 8827	2-1/2A, 250V, 5 ea.
PN 8828	3A, 250V, 5 ea.
PN 8829	4A, 250V, 5 ea.
PN 8830	5A, 250V, 5 ea.
PN 8831	6-1/4A, 250V, 5 ea.
PN 8832	15A, 32V, 5 ea..

MDA Ceramic

PN 8886	6A, 250V, 5 ea.
PN 8887	8A, 250V, 5 ea.
PN 8888	10A, 250V, 5 ea.
PN 8833	12A, 250V, 5 ea.
PN 8834	15A, 250V, 5 ea.
PN 8835	20A, 250V, 5 ea.
PN 8884	Plastic Storage Box, 18 Compartment



8092

- 18 Commonly used wire connectors & wire nuts conveniently packaged in an 18 compartment plastic storage box

Crimp On Wire Connector Kit

PN 8092 Crimp-On Wire Connector & Wire Nut Kit

Kit includes 20 ea.:

PN 8854	#6 Ring, Non-Insulated, 22-18 AWG
PN 8855	#4 Ring, Insulated, 22-18 AWG
PN 8856	#6 Ring, Insulated, 22-18 AWG
PN 8857	#8 Ring, Insulated, 22-18 AWG
PN 8858	#6 Ring, Insulated, 16-14 AWG
PN 8859	#8 Ring, Insulated, 16-14 AWG
PN 8860	#10 Ring, Insulated, 16-14 AWG
PN 8861	#6 Spade, Insulated, 16-14 AWG
PN 8862	#8 Spade, Insulated, 16-14 AWG
PN 8863	#10 Spade, Insulated, 16-14 AWG
PN 8864	Butt Connector, Insulated, 22-18 AWG
PN 8865	Butt Connector, Insulated, 16-14 AWG
PN 8866	Pig Tail, Insulated, 22-14 AWG
PN 8867	Pig Tail, Insulated, 8-10 AWG
PN 8868	Q.D., .250 Female, Insulated, 16-14 AWG
PN 8869	Q.D., .250 Male, Insulated, 16-14 AWG

Kit includes 15 ea.:

PN 8870
Wire Nut, 22-14 AWG

Kit includes 5 ea.:

PN 8871
Wire Nut, 18-10 AWG

Kit includes 1 ea.:

PN 8884
Plastic Storage Box only,
18 Compartment

O-Rings

* Asterisk designates O-Rings
included in DCI kit 8067

Std P/N	DCI Part No.	A-dec® Cross Ref.	Material	Fractional Dimension	I.D. x Cross Section
* -001	2225	030.001.00	buna-n	1/32	.029 x .040
* -002	2230	030.002.00	buna-n	3/64	.042 x .050
-002	2261	034.002.00	viton	3/64	.042 x .050
	2255		buna-n	3/64	.053 x .064
	2252		viton	3/64	.053 x .064
* -003	2201	030.003.00	buna-n	1/16	.056 x .060
* -003	2305	034.003.00	viton	1/16	.056 x .060
	2220		buna-n	1/16	.057 x .040
	2204		buna-n	1/16	.065 x .035
*	2211	035.025.00	buna-n	5/64	.070 x .040
	2263	035.050.00	viton	5/64	.070 x .040
* -004	2229	030.004.00	buna-n	5/64	.070 x .070
	2217		buna-n	5/64	.075 x .035
	2266		viton	5/64	.081 x .103
	2267		buna-n	5/64	.081 x .103
	2218		buna-n	3/32	.085 x .055
* -005	2231	030.005.00	buna-n	7/64	.101 x .070
* -006	2203	030.006.00	buna-n	1/8	.114 x .070
* -006	2242	035.048.00	viton	1/8	.114 x .070
	2293		buna-n	1/8	.128 x .050
	2262		viton	1/8	.129 x .050
	2282		viton	1/8	.136 x .040
	2271		buna-n	9/64	.144 x .025
* -007	2232	030.007.00	buna-n	5/32	.145 x .070
-007	2280		viton	5/32	.145 x .070
	2208		buna-n	3/16	.172 x .037
	2209		buna-n	3/16	.176 x .050
	2281		viton	3/16	.176 x .066
* -008	2205	030.008.00	buna-n	3/16	.176 x .070
*	2212		buna-n	3/16	.180 x .040
	2264		viton	3/16	.180 x .040
	2298	034.107.00	ethylene propylene	7/32	.206 x .103
	2309		viton	7/32	.206 x .103
* -009	2233	030.009.00	buna-n	7/32	.208 x .070
* -010	2214	030.010.00	buna-n	1/4	.239 x .070
-010	2256		viton	1/4	.239 x .070
*	2244	035.004.00	buna-n	1/4	.240 x .033
	2247		buna-n	1/4	.248 x .048
*	2202		buna-n	1/4	.250 x .032
	2259		viton	1/4	.250 x .032
	2260		buna-n	17/64	.270 x .070
	2285		viton	19/64	.300 x .050
* -011	2234	030.011.00	buna-n	5/16	.301 x .070

A-dec® is a registered trademark of A-dec, Inc. DCI has no affiliation with A-dec and A-dec has not authorized DCI replacement parts to be used on or in connection with A-dec® products.

O-Rings *(continued)*

Std P/N	DCI Part No.	A-dec® Cross Ref.	Material	Fractional Dimension	I.D. x Cross Section
	2269		viton	5/16	.301 x .070
	2268		viton	21/64	.323 x .035
* -110	2241	030.110.00	buna-n	3/8	.362 x .103
* -012	2210	030.012.00	buna-n	3/8	.364 x .070
-012	2257	034.012.00	viton	3/8	.364 x .070
* -013	2207	030.013.00	buna-n	7/16	.426 x .070
-013	2254	034.013.00	viton	7/16	.426 x .070
	2289		buna-n	7/16	.426 x .526
	2284		viton	7/16	.438 x .110
	2206		buna-n	7/16	.447 x .052
	2253		viton	7/16	.447 x .052
* -014	2228	034.014.00	ethylene propylene	1/2	.489 x .070
* -014	2243	033.014.00	viton	1/2	.489 x .070
* -015	2235	030.015.00	buna-n	9/16	.551 x .070
* -016	2236	030.016.00	buna-n	5/8	.614 x .070
* -017	2237	030.017.00	buna-n	11/16	.676 x .070
* -018	2215	030.018.00	buna-n	3/4	.739 x .070
	2297		buna-n	13/16	.799 x .103
* -019	2238	030.019.00	buna-n	13/16	.801 x .070
* -020	2223	030.020.00	buna-n	7/8	.864 x .070
-119	2224		buna-n	15/16	.924 x .103
	2270	030.021.00	buna-n	15/16	.926 x .070
* -023	2239	030.023.00	buna-n	1-1/16	1.051 x .070
	2221		buna-n	1-55/64	1.86 x .070
	2246		buna-n	2-7/64	2.109 x .139
* -034	2240	030.034.00	buna-n	2-1/8	2.114 x .070
* Quad-Ring	2245	035.003.00	buna-n	1/32	.029 x .040

* Asterisk designates O-Rings included in DCI kit #8067



8067



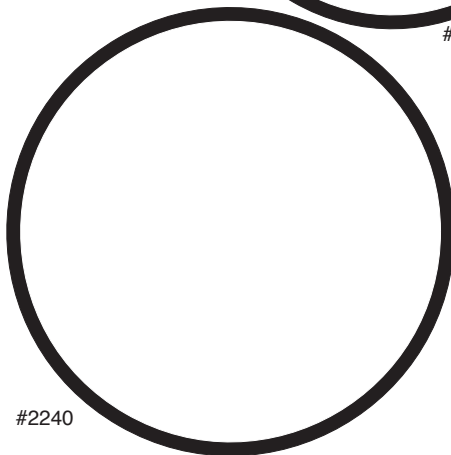
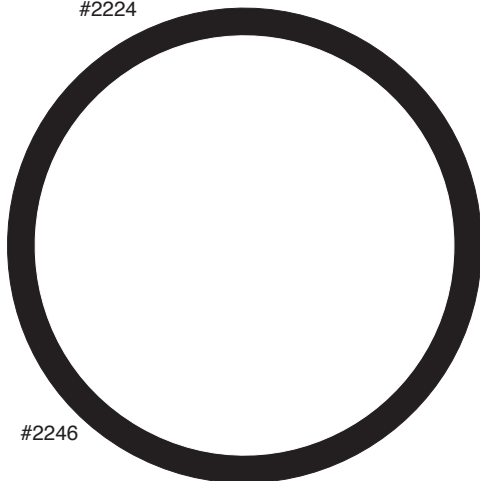
8068

O-Ring Kit

PN **8067** O-Ring Kit
 PN **8068** Plastic Box Only

- The kit contains 30 different O-Rings in packages of 12 each, totaling 360 O-Rings
- The O-Rings come conveniently packaged in a 24 compartment plastic storage box
- Items above marked with "*" are included in kit

A-dec® is a registered trademark of A-dec, Inc. These parts are manufactured by DCI to fit A-dec® equipment. DCI has no affiliation with A-dec and A-dec has not authorized DCI replacement parts to be used on or in connection with A-dec® products.





2493

Scavenger Accessories

PN **2493** Vacuum Connection Kit Only (MDT #3-71-0902-30)

- 3/8" I.D. tubing, contains Latex



2454

PN **2454** Corrugated Breathing Tube (MDT#3-70-0389-10)



2496

Nasal Hood Tubing

PN **2496** Inlet Tubing 30" L x 9/16" O.D. x 3/8" I.D.

PN **2460** Outlet Tubing 30" L x 1/2" O.D. x 1/4" I.D.



H Style Scavenger Connector

PN **2640** H Style Scavenger Connector (MDT #3-71-0895-10)

- For use on Scavenger Systems
- Clear plastic for tubing hook-up



Exhalation Valve

PN **2516** Exhalation Valve (MDT #3-71-0335-30)

- For exhalation of used gases
- Used on Nasal Hoods MDT #31-0187-31 & MDT #3-71-0185-30

Mouth Props



2434

Rubber over brass construction

No latex used

Gray, sterilizable

Box of 2 each

Autoclavable



2435

PN **2433** Small Pedo (MDT #3-71-0981-20)

PN **2434** Child (MDT #3-71-0982-20)

PN **2435** Adult (MDT #3-71-0983-20)



PN **2436** Large Adult (MDT #3-71-0984-20)

PN **2437** Edentulous (MDT #3-71-0985-20)



2530

Oxygen & Nitrous Oxide Hoses

PN **2530** Oxygen Hose (MDT #3-71-3709-30)

PN **2524** Nitrous Oxide Hose (MDT #3-71-3708-30)

- 5' length
- DISS to DISS
- Includes female DISS connectors
- Portable cart to tank regulator

Tapmaster® Kick Plate Activated Faucet Control



PN 1555 Tapmaster® Kick Plate

- Mixes hot & cold water
- Foot activated stainless steel kick plate
- Light touch activation & lock on feature
- Includes all necessary hardware

Tapmaster® Cabinet Door Activated Faucet Control



PN 1550 Tapmaster® Door Activated

- Mounts to sink cabinet door
- No electricity required
- Light touch activation

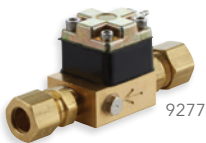
Tapmaster® Repair Parts



PN 1560 Valve Block Service Kit

PN 1561 Replacement Pilot Valve w/ Button Actuator

Faucet Activating Controls



PN 9277 Air Actuated Water Shut Off Valve (A-dec® #34.0036.00)

- For Preference Collection® & Preference® II sinks



PN 7831 Valve, Roller (SST), 3-Way, Momentary, N.C.
(A-dec® #026.096.00)

- For door and foot-activated water dispenser

A-dec®, Preference Collection® and Preference® are registered trademarks of A-dec, Inc. These parts are manufactured by DCI to fit A-dec® equipment. DCI has no affiliation with A-dec and A-dec has not authorized DCI replacement parts to be used on or in connection with A-dec® products.



Combined Sharps & Waste Chute

PN 6804 Sharps & Waste Chute

- Easy change bag holder
- Fits counters up to 1"
- Can be under mounted
- Includes lid & 6803 sharps container
- Direct replacement for Pelton & Crane® cabinets



Thru Counter Sharps Container

PN 6802 Counter Mount Sharps Container

PN 6803 Replacement Containers

- Holds 1.7 qt. sharps container
- Includes lid & 6803 sharps container
- Direct replacement for Pelton & Crane® cabinets
- 5" I.D. x 11" tall



Replacement Sharps Containers

PN 6803 Replacement Containers (1.7 Qt.)

PN 6820 Replacement Containers (6.2 Qt.)



Waste Chute

PN 6800 4" Waste Chute

PN 6801 6" Waste Chute

- Easy change bag holder
- Fits counters up to 1"
- Can be under mounted
- Direct replacement for Pelton & Crane® cabinets



6" Stainless Steel Waste Bezels

PN 6805 Stainless Steel Waste Bezel 2" Tall

PN 6806 Stainless Steel Waste Bezel 5 1/4" Tall

- Rolled top edge
- 6" I.D.



Drawer Push Latch

PN **6807** Drawer Push Latch w/ Screws (A-dec® #55.1934.00)



Waste Door Opener

PN **6808** Waste Door Opener

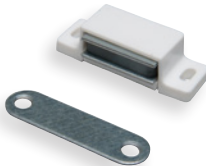


Magnetic Pressure Catch

PN **6812** Magnetic Pressure Catch - Single Door

PN **6813** Magnetic Pressure Catch - Double Door

FEATURED



Magnetic Catch

PN **68906** Magnetic Catch, 4-5KG Pull



Counter Top Mounted HVE's

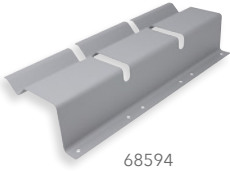
PN **5781** Chrome Bezel

PN **5782** Nickel Bezel

- For mounting HVE in the top of a cabinet (sterilization, lab)
- Includes colored bezel, premium HVE valve, tubing & canister

A-dec® is a registered trademark of A-dec, Inc. These parts are manufactured by DCI to fit A-dec® equipment. DCI has no affiliation with A-dec and A-dec has not authorized DCI replacement parts to be used on or in connection with A-dec® products.

FEATURED



Glove dispensers, Dark Gray

PN **68592** Single
PN **68593** Dual
PN **68594** Triple

FEATURED



Towel & Cup Dispensers

PN **68284** Towel/Cup Dispenser

FEATURED



Glove Dispenser, Grommet

PN **68285** Grommet, Oval, Black

FEATURED



Sanitizer Wipes Holder

PN **6822** Holder Assy, Sanitizer Wipes, White

FEATURED



68372

Glass Shelf Support

PN **68372** Support, Glass Shelf, 5mm, Nickel Plated

FEATURED



68412

Panel-Mounted USB Hub

PN **68412** USB Dual Hub, Panel Mount, 3.0

FEATURED



68477

USB Fan

PN **68477** Fan, USB, 80mm

9302

Delta Soap Dispensers

PN **9302** Chrome Soap DispenserPN **9310** Replacement Bottle

- Easy refill through counter w/ funnel (included)
- Accommodates counters up to 1 1/2"



Retail pricing
available at
dciparts.com

Delivery System Parts



228-250

Parts to fit A-dec®



251-252

Parts to fit Dentech



253

Other OEM Parts



254-258

Parts to fit
P&C/Marus

A-dec® is a registered trademark of A-dec®, Inc. These parts are manufactured by DCI to fit A-dec® equipment. DCI has no affiliation with A-dec® and A-dec® has not authorized DCI replacement parts to be used on or in connection with A-dec® products.

Arm Mounted Automatic Control Unit

The Arm Mounted Automatic Control Unit features a new, simplified design with straightforward internals such as a single diaphragm control block without any moving pistons, springs, or O-rings and a simple combination valve for water flow control. This unit is a direct replacement for A-dec® Cascade® models.



4378

FEATURED

Arm Mounted Automatic Control Unit

PN **4378** Arm Mounted Automatic Control Unit for 3 HP, Surf, to fit A-dec® Cascade®

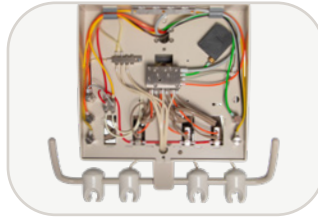
- Replacement for A-dec® Cascade®
- Color matched 21 ft. umbilical
- Individual Non-retracting Water Coolant
- Includes Precision Comfort® Syringe
- Quick Install

A-dec® and Cascade® are registered trademarks of A-dec®, Inc. These parts are manufactured by DCI to fit A-dec® equipment. DCI has no affiliation with A-dec® and A-dec® has not authorized DCI replacement parts to be used on or in connection with A-dec® products.



**Direct Replacement**

PN 4378, Arm-Mounted Automatic Control Unit is a direct replacement for all Cascade® models with a 2" head mount. The smooth asepsis design, sand color, and standard features make it perfect for replacing a standard Cascade® unit.

**Simplified Design**

The simplified design adds individual holders for easier upkeep and a more reliable robust mount.

**Matching Features**

This three HP automatic unit comes with an air/water syringe, individual water flow control, chip air adjustment, flush system, and brake activation on the left and right side of the head.

**TECH TIP****DID YOU KNOW that the Arm Mounted Automatic Control Unit comes standard with a full length 12' umbilical?**

If the original umbilical is damaged, string the new one to the junction box or cut the umbilical short. Then, match the colors and align them together at the upper 2" control mount.



4378

A-dec® and Cascade® are registered trademarks of A-dec®, Inc. These parts are manufactured by DCI to fit A-dec® equipment. DCI has no affiliation with A-dec® and A-dec® has not authorized DCI replacement parts to be used on or in connection with A-dec® products.

**Gaskets & Diaphragms to fit A-dec®
Century® Pac Control Systems**



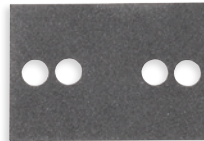
PN 9413
(A-dec® #38.0120.01) (pkg of 5)
Fits Century® Pac Control System



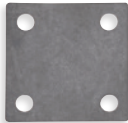
PN 9412
(A-dec® #38.0118.01) (pkg of 5)
Fits Century® Pac Control System



PN 9411
Clear Auto Block Gasket
(A-dec® #29.0050.01) (pkg of 5)
Auto Block Gasket -
Auto Pac controls



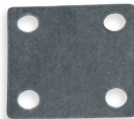
PN 9003
Diaphragm for Valve
(A-dec® #22.0770.00)
(A-dec® #22.0774.01) (pkg of 10)
Used in Handpiece Control Valve



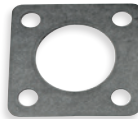
PN 9002
Pilot Valve Diaphragm (1" square)
(A-dec® #22.0440.02) (pkg of 10)
Used in Coolant Air & Water
Valve, Auto Pac, Air Operated
Shut-off Valves, Black (Water)
& White (Air) Regulator Assembly



PN 9004
Gasket 9-Hole
(A-dec® #24.0137.01) (pkg of 10)



PN 9012
Diaphragm Top (3/4" square)
(A-dec® #38.0054.02) (pkg of 10)



PN 9005
5-Hole Gasket
(A-dec® #24.0136.01) (pkg of 10)

A-dec® and Century® are registered trademarks of A-dec®, Inc. These parts are manufactured by DCI to fit A-dec® equipment. DCI has no affiliation with A-dec® and A-dec® has not authorized DCI replacement parts to be used on or in connection with A-dec® products.

Diaphragms & Gaskets to fit A-dec® Century Plus®



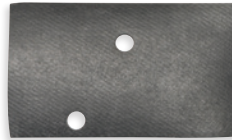
PN 9157
"RED" Scaler Block Gasket
(A-dec® #38.0550.01) (pkg of 5)



PN 9158
"CLEAR" Handpiece Block Gasket
(A-dec® #38.0507.01) (pkg of 10)



PN 9161
Handpiece Block Cap Diaphragm
(A-dec® #38.0519.01) (pkg of 10)



PN 9320
Fiber Optic Light Source Diaphragm
(A-dec® #75.0911.01) (pkg of 5)

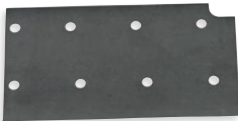
Gasket to fit A-dec® Century® II Control Head Supply Manifold



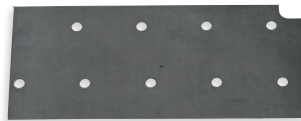
PN 9410
Manifold Gasket
(A-dec® #35.0574.01) (pkg of 5)

- Fits 11 port tubing manifold

Diaphragms to fit A-dec 300® & 500® Series Control Blocks



PN 9308
Diaphragm to fit A-dec® 300
(A-dec® #38.1833.01) (pkg of 5)



PN 9309
Diaphragm to fit A-dec® 500
(A-dec® #38.1787.01) (pkg of 5)

Not shown in actual size.

A-dec®, Century Plus®, Century II®, A-dec 300® and A-dec 500® are registered trademarks of A-dec®, Inc. These parts are manufactured by DCI to fit A-dec® equipment. DCI has no affiliation with A-dec® and A-dec® has not authorized DCI replacement parts to be used on or in connection with A-dec® products.

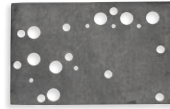
Parts to fit A-dec® Recirculator

**Diaphragm to fit
A-dec® Vacuum Drain**



PN 9318
Diaphragm
(A-dec® #40.0756.01) (pkg of 5)

**Diaphragm to fit A-dec®
Performer® Control Block**



PN 9319
Diaphragm
(A-dec® #38.0711.01) (pkg of 5)



**Service Kit to fit A-dec®
Century Plus® Control Block**

PN 9154 Service Kit (A-dec® #38.0537.01)

Kit includes:

- | | | |
|----------------|-------------------------|----------------------|
| PN 9167 | Air Bleed Cartridge | (A-dec® #38.0517.00) |
| PN 9168 | Check Valve Cartridge | (A-dec® #38.0518.00) |
| PN 9169 | Water Coolant Cartridge | (A-dec® #38.0520.00) |
| PN 2225 | O-Ring | (A-dec® #030.001.00) |
| PN 2230 | O-Ring | (A-dec® #030.002.00) |
| PN 9157 | Red Gasket | (A-dec® #38.0550.01) |
| PN 9158 | Clear Gasket | (A-dec® #38.0507.01) |
| PN 9257 | Water Stem | (A-dec® #38.0516.00) |
| PN 9311 | Drive Air Stem | (A-dec® #38.0510.00) |
| PN 9161 | Diaphragm | (A-dec® #38.0519.01) |
| PN 9312 | Cap Assy | (A-dec® #38.0511.00) |

A-dec®, Performer®, Century® and Century Plus® are registered trademarks of A-dec®, Inc. These parts are manufactured by DCI to fit A-dec® equipment. DCI has no affiliation with A-dec® and A-dec® has not authorized DCI replacement parts to be used on or in connection with A-dec® products.



9114

Tie Bolts to fit A-dec® Century Plus® Blocks

PN 9114 3 Block Tie Bolt Kit (A-dec® #38.0504.07)

PN 9116 4 Block Tie Bolt Kit (A-dec® #38.0504.08)

PN 9115 5 Block Tie Bolt Kit (A-dec® #38.0504.09)

- Includes two bolts, two washers & two nuts



9070

Service Kit for A-dec® Century® Water Coolant Valve

PN 9070 Service Kit

PN 9068 End Cap Assy (A-dec® #38.0106.00)

PN 9069 Piston Assy (A-dec® #38.0104.00)

PN 9067 Needle Valve Stem (A-dec® #38.0102.00)

Kit includes:

PN 3090	Valve Core	(A-dec® #026.033.01)
PN 9067	Stem	(A-dec® #38.0102.00)
PN 9025	Truss Hd Screw	(A-dec® #001.002.01)
PN 9066	Compr. Spring	(A-dec® #22.0580.00)
PN 9068	End Cap	(A-dec® #38.0106.00)
PN 9069	Piston	(A-dec® #38.0104.00)
PN 9065	Set Screw	(A-dec® #007.001.00)
PN 9062	Soc Hd Cap Scr	(A-dec® #002.024.00)
PN 2203	O-Ring	(A-dec® #030.006.02)



TECH TIP

1

When servicing the Century® water coolant valve, first remove the set screw from the rear of the end cap.

2

Next, remove the top screw that retains the end cap and screw the top screw into the back of the end cap where the set screw had been. Now the end cap will pull out easily.

3

The set screw in the piston can then be removed and the top screw installed in its place to remove it.



Check Valve Cartridge to fit A-dec® Century Plus®

PN 9168 Check Valve "Blue Base"
(A-dec® #38.0518.00) (pkg of 3)



Air Bleed Cartridge to fit A-dec® Century Plus®

PN 9167 Air Bleed "Brass Base"
(A-dec® #38.0517.00) (pkg of 3)



Water Valve Cartridge to fit A-dec® Century Plus®

PN 9169 Water Valve Cartridge "Red Base"
(A-dec® #38.0520.00) (pkg of 3)



Dry Block Kit to fit A-dec® Century Plus®

PN 9315 Dry Block Kit
(A-dec® #38.0648.00)

- Black Base
- Contains 2 plugs (one water, one check valve)



Adjustment Keys to fit A-dec® Cascade®/Decade® Control Blocks

PN 9324 Adjustment Key
(A-dec® #98.0867.02) (pkg of 5)

- Autoclavable adjustment keys for handpiece controls

Adec®, Century Plus®, Cascade® and Decade® are registered trademarks of A-dec®, Inc. These parts are manufactured by DCI to fit A-dec® equipment. DCI has no affiliation with A-dec® and A-dec® has not authorized DCI replacement parts to be used on or in connection with A-dec® products.





9153

Air Bleed Valves to fit A-dec® Handpiece Holders

- PN 9151 Bleed Valve 2-Way Cascade® Unitized
(A-dec® #33.0132.00), 90° Angle Barb
PN 9152 Bleed Valve 2-Way Excellence Holder (A-dec® #33.0025.00)
PN 9153 Bleed Valve 2-Way Continental® Whip (A-dec® #33.0025.01)



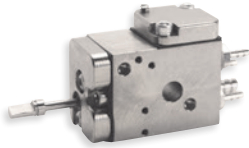
9052

Service Kit to fit A-dec® Century® II Control Block

PN 9052 Service Kit (A-dec® #90.0321.00)

Kit includes:

- | | | |
|---------|-----------------|-----------------------|
| PN 9012 | Diaphragm Top | (A-dec® #38.0054.02) |
| PN 9046 | Diaphragm Front | (A-dec® #38.0179.02) |
| PN 9007 | Gasket Clear | (A-dec® #38.0186.02) |
| PN 9027 | Compr. Spring | (A-dec® #013.025.00) |
| PN 9051 | But Hd Soc Scr | (A-dec® #002.097.00) |
| PN 9050 | Stem | (A-dec® #29.0831.00) |
| PN 2229 | O-Ring | (A-dec® #0030.004.02) |



Control Block to fit A-dec® Century® II

PN 9146 Control Block (A-dec® #38.0223.02)



Holdback Valve Cover to fit A-dec® Century® II Control Block

PN 9328 Holdback Valve Cover w/Screws Only (A-dec® #38.0178.00)



Holdback Valve Cover Kit to fit A-dec® Century® II Control Block

PN 9147 Holdback Valve Cover Kitz (A-dec® #90.0304.00)



Water Coolant Valve Cover Kit to fit A-dec® Century® II Control Block

PN 9148 Water Coolant Valve Cover Kit
• Cover, diaphragm, piston & spring

A-dec®, Cascade®, Excellence®, Continental® and Century® are registered trademarks of A-dec®, Inc. These parts are manufactured by DCI to fit A-dec® equipment. DCI has no affiliation with A-dec® and A-dec® has not authorized DCI replacement parts to be used on or in connection with A-dec® products.



Needle Valve Stem to fit A-dec® Century® II Air Coolant Cartridge

PN **9180** Needle Valve Stem (A-dec® #33.0117.00)

- Fits (A-dec® #33.0101.00) cartridge housing



Needle Valve Stem to fit A-dec® Century® II Water Coolant Valve

PN **9019** Valve Stem (A-dec® #33.0103.00)

PN **9025** Valve Stem Retaining Truss Screw
(A-dec® #001.002.01) (pkg of 10)

- Fits Century® II control block & Century® II needle valve



Drive Air Adjustment Screw to fit A-dec® Century® II

PN **9023** Drive Air Adjustment Screw
(A-dec® #29.0100.00) (pkg of 3)

- Fits Century® II control block, Pac control system,
handpiece control valve & Century® II master block



Tie Bolts to fit A-dec® Century® II Control Blocks

PN **9149** 3 Block Tie Bolt Kit (A-dec® #38.0193.01)

PN **9117** 4 Block Tie Bolt Kit (A-dec® #38.0194.01)

- Includes nut & washer

A-dec® and Century® are registered trademarks of A-dec®, Inc. These parts are manufactured by DCI to fit A-dec® equipment. DCI has no affiliation with A-dec® and A-dec® has not authorized DCI replacement parts to be used on or in connection with A-dec® products.





Q.D. Plug to fit A-dec® Control Block

PN **9237** Q.D. Plug (A-dec® #026.160.01) (pkg of 5)



Barb to fit A-dec® Silicone Handpiece Tubing

PN **9334** Q.D. Barb, 1/8" (A-dec® #026.174.01) (pkg of 5)

PN **9335** Q.D. Barb, 3/16" (A-dec # 026.175.01) (pkg of 5)



Barb to fit A-dec® Vinyl Handpiece Tubing

PN **9337** Q.D. Barb, 1/8" (A-dec® #026.161.00)

PN **9336** Q.D. Barb, 1/4" (A-dec® #023.088.00)



Cartridges & Diaphragms to fit A-dec 300® & 500® Control Blocks

PN **9305** Cartridge Retaining Ring
(A-dec® #38.1779.01) (pkg of 5)

PN **9306** Dry Cartridge (A-dec® #38.1783.00)

PN **9307** Water Cartridge (A-dec® #38.1780.00)



PN **9308** Diaphragm to fit A-dec 300® Control Block
(A-dec® #38.1833.01) (pkg of 5)



PN **9309** Diaphragm to fit A-dec 500® Control Block
(A-dec® #38.1787.01) (pkg of 5)



Adjustment Parts to fit A-dec® Control Blocks

PN **9314** Adjustment Keys to fit A-dec 500®
(A-dec® #38.1808.01) (pkg of 4)

- Key with O-Ring for air & water adjustment stems

PN **9323** Drive Air Adjustment Stem to fit A-dec 300®/500®
(A-dec® #38.1785.01)

PN **9313** Air Coolant Stem to fit A-dec 500®
(A-dec® #38.0526.00)

A-dec®, A-dec 300® and A-dec 500® are registered trademarks of A-dec®, Inc. These parts are manufactured by DCI to fit A-dec® equipment. DCI has no affiliation with A-dec® and A-dec® has not authorized DCI replacement parts to be used on or in connection with A-dec® products.



Replacement A-dec® Toggle Valve Master Switch "Side Barb"

PN **7155** Black Toggle Valve (A-dec® #33.0048.03)
PN **7156** Gray Toggle Valve (A-dec® #33.0048.04)



Replacement A-dec® Routing Toggle Valve "Side Barb"

PN **7150** Black Selector / Routing Valve (A-dec® #33.0104.03)
PN **7151** Gray Selector / Routing Valve (A-dec® #33.0104.04)

- Fits Century® II manual control systems
- For air only



Replacement A-dec® On/Off Toggle Valve "Rear Port"

GRAY | BLACK

7164 | **7163** 2-Way Toggle Valve (A-dec® #33.0096.00)
7161 | **7160** 3-Way Toggle Valve (A-dec® #33.0080.01)

- On / Off Operation
- Rear ports
- 2-way or 3-way



Replacement A-dec® Momentary Toggle Valve "Rear Port"

GRAY | BLACK

7169 | **7168** 2-Way Toggle Valve (A-dec® #42.0537.03)



Replacement A-dec® Momentary Toggle Valve "Round Body"

GRAY | BLACK

7166 | **7167** 2-Way Toggle Valve (A-dec® #33.0008.01)

- Fits cuspidor models prior to 1982

A-dec® and Century® are registered trademarks of A-dec®, Inc. These parts are manufactured by DCI to fit A-dec® equipment. DCI has no affiliation with A-dec(r) and A-dec(r) has not authorized DCI replacement parts to be used on or in connection with A-dec® products.



Air Q.D. Kit to fit A-dec® Handpiece Controls

PN **9290** Q.D. Kit for Air (A-dec® #026.130.00)

- Includes male & female Q.D.'s, Hardware & Tubing
- Plastic spacer



Self Contained Water Q.D. Kit to fit A-dec® Handpiece Controls

PN **9293** Q.D. Kit for Self Contained Water (A-dec® #90.0370.00)

PN **9298** Male Self Contained Water Q.D. (A-dec® #13.0375.00)

PN **9172** Female Self Contained Water Q.D. (A-dec® #026.125.00)

- Kit 9293 includes male & female Q.D.'s, Hardware
- Non-recessed



City Water Q.D. Kit to fit A-dec® Handpiece Controls

PN **9292** Q.D. Kit for City Water (A-dec® #026.134.00)

PN **9299** Male Adjustable City Water Q.D. (A-dec® #13.0381.00)

PN **9173** Female City Water Q.D. (A-dec® #026.157.00)

- Kit 9292 includes male & female Q.D.'s, Hardware & Tubing
- Recessed



Flow Restrictor to fit A-dec® Handpiece Controls

PN **9317** Double Flow Restrictor (A-dec® #23.0173.00)

- Flow control for 1/8" Tubing
- Used for syringe air/water flow control

A-dec® is a registered trademark of A-dec®, Inc. These parts are manufactured by DCI to fit A-dec® equipment. DCI has no affiliation with A-dec® and A-dec® has not authorized DCI replacement parts to be used on or in connection with A-dec® products.

Air Electric Switches to fit A-dec® Handpiece Controls



- PN **7084** Normally Open 10 PSI Switch (A-dec® #044.158.00)
- PN **7080** Normally Open 25 PSI Switch (A-dec® #044.181.00)
- PN **7089** Normally Closed 10 PSI Switch (A-dec® #044.159.00)
- PN **7087** Normally Closed 25 PSI Switch

- 120 Volt / 5 amp
- 10 PSI or 25 PSI
- Normally open or closed

Replacement A-dec® Rectangular Pressure Gauge



PN **7270** Pressure Gauge 0-60 PSI (A-dec® #026.083.01)

- 0-60 PSI reading
- 1/2" H x 1 3/4" W
- For air only
- Vibration & shock resistant

Replacement A-dec® Pneumatic Indicator

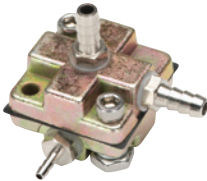


RED | GREEN

7280 | **7285** Panel Mount On / Off Indicator (A-dec® #24.0100.03)

- 25-120 PSI
- 10-32 Port w/ barb for 1/8" O.D. tubing

Replacement A-dec® Tooth Dryer Relay



PN **9243** Tooth Dryer Relay Valve (A-dec® #34.0043.00)

- 1/16" Barb (qty 1), 1/8" Barbs (qty 2)



TECH TIP

**TRYING TO SOLVE
A TOUGH TECHNICAL
PROBLEM?**

Visit the DCI Service Forum at www.dcionline.com or the DCI Video Library where you can collaborate with fellow technicians and find the answers to the most challenging dental repairs!

A-dec® is a registered trademark of A-dec®, Inc. These parts are manufactured by DCI to fit A-dec® equipment. DCI has no affiliation with A-dec® and A-dec® has not authorized DCI replacement parts to be used on or in connection with A-dec® products.





Syringe Tips to fit A-dec® Syringes

- PN 3054 Syringe Tip (each)
- PN 3055 Syringe Tip (A-dec® #23.0872.01) (pkg of 5)
- PN 3056 Syringe Tip (pkg of 50)

- Autoclavable



Parts to fit A-dec® Syringes

- PN 9286 Tool to fit A-dec® Syringes (A-dec® #98.0010.00), Valve Core Removal Tool, .050 Hex Wrench for Button Screw, 5-32" Hex Wrench for Syringe Tip Insert



- PN 9150 Syringe Button Screw (A-dec® #23.1193.01) (pkg of 5) (Product Produced 1995 & Later)



- PN 3090 Valve Core (A-dec® #026.033.01) (pkg of 10) Fits Tri-Flow, Lever, Soft Touch Button & Continental® Syringe



- PN 9028 Conical Button Spring (A-dec® #013.038.01) (pkg of 10) Fits Tri-Flow, Lever, Soft Touch Button & Continental® Syringe



- PN 9186 Button Assy to fit A-dec® Syringes (each) (A-dec® #23.1232.01)

- PN 2242 O-Ring, Viton, .114 I.D. X .070 Width, -006 (A-dec® #035.048.00) (Pkg of 12)

- PN 2305 O-Ring, Viton, .056 I.D. x .060 Width (A-dec® #034.003.00) (Pkg of 12)

- PN 9347 A-dec® Soft Syringe Buttons & Repair Kit

A-dec® Lever Syringe Repair Parts

- PN 9326 Service Kit to fit A-dec® Lever Syringes (A-dec® #23.1093.00)



Kit includes:

- PN 3070 Button for Lever Syringe (A-dec® #23.0048.01)
- PN 9028 Conical Button Spring (A-dec® #013.038.00)
- PN 8034 Silicone Lubricant (A-dec® #98.0090.01)



Replacement A-dec® Style Cuspidor Bowl Screen

PN **5312** Cuspidor Screen (A-dec® #42.0085.00)

- Fits Decade® & Excellence®
- Bowl 8" O.D. x 6 3/4" I.D.
- Includes 2 O-Rings (2246)
- Stem 2 1/2" O.D. x 1 1/2" I.D.



Screens to fit A-dec® Cuspidors

PN **5314** White Cuspidor Screen, 1 5/8" (pkg of 144)

PN **5313** Gray Cuspidor Screen, 2 1/2" (pkg of 144)



Screens to fit A-dec® Solids Collectors

PN **6818** Screen, Disposable, Fits A-dec® Cascade®/Performer® (A-dec® #11.1191.00) (pkg of 144)

PN **5512** Screen, Disposable, Fits A-dec 300®/500® (A-dec® #11.1284.01) (pkg of 144)



Water Bottle Kit to fit A-dec® Cascade® Water Systems

PN **9327** 750 ml Water Bottle Kit (A-dec® #90.0460.03)

Kit includes:

PN **8652** 750 ml Bottle 2 ea. (A-dec® #14.0416.00)

PN **8126** Bottle Cap 2 ea.



Replacement A-dec® Style Asepsis 4 Hole Handpiece Tubing *(Dark Surf)*

PN **435CT** Coiled w/ Connector

PN **435T** Straight 7 ft. w/ Connector

PN **435** Straight (per ft.)

PN **435R** Straight 100 ft. Roll

PN **435B** Straight 100 ft. Box



Replacement A-dec® Style Asepsis 2 Hole Syringe Tubing *(Dark Surf)*

PN **235C** Coiled

PN **235** Straight (per ft.)

PN **235R** 100 ft. Roll

PN **235B** 100 ft. Box

A-dec®, Cascade®, Decade®, Excellence®, Performer®, A-dec 300® and A-dec 500® are registered trademarks of A-dec®, Inc. These parts are manufactured by DCI to fit A-dec® equipment. DCI has no affiliation with A-dec(r) and A-dec(r) has not authorized DCI replacement parts to be used on or in connection with A-dec® products.



Replacement A-dec® Style Vacuum Valves

- PN **5061** Autoclavable Extended Vacuum Valve
- PN **5060** Autoclavable Short Vacuum Valve
- PN **5062** Autoclavable Saliva Ejector

Note: These parts are not made by or in any way connected to A-dec®.

PAGE **114** **ILLUSTRATED**
Parts Breakdown



737

Replacement A-dec® Style Dark Surf Vacuum Tubing

- PN **737** 1/2" I.D. Dark Surf (per ft.)
- PN **S615** 3/16" I.D. Dark Surf (per ft.)



5754

Push On Tip to fit A-dec® Saliva Ejectors

- PN **5750** Black Tip (A-dec® #12.0183.00)
- PN **5754** Gray Tip (A-dec® #12.0183.01)

See PG. 107
for all SE tips
& packages



Plug to fit A-dec® Solids Collectors

- PN **9177** HVE Hole Plug (A-dec® #028.008.00) (pkg of 10)

- Plugs off extra HVE hole
- 1/2" O.D. x 1/4" I.D.
- Easily removed to add HVE

A-dec® is a registered trademark of A-dec®, Inc. These parts are manufactured by DCI to fit A-dec® equipment. DCI has no affiliation with A-dec® and A-dec® has not authorized DCI replacement parts to be used on or in connection with A-dec® products.



Replacement A-dec® Style Foot Control
(Dark Surf)

PN **6306** Wet/Dry & Scaler Button Foot Control w/signal relay
(A-dec® #38.1601.00)

- Additional configurations available upon request, contact Customer Service



Parts to fit A-dec® Foot Controls
(Dark Surf)

PN **6110** Wet/Dry Toggle w/ 3-Way Valve (A-dec® #38.0604.00)

PN **6113** Toggle Kit, Surf (A-dec® #38.0075.03)

PN **6112** Scaler/Accessory Button w/ 3-Way Valve
(A-dec® #38.0612.00)

PN **6111** Chip Blower Button w/ 2-Way Valve (A-dec® #38.0610.00)

PN **6102** Housing, No Holes (A-dec® #38.0319.02)

PN **6103** Housing, 1 Hole for Wet/Dry Toggle (A-dec® #38.0320.02)

PN **6106** Housing, 1 Hole for Button (A-dec® #38.0763.00)

PN **6104** Housing, 2 Holes (A-dec® #38.0321.02)

PN **6107** Retaining Ring (A-dec® #38.0237.00)

PN **6070** Cover (A-dec® #22.0110.00)

PN **6095** Spring Clip (A-dec® #010.056.00)



**5 Hole Foot Control Tubing to fit
A-dec® Foot Controls** *(Dark Surf)*

PN **511** Per foot

PN **511R** 100 ft. Roll

PN **511B** 100 ft. Box

PN **653** Sheathed Asepsis 5-Hole Foot Control Tubing (per ft.)
(A-dec® #024.202.01)

- Polyurethane

A-dec® is a registered trademark of A-dec®, Inc. These parts are manufactured by DCI to fit A-dec® equipment. DCI has no affiliation with A-dec® and A-dec® has not authorized DCI replacement parts to be used on or in connection with A-dec® products.

Parts to fit A-dec® Foot Control I



PN **9141** Service Kit (A-dec® #90.0010.00)

Kit includes:

- PN **9010** Plastic Poppet (A-dec® #22.0060.00) (pkg of 10)
- PN **9160** Piston Assembly (A-dec® #22.0081.00)
- PN **6098** Relay Stem (A-dec® #22.0778.00)
- PN **9012** Relay Diaphragm (A-dec® #38.0054.02) (pkg of 10)
- PN **9029** Foot Control Spring

- Foot Control (A-dec® #38.0050.00)
- Prior to 1980

Parts to fit A-dec® Foot Control II



PN **9049** Service Kit (A-dec® #90.0312.00)

PN **9125** Main Compression "Cover" Spring (A-dec® #013.011.00) (pkg of 10)

PN **9026** Conical "Plunger Stem" Spring (A-dec® #013.022.00) (pkg of 10)

PN **6096** Stem Assy (A-dec® #38.0246.00)

PN **6070** Cover (A-dec® #22.0110.00)
Fits All A-dec® Foot Controls

PN **6046** Retaining Ring, Gray (A-dec® #38.0237.00)
Also Fits A-dec® Foot Control III

PN **6098** Signal Relay Stem w/ O-Rings (A-dec® #22.0778.00)

PN **9012** Diaphragm (A-dec® #38.0054.02) (pkg of 10)

PN **9029** Foot Control Spring

A-dec® is a registered trademark of A-dec®, Inc. These parts are manufactured by DCI to fit A-dec® equipment. DCI has no affiliation with A-dec® and A-dec® has not authorized DCI replacement parts to be used on or in connection with A-dec® products.



9082

Parts to fit A-dec® Foot Control III

PN 9082 Service Kit (A-dec® #90.0593.00)

Kit Includes:

- PN 8034 Silicone Lubricant
- PN 9010 Plastic Poppet
- PN 9029 Foot Control Spring
- PN 9012 Diaphragm
- PN 6042 Compression Spring
- PN 2210 O-Ring
- PN 6097 Piston w/Seal
- PN 6098 Stem w/O-Rings
- PN 9066 Compression Spring (A-dec® #22.0580.00) (pkg of 10)



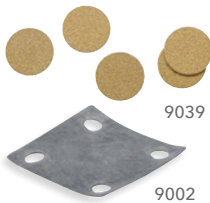
9144

Parts to fit A-dec® Lever Style Foot Control

PN 9144 Service Kit (A-dec® #90.0313.00)

Kit Includes:

- PN 9166 Valve Stem Assy (A-dec® #38.0211.00)
- PN 6098 Relay Stem Assy (A-dec® #22.0778.00)
- PN 9121 Extension Spring (A-dec® #38.0208.00)
- PN 9124 Compression Spring (A-dec® #013.019.00) (pkg of 10)
- PN 9012 Diaphragm (A-dec® #38.0054.02) (pkg of 10)
- PN 9171 Brass Washer (A-dec® #004.057.00) (pkg of 10)
- PN 9029 Foot Control Spring (A-dec #10.0440.00)



9039

9002

Parts to fit A-dec® Water Filter

PN 9039 Filter Disc "Bronze" (A-dec® #19.0220.01) (pkg of 5)

PN 9002 Diaphragm (A-dec® #22.0440.02) (pkg of 10)



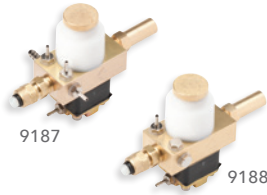
3090

Parts to fit A-dec® Air Filter/Regulator

PN 7226 Filter Element 40 micron (A-dec® #97.0280.02)

PN 3090 Valve Core (A-dec® #026.033.01) (pkg of 10)

A-dec® is a registered trademark of A-dec®, Inc. These parts are manufactured by DCI to fit A-dec® equipment. DCI has no affiliation with A-dec® and A-dec® has not authorized DCI replacement parts to be used on or in connection with A-dec® products.



Shut-Off Valve/Filter Assemblies to fit A-dec® Utility Centers

PN 9187 Air Shut-Off Valve

PN 9188 Water Shut-Off Valve

- For air or water
- Includes 40 micron filter
- 3/8" compression tube connection



Parts to fit A-dec® Air/Water Filters

PN 9107 Filter Kit (A-dec® #24.0229.00 / #24.0234.01 / #030.019.00)

PN 9108 Filter Housing (A-dec® #24.0229.00)

PN 7247 Filter Element (A-dec® #24.0234.01) (ea.)

PN 7248 Filter Element (A-dec® #24.0234.01) (pkg of 6)

- Kit Includes: housing, O-Rings, 40 micron filter element



Parts to fit A-dec® Air/Water Shut-off Valves

PN 9140 Service Kit (A-dec® #90.0090.00)

Kit Includes:

PN 9163 Stem (A-dec® #30.0731.00)

PN 9127 Compression Spring (A-dec® #19.0230.00) (pkg of 10)

PN 9002 Diaphragm (A-dec® #24.0440.02) (pkg of 10)

- Kit Includes: stem, spring, diaphragm



Parts to fit A-dec® Air Valve, White Body

PN 9105 Service Kit

Kit Includes:

PN 9097 White Body Only (A-dec® #24.0135.00)

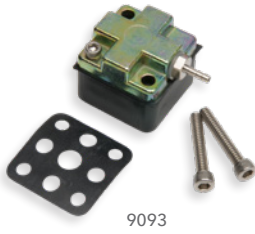
PN 9106 Plastic Piston Assy (A-dec® #24.0132.00)

PN 9098 Conical Spring (A-dec® #22.0460.00) (pkg of 10)

PN 9004 Gasket 9-Hole (A-dec® #24.0137.01) (pkg of 10)

PN 9002 Diaphragm (A-dec® #22.0440.02) (pkg of 10)

A-dec® is a registered trademark of A-dec®, Inc. These parts are manufactured by DCI to fit A-dec® equipment. DCI has no affiliation with A-dec® and A-dec® has not authorized DCI replacement parts to be used on or in connection with A-dec® products.



9093

Parts to fit A-dec® Water Valve, Black Body

PN **9093** Service Kit

Kit Includes:

- PN **9094** Black Body Only (A-dec® #24.0355.00)
- PN **9106** Plastic Piston Assy (A-dec® #24.0132.00)
- PN **9095** Conical Spring (A-dec® #13.032.00) (pkg of 10)
- PN **9004** Gasket 9-Hole (A-dec® #24.0137.01) (pkg of 10)
- PN **9002** Diaphragm (A-dec® #22.0440.00) (pkg of 10)



9013

9014

9017

Stems to fit A-dec® Micro Valves

- PN **9013** Micro Valve (A-dec® #29.0810.00)
Fits 2-way (A-dec® #38.0062.00)
- PN **9014** Micro Valve (A-dec® #29.0820.00)
Fits 3-way (A-dec® #29.0185.00)
- PN **9017** Balanced Micro Valve (A-dec® #38.0087.00)
Fits 2-way (A-dec® #38.0086.00)



9016

9048

9050

6098

Stems to fit A-dec® Valves

- PN **9016** Fits Century® II Cartridge Valve (A-dec® #29.0840.00)
- PN **9048** Fits Century® II Block w/ Water Retraction (A-dec® #29.0835.00)
- PN **9050** Fits Century® II Control Block (A-dec® #29.0831.00)
- PN **9015** Fits Century® II Water Coolant Valve (A-dec® #29.0840.00)
- PN **6098** Fits Foot Control Relay (A-dec® #22.0778.00)



9142

Parts to fit A-dec® Air Coolant Auto Block

- PN **9142** Service Kit (A-dec® #90.0012.00)
- PN **9164** Valve Stem (A-dec® #22.0999.00)



9143

Parts to fit A-dec® Water Valve Auto Block

- PN **9143** Service Kit (A-dec® #90.0014.00)

Kit Includes:

- PN **9165** Valve Stem (A-dec® #22.0776.00) (pkg of 3)
- PN **9109** Valve Stem "Pin Style" (A-dec® #29.0972.00) (pkg of 3)
- PN **9098** Compression Spring (A-dec® #22.0460.00) (pkg of 10)

A-dec® and Century® are registered trademarks of A-dec®, Inc. These parts are manufactured by DCI to fit A-dec® equipment. DCI has no affiliation with A-dec® and A-dec® has not authorized DCI replacement parts to be used on or in connection with A-dec® products.

Hardware Kit to fit A-dec® Equipment

PN 9053 Hardware Kit



9053

- 12 Common Replacement Socket Head Screws to fit A-dec® delivery systems. 25 each of the screws packaged in a 12 compartment box.

Kit includes the following screws:

- PN 9064 1/4 - 20 x 5/8", Zinc, pkg of 25 (A-dec® #001.089.00)
- PN 9054 6-32 x 3/8", Zinc, pkg of 25 (A-dec® #001.033.00)
- PN 9055 6-32 x 1/2", Zinc, pkg of 25 (A-dec® #001.042.00)
- PN 9056 6-32 x 5/8", Zinc, pkg of 25 (A-dec® #001.010.00)
- PN 9057 6-32 x 7/8", SST, pkg of 25 (A-dec® #001.026.00)
- PN 9058 6-32 x 1", Zinc, pkg of 25 (A-dec® #001.034.00)
- PN 9071 6-32 x 1", SST, pkg of 25 (A-dec® #002.011.00)
- PN 9059 4-40 x 1/4", Zinc, pkg of 25 (A-dec® #003.078.00)
- PN 9060 4-40 x 3/8", SST, pkg of 25 (A-dec® #001.024.00)
- PN 9061 4-40 x 1/2", SST, pkg of 25 (A-dec® #001.021.00)
- PN 9062 4-40 x 3/4", Zinc, pkg of 25 (A-dec® #002.024.00)
- PN 9063 2-56 x 1/2", Zinc, pkg of 25 (A-dec® #001.070.00)



8410



8013

Replacement A-dec® Style Tubs & Trays

PN 8410 Plastic Tub for Trays & Carts (A-dec® #16.0562.00)

PN 8013 Stainless Steel Tray 9 3/4" x 13 1/2" (A-dec® #043.001.00)

See PG. 129
for complete
parts of tubs



1706

5/16" O.D. Polyurethane Supply Tubing (3/16" I.D.)

BLACK	BLUE	CLEAR	ORANGE	YELLOW	
1701	1702	1703	1706	1708	Per foot
1701R	1702R	1703R	1706R	1708R	100 ft. Roll
1701B	1702B	1703B	1706B	1708B	100 ft. Box

- 5/16" OD tubing is used by A-dec®



5/16" Barb Fitting to fit A-dec® Tubing

PN 0171 10-32 x 5/16" Barb (A-dec® #023.805.01) (pkg of 10)

A-dec® is a registered trademark of A-dec®, Inc. These parts are manufactured by DCI to fit A-dec® equipment. DCI has no affiliation with A-dec® and A-dec® has not authorized DCI replacement parts to be used on or in connection with A-dec® products.



Dentech® Style Multi-Function Block Assembly Repair Kit

PN 9090 Block Repair Kit



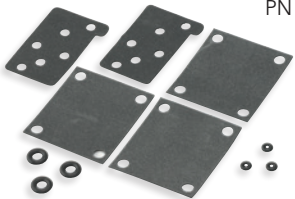
Kit Includes:

- PN 9086 Flat Seal Gasket
- PN 9085 Diaphragm, Control Block
- PN 2203 O-Ring 11-006
- PN 2230 O-Ring 11-002
- PN 9081 Spring, Check Valve
- PN 9084 Diaphragm, Coolant Block
- PN 9083 Spring, Coolant Valve
- PN 9080 Piston w/ O-Rings

- Used to repair (Dentech® #20-02-115) block assembly w/ 3 handpieces & syringe

Dentech® Style Multi-Function Block Assembly Repair Kit

PN 9089 Block Repair Kit



Kit Includes:

- PN 9085 Diaphragm, Control Block
- PN 2230 O-Ring 11-002
- PN 2203 O-Ring 11-006
- PN 9086 Flat Seal Gasket

- Dentech® repair kit (Dentech® #40-02-062)

Dentech® Style Multi-Function Block Repair Kit

PN 9088 Block Repair Kit



Kit Includes:

- PN 9083 Spring, Coolant Valve
- PN 9080 Piston w/ O-Rings
- PN 9084 Diaphragm, Coolant Block
- PN 9081 Spring, Check Valve
- PN 2230 O-Ring 11-002
- PN 2229 O-Ring 11-004

- Dentech® repair kit (Dentech® #30-02-080)

These parts are manufactured by DCI to fit Dentech® equipment. DCI has no affiliation with Dentech. DCI replacement parts are not manufactured under license or supervision of Dentech®.



Dentech® Style Coolant Block Repair Kit

PN 9087 Coolant Block Repair Kit

Kit Includes:

- PN 9083 Spring, Coolant Valve
- PN 9080 Piston w/ O-Ring
- PN 9084 Diaphragm
- PN 9081 Spring, Check Valve

- Dentech® repair kit (Dentech® #40-02-036)



Dentech® Style Coolant Block Diaphragm

PN 9084 Coolant Block Diaphragm (pkg of 5)

- Replaces (Dentech® #01-05-024)



Dentech® Style Control Block Diaphragm

PN 9085 Control Block Diaphragm (pkg of 5)

- Replaces (Dentech® #01-05-002)



Dentech® Style Flat Seal Gasket

PN 9086 Flat Seal Gasket (pkg of 5)

- Replaces (Dentech® #01-05-001)



Dentech® Style Piston Assembly w/ O-Rings

PN 9080 Piston Assembly

- Replaces (Dentech® #01-02-081)
- Coolant Block
- Multi-function block
- Includes O-Rings



Dentech® Style Coolant Valve Spring

PN 9083 Coolant Valve Spring (pkg of 10)

- Replaces (Dentech® #01-10-019)
- Coolant block
- Multi-function block



Dentech® Style Check Valve Spring

PN 9081 Check Valve Spring (pkg of 10)

- Replaces (Dentech® #01-10-039)
- Multi-function block

These parts are manufactured by DCI to fit Dentech® equipment. DCI has no affiliation with Dentech. DCI replacement parts are not manufactured under license or supervision of Dentech®.



Forest Style Control Block

PN **4437** Forest 3 HP block Gasket (Forest #0022-020)

- Replacement for Forest tri-block 1100-170



Master Shut-off/Regulator - Air

PN **7287** Master Shut-off/Regulator for Air

- Includes regulator, shut-off valve, filter and gauge for air
- 125 PSI Maximum



Master Shut-off/Regulator - Water

PN **7288** Master Shut-off/Regulator for Water

- Includes regulator, shut-off valve, filter and gauge for water



Water Relay & Flow Control "Combo" Valves

PN **7187** Midmark® Combo Valve (Midmark® #029-3411-00)

- Water relay valve with flow
- Replacement for most newer Midmark® Dental Units
- 35 PSI Activation Pressure
- Signal relay foot control required



Needle Valve "Hex Body" Knobs

PN **7185** Flow Control Knob, Blue (Midmark® #053-1165-01)

- 1/4" Brass insert shaft
- Smooth type knob

These parts are manufactured by DCI to fit Midmark & Forest equipment. DCI has no affiliation with Midmark or Forest. DCI replacement parts are not manufactured under license or supervision of Midmark or Forest.

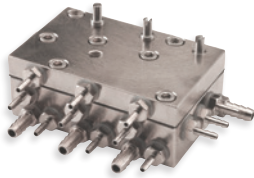
Pelton & Crane™ Style Executive Conversion Kit



PN 4446 Executive Conversion Kit

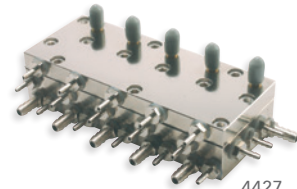
- Precision Comfort™ Premium Autoclavable Vacuum Valves include two 5112 HVEs & one 5222 SE
- Automatic control for three handpieces
- Individual flow control for water coolant to each handpiece
- Individual handpiece pressure adjustments
- Includes 8323 utility center
- Automatic handpiece holders w/ manual lockout toggle
- Variable speed disc-type foot control w/ wet/dry toggle
- Precision Comfort™ three-way syringe
- Dimensions: 12 1/2" x 18" x 4 1/2"
- 6 ft. Umbilical
- Specify tubing color & type

P&C / Marus® Style Handpiece Control Blocks



4421

- PN **4380** Twin-Block w/ Long Adjustment Screws
- PN **4382** Twin-Block w/ Std. Adjustment Screws
- PN **4421** Tri-Block
- PN **4425** Quad-Block
- PN **4427** Quin-Block
- PN **4381** Diaphragm, Twin-Block
- PN **4430** Diaphragm, Tri-Block
- PN **4433** Diaphragm, Quad-Block
- PN **4434** Diaphragm, Quin-Block
- PN **4432** Drive Air Adjusting Screw
- PN **4426** Mounting Bracket

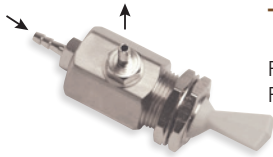


4427

- Consistent flow control for handpiece pressure adjustments
- Higher output due to improved airflow
- Longer lasting diaphragm
- No internal cross-over of air or water
- Block dimensions, 1 1/2" x 1 1/2" x 1" (4382)
- Block dimensions, 2 3/8" x 1 1/2" x 1" (4421)
- Block dimensions, 3 1/8" x 1 1/2" x 1" (4425)
- Block dimensions, 3 3/4" x 1 1/2" x 1" (4427)

These parts are manufactured by DCI to fit Pelton & Crane® and Marus® equipment. DCI has no affiliation with Pelton & Crane or Marus. DCI replacement parts are not manufactured under license or supervision of Pelton & Crane® or Marus®.



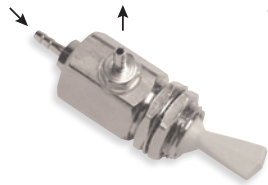


Toggle On / Off Valve "Hex Body" (Gray)

PN 7012 2-Way Valve

PN 7016 3-Way Valve

- Panel-mounting 15/32-32 thread w/ nut
- 2-way for air or water; 3-way for air only



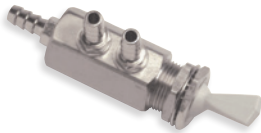
Toggle Momentary Valve "Hex Body" (Gray)

PN 7021 2-Way Valve Normally Closed

PN 7026 3-Way Valve Normally Closed

PN 7027 3-Way Valve Normally Open

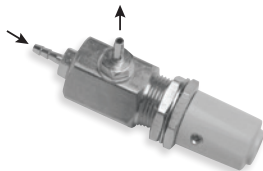
- Panel-mounting 15/32-32 thread w/ nut
- 2-way for air or water; 3-way for air only



Toggle Routing "Selector" Valve Hex Body (Gray)

PN 7001 Routing Valve

- Toggle on/off for routing 1 input & 2 output, or 2 input & 1 output
- Panel-mounting 15/32-32 thread w/ nut
- For air or water



Needle Valve "Hex Body" (Gray)

PN 7052 Needle Valve

PN 7069 Knob

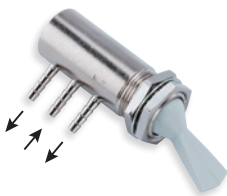
- Fine flow control adjustment for air or water
- Panel-mounting 15/32-32 thread w/ nut



Toggle On / Off Valve Side Port "Round Body" (Gray)

PN 7156 3-Way Valve

- Port barbs for 1/8" O.D. tubing
- 3-way for air only
- Panel-mounting 15/32-32 thread w/ nut



Toggle Routing "Selector" Valve Round Body (Gray)

PN 7151 Selector Valve

- Panel mounting 15/32-32 thread w/ nut
- Routes signal air
- Port barbs for 1/8" O.D. tubing
- Exhausting valve, for air only

These parts are manufactured by DCI to fit Pelton & Crane® and Marus® equipment. DCI has no affiliation with Pelton & Crane or Marus. DCI replacement parts are not manufactured under license or supervision of Pelton & Crane® or Marus®.

FEATURED

Water Relay & Flow Control Combo Valves



7139



7133

- PN **7139** Water Relay w/ Flow Control
- PN **7068** Water Relay, non-retracting
- PN **7302** Water Relay w/ Double Barb Swivel
- PN **7309** New Style, Repair Kit for 7139 Valve
- PN **7133** Old Style, Repair kit for 7130 Valve

- Non retraction type
- Combination pilot valve & needle valve
- 10-32 side ports
- Low Activation Pressure of 25 PSI
- Used on DCI Series 4 and Series 5 units
- Precision Flow Control



Toggle Momentary On / Off "Rear Ported"

GRAY | BLACK

7169 | **7168** 2-Way Valve

- Rear ported valve
- 2-way valve for air or water
- Panel-mounting 15/32-32 thread w/ nut



9275



9134

Cupidor / Cup Filler Time Delay Valve Assembly

- PN **9275** Time Delay Valve (P&C #043990)
- PN **9134** Time Delay, Relay Assy.

- Controls length of time bowl or cup fill is activated
- 1/4" Poly Inlet & Outlet



Junction Box Valve Kit

PN **9118** Junction Box Valve Kit Air & Water Shut

- Off w/ filter element
- 40 micron filter element
- Air pilot controlled
- Includes 3-way on / off toggle valve
- 3/8" compression inlet



Inline Check Valve

- PN **7140** Check Valve w/ Ball, 1/16" Barb
- PN **7141** Check Valve w/ Ball, 1/8" Barb

- For use w/ non water retraction
- 1/16" or 1/8" barbs
- Allows flow in 1 direction only

These parts are manufactured by DCI to fit Pelton & Crane® and Marus® equipment. DCI has no affiliation with Pelton & Crane or Marus. DCI replacement parts are not manufactured under license or supervision of Pelton & Crane® or Marus®.



Rectangular Pressure Gauge

PN **7270** Rectangular Air Gauge

- 0-60 PSI reading
- For air only
- 1/2" H x 1 3/4" W



Asepsis Handpiece Holder

PN **4869** Asepsis Holder, Gray, Normally Closed

PN **4568** Standard Asepsis Holder, Gray

PN **5983** Rear Port Micro Valve, Normally Closed

- Air operated actuator control
- Resists chemical discoloration
- Designed for 1/2" bar-mounting
- Adjustable tilt angle



Exhaust Muffler / Oil Collector

PN **7321** Muffler

- Can be mounted through frame for removal from outside control head
- Will handle up to four handpieces
- Minimum back pressure
- Compact size to fit inside control head
- Filter media is standard cotton swab material



Syringe Components

PN **3085** Syringe Button Cartridge

PN **3066** Syringe Repair Kit

- Fits standard style syringe



Foot Control Repair Kits

PN **6163** Foot Control Repair Kit

- Wet / Dry Disc Type



Solids Collector Screens

PN **5823** Collector Screen

PN **5822** Collector Screen (pkg of 100)

PN **6821** Pelton & Crane® Spirit Line Solids Collector (pkg of 144)

- For use w/ 1500 series units
- Pelton & Crane™ S1 & S2
- Sirona / Siemens C2, C3, C4, C6

These parts are manufactured by DCI to fit Pelton & Crane® and Marus® equipment. DCI has no affiliation with Pelton & Crane or Marus. DCI replacement parts are not manufactured under license or supervision of Pelton & Crane® or Marus®.



Marus Foot Style Control Repair Kit

PN 6166 Kit (Marus #85R186)

Kit includes:

- PN 6011 Large Spring
- PN 6018 Piston
- PN 2210 Piston O-Ring (pack of 12)
- PN 6012 Conical Spring
- PN 2207 Body O-Ring (pack of 12)
- PN 9010 Poppet
- PN 6016 Poppet Cap
- PN 6013 Toggle Spring
- PN 5948 Pilot Valve
- PN 9746 6 x 1/2 Pan Head Phillips Screw
- PN 6014 6-32 x 1/4 Pan Head Phillips Screw



Adjustable Cuspidor Hinge

PN 4152 Adjustable Cuspidor Hinge

- Fits DCI 6000 and older Belmont cuspidors



Foot Control Relay Repair Kit

PN 6165 Signal Relay Repair Kit



6132

Foot Control Toggle & Scaler Control Valves

PN 6132 Toggle Valve Assembly
PN 6094 3 Way Scaler Button Valve Assembly

- Wet / Dry control toggle

These parts are manufactured by DCI to fit Pelton & Crane® and Marus® equipment. DCI has no affiliation with Pelton & Crane or Marus. DCI replacement parts are not manufactured under license or supervision of Pelton & Crane® or Marus®.



Retail pricing
available at
dciparts.com

Light Parts & Bulbs



260-263

A-dec® Style Parts



264-265

Belmont® Style Parts



266

Marus/Ritter/MDT
Style Parts



267-271

Pelton & Crane® Parts



272-275

Replacement Bulbs



276

Light Posts
& Accessories

A-dec® is a registered trademark of A-dec, Inc. DCI has no affiliation with A-dec and A-dec has not authorized DCI replacement parts to be used on or in connection with A-dec® products.

FEATURED



Light Shield to fit A-dec® 6300

PN 9390 Light Shield Only (A-dec® #28.0503.01)

- Replacement for A-dec 500®/6300 halogen lights
- Coated for easier cleaning and protection

PN 9391 Nosepiece Only

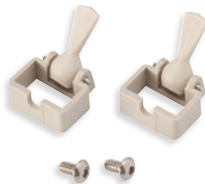
PN 9392 Light Shield w/Nosepiece (A-dec® #28.0503.02)



Bulb to fit A-dec® 6300

PN 9364 Bulb (A-dec® #041.709.00)

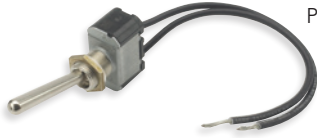
- 17 Volt / 95 watt
- Fits Cascade® "6300" lights
- Replaces older 24V 150W bulbs

Light Shield Bracket Assembly
to fit A-dec® 6300

PN 8619 Bracket Assembly, Surf (pkg of 2)
(A-dec® #28.1012.00)

A-dec®, Cascade® and A-dec 500® are registered trademarks of A-dec, Inc. These parts are manufactured by DCI to fit A-dec® equipment. DCI has no affiliation with A-dec and A-dec has not authorized DCI replacement parts to be used on or in connection with A-dec® products.

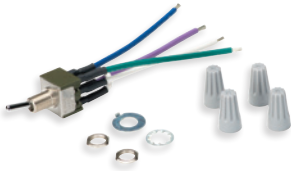
Power Switch to fit A-dec® Cascade® 6300



PN **8114** Power Switch

- SPST Switch
- 125 Volt rating, 6" leads

Intensity Switch to fit A-dec® Cascade® 6300



PN **2885** Intensity Switch (A-dec® #90.1043.00)

- 3 position - High/Med/Low
- 6 amp rating
- 125 VAC
- Factory Installed Wires

Circuit Breaker to fit A-dec® Cascade® 6300



PN **2888** Circuit Breaker (A-dec® #046.123.000)

PN **9304** Circuit Breaker Cascade® & Pre-Cascade® (A-dec® #28.0758.00)

- 10 amp
- Manual reset

Bulb to fit A-dec® Performer®



PN **8688** Performer® Bulb (A-dec® #041.513.00)

- H-3 Bulb Type, 12 Volt AC/55 watt

A-dec®, Cascade® and Performer® are registered trademarks of A-dec, Inc. These parts are manufactured by DCI to fit A-dec® equipment. DCI has no affiliation with A-dec and A-dec has not authorized DCI replacement parts to be used on or in connection with A-dec® products.



Replacement Light Cable Assy

PN **9576** Replacement A-dec® 571 Light Cable Assy 216"

- A-dec® #28.1838.00



Replacement Cable Kit for Light

PN **9581** Replacement A-dec® Performer® & Pre-Cascade® 6300 Cable Kit from Light Through Flexarm to Postbox

- A-dec® #90.1054.00



Replacement Upgrade Toggle Kit

PN **9582** Replacement Upgrade Toggle Kit A-dec® 371 Light Cable Ass

- A-dec® #90.1314.00



Replacement Cable Kit for Lights

PN **9583** Replacement A-dec® Cascade® 6300 Cable Kit for Lights Prior to April 1, 2004

- A-dec® #90.1053.00

A-dec®, Cascade®, Performer® and Perference® are registered trademarks of A-dec, Inc. These parts are manufactured by DCI to fit A-dec® equipment. DCI has no affiliation with A-dec and A-dec has not authorized DCI replacement parts to be used on or in connection with A-dec® products.



Replacement Ceiling Mount Cable Assy

PN 9575 Replacement A-dec® 6300 Ceiling Mount Cable Assy for Lights after April 1, 2004

- A-dec® #28.1587.00



Replacement Wall Mount Cable Assy

PN 9577 Replacement A-dec® 6300 Wall & Preference® Mount Cable Assy for Lights after April 1, 2004

- A-dec® #28.1585.00



Replacement Track Flexarm Cable Assy

PN 9578 Replacement A-dec® 6300 Track Flexarm Cable Assy for Lights after April 1, 2004

- A-dec® #28.1584.00



Replacement Post Mount Cable Assy

PN 9579 Replacement A-dec® 6300 Post Mount Cable Assy for Lights after April 1, 2004

- A-dec® #28.1586.00



Replacement Track & Trolley Cable Assy

PN 9580 Replacement A-dec® 6300 Track & Trolley Cable Assy for Lights after April 1, 2004

- A-dec® #28.1604.00

A-dec®, Cascade®, Performer® and Preference® are registered trademarks of A-dec, Inc. These parts are manufactured by DCI to fit A-dec® equipment. DCI has no affiliation with A-dec and A-dec has not authorized DCI replacement parts to be used on or in connection with A-dec® products.



Belmont X-Calibur Light Shield

PN **8631** Belmont X-Calibur Light Shield (Belmont #HLU 2005)

- Fits all rectangular shaped shields



8959

Belmont Light Shield

PN **8603** Belmont Light Shield (Belmont #8000 2005)

PN **8959** Clesta Light Shield

- Fits all oval shaped shields



Belmont Power Switch

PN **2886** Belmont Power Switch

- DPDT - 3 position
- 115 Volt AC / 10 amp

These parts are manufactured by DCI to fit Belmont® equipment. DCI has no affiliation with Belmont. DCI replacement parts are not manufactured under license or supervision of Belmont®.

Belmont Bulbs



PN **8688** Belmont X-Calibur Bulb (Belmont #8000 1006)

- H-3 Bulb Type
- 12 Volt AC / 55 watt



PN **8890** Belmont Clesta Light Bulb w/Black Tip (Belmont #501074)

- 24 Volt / 60 Watt Black Tip
- Fits all Belmont Clesta Lights (Belmont# 501074)



PN **9377** Belmont ECO Light Bulb w/Black Tip

- 12 Volt / 55 Watt Black Tip
- Fits all Belmont ECO Lights (Belmont# GO4CADN29AO)



TECH TIP

TRYING TO SOLVE A TOUGH TECHNICAL PROBLEM?

Visit the DCI Service Forum at www.dcionline.com or the DCI Video Library where you can collaborate with fellow technicians and find the answers to the most challenging dental repairs!

These parts are manufactured by DCI to fit Belmont® equipment. DCI has no affiliation with Belmont. DCI replacement parts are not manufactured under license or supervision of Belmont®.



Marus & Ritter® Lens Shield

PN **8602** Marus & Ritter® Lens Shield (Ritter #122845)

- Redesigned to include notches for the bulb housing



Marus & Ritter® Bulb

PN **8687** Marus & Ritter® Bulb (Ritter #121720, Marus #014R207)

- 24 Volt AC / 150 watt



Marus & Ritter® Light Socket

PN **2965** Marus & Ritter® Light Socket

- Fits all Marus & Ritter lights
- 17.5" factory installed wires



Marus & Ritter® Power Switch

PN **8699** Toggle Switch (Ritter #WO-34566)

- SPST Switch
- 125 Volt AC / 10 amp

These parts are manufactured by DCI to fit Marus & Ritter® and MDT equipment. DCI has no affiliation with Marus & Ritter or MDT. DCI replacement parts are not manufactured under license or supervision of Marus & Ritter® or MDT.



Pelton & Crane® LF I Lens Shield

PN **8600** LF I Shield (P&C #006777)



Pelton & Crane® LF I & LF + Bulb

PN **8683** LF I & LF + Bulb (P&C #3321879)

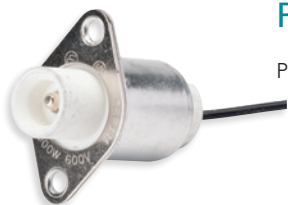
- 25 Volt AC / 150 watt



Pelton & Crane® LF I Switch

PN **8114** Pelton & Crane® LF I Switch (P&C #007096 & 3321853)

- SPST switch
- 125 Volt AC / 15 amp

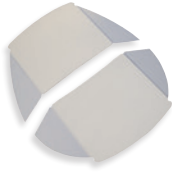


Pelton & Crane® LF I, LF II & LF III Light Socket

PN **8636** Pelton & Crane® Light Socket (P&C #3336992)

- Replacement lamp socket
- Improved contactor
- Stronger spring
- Improved wire connection

These parts are manufactured by DCI to fit Pelton & Crane® equipment. DCI has no affiliation with Pelton & Crane. DCI replacement parts are not manufactured under license or supervision of Pelton & Crane®.



Pelton & Crane® LF II Lens Shield

PN **8601** LF II Shield (P&C #3321598)



Pelton & Crane® LF II Bulb

PN **8683** Pelton & Crane® LF II Bulb (P&C #3321879)

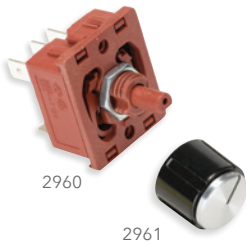
- 25 Volt AC / 150 watt



Pelton & Crane® LF II Switch

PN **8114** Pelton & Crane® LF II Switch (P&C #007096 & 3321853)

- SPST Switch
- 125 Volt AC / 15 amp



Pelton & Crane® LFII Dimmer Switch

PN **2966** Pelton & Crane® LFII Dimmer Switch w/ Knob

PN **2960** Pelton & Crane® LFII Dimmer Switch
(P&C ##3321820 & 013553)

PN **2961** Pelton & Crane® LFII Dimmer Switch Knob
(P&C #3322646/844845/015408)

- 125 Volt AC / 15 amp

These parts are manufactured by DCI to fit Pelton & Crane® equipment. DCI has no affiliation with Pelton & Crane. DCI replacement parts are not manufactured under license or supervision of Pelton & Crane®.



Pelton & Crane® LF II Reflector Bushing

PN **8700** Pivot Bushing (pkg of 2) (P&C #023940)

- For use on LF II Yoke & Frame Assembly
- Replaces existing worn bushings
- Slot for 5/8" wrench
- New high temperature material



Pelton & Crane® LF II Light Post Bushing

PN **8470** Pelton & Crane® Light Post Bushing

- Light Post Bushing
- 1 7/8" O.D. x 1 11/16" I.D. x 3" Long



Pelton & Crane® Gas Spring Adjusting Tool

PN **8697** Gas Spring Adjusting Tool (P&C #016749)

- For adjusting LF II light arm cylinder
- 5/16" Hex



Pelton & Crane® Socket Retractor

PN **9289** Pelton & Crane® Socket Retractor



Check out the DCI Video Library for how to use the P&C socket retractor!

These parts are manufactured by DCI to fit Pelton & Crane® equipment. DCI has no affiliation with Pelton & Crane. DCI replacement parts are not manufactured under license or supervision of Pelton & Crane®.

LF II Light Spring Assembly

The **LF II Light Spring Assembly** directly replaces Pelton & Crane® unit, track, and ceiling-mount light arm springs and features a more durable brake block.



2733 Detail

2733
Top View

FEATURED

LF II Light Spring Assembly

PN **2733** Unit Mount (P&C #9439738)

PN **2734** Track/Ceiling Mount (P&C #1532907)

- Replaces all unit, track or ceiling mount light arm springs
- Innovative durable brake block design
- Hardware & instructions included



Robust Brake Block Design

Machined Delrin
improves glide force
& maintains tension

Steel pins hold
brake block in place

**Heavy Duty
Steel Stops**



9584

Pelton & Crane® LF II Knuckle Supports

PN 9584 Pelton & Crane® Rear Knuckle Support (P&C #015806)



9572

PN 9572 Pelton & Crane® Front Knuckle (P&C #4191222)

- Machined Aluminum
- Includes: front knuckle support, 2 screws, pivot pin and installed bushing



Pelton & Crane® LF II Pivot Pin

PN 9570 Pelton & Crane® Pivot Pin (P&C #3322604) (pkg of 2)



Pelton & Crane® Drift Screw Kit

PN 9571 Pelton & Crane® Drift Screw Kit (P&C #006804)

These parts are manufactured by DCI to fit Pelton & Crane® equipment. DCI has no affiliation with Pelton & Crane. DCI replacement parts are not manufactured under license or supervision of Pelton & Crane®.



Replacement LED Handpiece Bulbs

PN **9372** Kavo LED Handpiece Bulb

- Requires 3.5 Volt DC
- Fits Kavo Turbines & Micro Motors



PN **9374** Bien-Air LED Handpiece Bulb

- Requires 3.5 Volt DC
- Fits Bien-Air Micro Motors



PN **9395** Universal Tubing LED Bulb 3.5v DC

- Fits DCI Universal ISO-C/ISO tubing, Midwest XGT, Stylus & Stylus ATC handpieces, and Beaverstate



PN **9360** Midwest Handpiece Bulb

- 3.5 Volt / 750 MA
- Fits Midwest XGT, Stylus & Stylus ATC handpieces (DENTSPLY® #790257)



PN **9361** A-dec® / W&H Handpiece Bulb

- 3.5 Volt / 750 MA
- Fits A-dec® / W&H handpieces 896, 898 & 898-LE
- (A-dec® #0.02207610)



PN **9362** Kavo Handpiece Bulb

- 3.3 Volt / 4 watt
- Kavo Lux coupler previous PN 553-3881
- Current Kavo #1002.2928
- Dabi Atlante



PN **9363** A-dec® Handpiece Bulb (A-dec® #041.317.00)

- 3.5v, 750 MA
- Fits A-dec® 5-hole handpiece tubing

A-dec® is a registered trademark of A-dec, Inc. These parts are manufactured by DCI to fit A-dec® equipment. DCI has no affiliation with A-dec and A-dec has not authorized DCI replacement parts to be used on or in connection with A-dec® products.

Replacement Bulbs



9364

PN **9364** 17 Volt / 95 watt, Cascade® Bulb (A-dec® #041.709.00)

- Fits A-dec® Cascade® "6300"/ Midmark® AAll/ Forest 9000 series/ LSM/ A-dec® previously used bulb PN 041.179.01, 24 Volt AC / 150 watt



8890

PN **8890** 24 Volt / 60 Watt Black Tip (Belmont# 501074)

- Fits all Belmont Clesta Lights



9377

PN **9377** 12 Volt / 55 Watt Black Tip (Belmont# GO4CADN29AO)

- Fits all Belmont ECO Lights



8688

PN **8688** 12 Volt / 55 Watt H-3 Bulb

- Fits A-dec® Performer® / Ampco Contender, Fiad / Healthco / SDS Fantastic Belmont / Celux / Chayes Virginia, DCI Equipment Pro 70 / Marus® Pro 72/ TPC L800/ SDS 1355



8687

PN **8687** 24 Volt AC / 150 Watt Bulb

- Fits DentalEZ® Distinction / Forest, Faro Cool Beam / Henry Schein Knight / Marus® / Old Forest / Porter Daystar, Ritter K / Vacudent

A-dec®, Cascade® and Performer® are registered trademarks of A-dec, Inc. These parts are manufactured by DCI to fit A-dec® equipment. DCI has no affiliation with A-dec and A-dec has not authorized DCI replacement parts to be used on or in connection with A-dec® products.

Replacement Bulbs



8696

PN **8696** 24 Volt AC / 150 Watt Bulb

- Fits Dentech® / Eurodent, Faro Sunlight 70 / J. Morita / Knight L LSM / Planmeca Delight / SDS 1350, Siemens A1/E1 Sirona/ DentalEZ® Simplicity 3801-797/ DentalEZ® Advantage & Axc



8683

PN **8683** 25 Volt AC / 150 Watt Bulb (P&C #3321879)

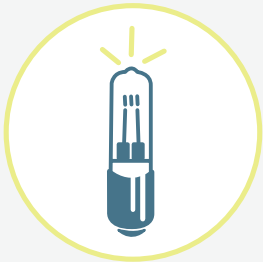
- Fits Pelton & Crane® LF+ / LF I / LF II / LF III



8684

PN **8684** 24 Volt AC / 100 Watt Bulb

- Fits DCI Equipment light/ Midmark 355 (002-0640-00)



Replacement Bulb Warranty

Bulbs are warranted to be free from manufacturing defect in material and workmanship at the time of installation in an electrical circuit having the correct characteristics. Bubbles in the quartz products are not defects and are not subject to warranty. Useful life of bulbs is not covered under warranty.

Fiber Optic & Curing Light Replacement Bulbs



8692
120 Volt AC /
250 watt

PN 8692

Fits:

- Chapman Huffman
- 60-575-00, 60-580-00,
60-585-00,60-590-00
- DENTSPLY® Triad 2000

- Kavo Vicon DLS, LS Illuminator,
Polar II
- Lares Quartz Fire SX
- Midwest Insight I and II, Tradition I
- Sci Can Dual Lux 2 Curing



8693
12 Volt AC /
75 watt (Flat Pins)

PN 8693

Fits:

- 3M Visilux I, Visilux II, XL3000
- Almore OP II
- Coltene Coltolux Curing Units II,
III and IV
- Darby Dental Superdent
2001, 2005
- Degussa Degulux
- Demetron Optilux 101, 400, 403
- Demetron VCL-100, VCL-200,
VCL-300

- First Medica Hilux 200
- Lares Apollo CP
- Lasac Tech LTI-5000
- Megadental Megalux
- Motloid Compolite 660
- Penn Med 300L and
310 Curing Guns
- Phasealloy Witelite Gun
- Unitek Ortholux, Ortholux XT
- Viva Dent Heliolux GT
- COE Lunar TA



8694
12 Volt AC /
100 watt

PN 8694

Fits:

- EFOS Lite
- Proden Executor
- Henry Schein

- Kinetic Instrument Sunspot
- S.S. White Profile Curing Lite
- Teledyne Getz Focus
- L.D. Caulk Prismetics Lite



9365
15 Volt AC /
150 watt

PN 9365

Fits:

- Air Tech VistaCam &
VistaCam Elite
- Bosworth Superlight, Fuji

- DentaCam 2 & 50
- Healthco VLC Illumination Wand
- Deller Fiberlight Deadlight



9368
12 Volt AC /
75 watt (Round Pins)

PN 9368

Fits:

- DENTSPLY®/Heathco Celebrity Perspective 1 & 2
- Integra ViperCam, Medtronics Dent03
- QuickCam DDS, Welsh Allyn Perspective 2



9370
12 Volt AC /
100 watt

PN 9370

Fits:

- Acu-Cam Polo, Dentech Ultima II

- Kavo Vicon LS & LSII
- Micro Motors LHS 710 Fiberoptic

FEATURED



53066

Light Shield

PN **53066** DCI Edge/Reliance Light Shield

- For DCI Edge/Reliance lights made January 2016 to present



8470



8476



8408

Light Post Accessories

PN **8470** Pelton & Crane™ Light Bushing

PN **8471** Ritter Light Bushing

PN **8476** Crush Bushing for Base of Post

PN **8472** Power Cord (8')

PN **8474** 2" White Post Cap

PN **8408** 2" Gray Post Cap

PN **8475** 2" Stainless Post Cap

- Nylon Bushing fits 2" Posts
- **8470:** 1 7/8" O.D. x 1 11/16" I.D. for P&C, A-dec®, Marus™, Belmont, Knight L, Midmark, TPC lights
- **8471:** 1 7/8" O.D. x 1 3/8" I.D. for Ritter K, Dental EZ, Proma, Daray, Faro, Forest lights



8431

Light Post Extensions

WHITE	GRAY	METAL	LENGTH
8921	8969	8431	24" Post w/ P&C Bushing
8922	8972	8432	24" Post w/ Ritter Bushing
8463	8986		30" Post w/ P&C Bushing
8464	8987		30" Post w/ Ritter Bushing
8466	8409	8465	Butterfly Clamp For 2" Post

- Kit includes light post bushing, "Butterfly" clamp, 8' extension cord & post
- 24" or 30" post length
- Scratch resistant powder coat finish



Light Posts

WHITE	GRAY	METAL	LENGTH
8912	8939	8478	24" Post
8421	8940	8218	30" Post
8913	8945	8454	40" Post
8449	8949	8453	48" Post
8914	8952	8450	60" Post
8474	8408	8475	Post Cap

- 2" Diameter posts
- Post painted w/ a scratch resistant powder coat finish

A-dec® is a registered trademark of A-dec, Inc. These parts are manufactured by DCI to fit A-dec® equipment. DCI has no affiliation with A-dec and A-dec has not authorized DCI replacement parts to be used on or in connection with A-dec® products.



Retail pricing
available at
dciparts.com

Chair & Stool Parts



278-279

Chair Accessories



280-282

Stool Parts



283-284

A-dec®



285

DentalEZ®



286

Pelton & Crane®



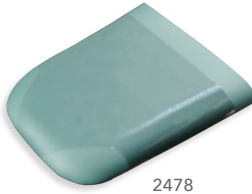
287-288

Chair Adapters

Chair & Stool Parts

A-dec® is a registered trademark of A-dec, Inc. DCI has no affiliation with A-dec and A-dec has not authorized DCI replacement parts to be used on or in connection with A-dec® products.

FEATURED



2478

Toeboard Covers

Comes with all necessary attachment materials

- PN **2478** MDT Champagne 1000
- PN **2801** Healthco Celebrity
- PN **2802** Belmont Bel 10
- PN **2803** Marus® DC1690 & DC1535
- PN **2804** Royal Model 16
- PN **2807** Pelton & Crane® Coachman I & II
- PN **2808** Pelton & Crane® Chairman
- PN **2809** Pelton & Crane® Chairman 5000
- PN **2980** Pelton & Crane® Spirit 3000

Toeboard Covers to fit A-dec® Chairs

Comes with all necessary attachment materials

- PN **2806** Cover to fit A-dec® Cascade® 1040 Seamless, Decade 1011/1021/1221, Performer I & II (61-1679-00)
- PN **2954** Cover to fit A-dec® 511 Seamless (A-dec® #62.0156.00)
- PN **2955** Cover to fit A-dec® 311 Seamless (A-dec® #62.0676.00)
- PN **2956** Cover to fit A-dec® 511 Sewn (A-dec® #62.0184.00)
- PN **2957** Cover to fit A-dec® 311 Sewn (A-dec® #62.0685.00)
- PN **2958** Cover to fit A-dec® 1040 Sewn & Performer® III (A-dec® #61.2619.00)



2954



2955



2956



2957



2958

A-dec®, Decade®, Cascade® and Performer® are registered trademarks of A-dec, Inc. These parts are manufactured by DCI to fit A-dec® equipment. DCI has no affiliation with A-dec and A-dec has not authorized DCI replacement parts to be used on or in connection with A-dec® products.



DCI Edge Foot Switches

PN **51770** Foot Switch Assembly, Series 4, Models C5550 & C4550

PN **51979** Foot Switch Assembly, Series 5,
Model C5052 (prior to March 2019)

FEATURED



9568

Pelton & Crane and Marus Footswitch Assembly

PN **9568** Replacement footswitch for Pelton & Crane and Marus System

FEATURED



9567

9569

Pelton & Crane and Marus Touchpad Assembly

LEFT	RIGHT
9567	9569

Replacement touchpad for Pelton & Crane and Marus System

Compatible with:

Pelton & Crane Spirit 3000, 2000, 1800, 1700, 1500 series chairs

Marus 1300, 1400, 1500, 1600, 1700 (NuStar) series chairs

* 9567 and 9569 do not fit Pelton & Crane Spirit 3000 series chair

Marus Foot Switch Rebuild Kit



PN **2761** Marus Foot Switch Rebuild Kit
(Marus #85R233)

Kit includes:

- 3/8" Nylon Balls, 2 ea.
- 1/4" Nylon Balls, 4 ea.
- Micro Switches, 6 ea.
- 1/8" x 1/2" Stainless Pins, 4 ea.
- Cover Plate Assy, 1 ea.
- Switch with Pin Assy, 2 ea.
- Activator Springs, 2 ea.
- Activator Pin Bushings, 4 ea.
- Foot Switch Insulator, 1 ea.



Hydraulic Oil

PN **2691** Hydraulic Oil

- 10 wt Hydraulic Oil
- For use on all Hydraulic Chairs
- 1 Pint
- Non-Foaming

Cart & Stool Casters

Our Cart & Stool Casters are replacements for most dental stools. Offered in gray and surf to match existing casters.



54108

FEATURED



Cart & Stool Casters

- PN **2946** Soft wheel for hard floor caster, Gray
- PN **2972** Soft wheel for hard floor caster, Gray (pkg of 5)
- PN **2948** Soft wheel for hard floor caster, Surf
- PN **2973** Soft wheel for hard floor caster, Surf (pkg of 5)
- PN **8010** Hard wheel for carpet, Gray
- PN **8002** Cart Caster Insert
- PN **54108** Hard Floor Caster, PU Tread, Taupe (DCI Edge/Reliance)





**Replacement For Most
Dental Stools**

Casters fit DCI Stools and several manufacturer lines of dental stools.



**Available In Two Popular
Manufacturers Colors**

Match existing casters with a choice of gray or surf.



Soft Wheels For Hard Floor

Most DCI's Cart & Stool Casters are made to roll smoothly on hard floors.



TECH TIP

**LOOKING FOR STOOLS TO
PAIR WITH YOUR CASTERS?**

Refer to our Reliance tab on page 12 in the catalog for more information on the types of stools that we offer.





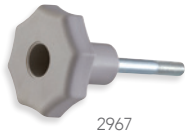
Stool Cylinders

- PN 2952** Assistant Stool Cylinder, 50mm Dia.
(P&C #047039, Marus #30509)
- 22.5" Fully Extended, 7.5" Travel
 - For use on Pelton & Crane® Model 2004 & Marus Models DC5130 & DC5030
- PN 2953** Doctor Stool Cylinder, 50mm Dia.
(P&C #047038, Marus #30510)
- 17" Fully Extended, 5.5" Travel
 - For use on Pelton & Crane Model 2003 & Marus Models DC5140 & DC5040
- PN 2962** Assistant Stool Cylinder, 45mm Dia.
(P&C #041772, Marus #75R089, A-dec® #65.0208.00)
- 22.5" Fully Extended, 7.5" Travel
- PN 2963** A-dec® Assistant Stool Cylinder, 45mm Dia.
(A-dec #65.0209.00)
- 22.5" Fully Extended, 7.5" Travel
- PN 2964** Doctor Stool Cylinder, 45mm Dia.
(A-dec® #65.0227.00, P&C # 041789, Marus 75R088)
- 17" Fully Extended, 5.5" Travel
- PN 54115** Assistant's Stool Gas Cylinder, 200mm (DCI Edge/Reliance)
- PN 54106** Doctor's Stool Gas Cylinder, 140mm (DCI Edge/Reliance)
- PN 54117** Stool Gas Cylinder, 100mm (DCI Edge/Reliance)



See our **Stool Cylinder Guide** at www.dcionline.com

FEATURED



Backrest Knobs

- PN 2967** Backrest Knob, Surf (A-dec® #027.074.00)
- PN 2968** Backrest Knob, Gray
- For Newer Pelton & Crane®, Marus, & A-dec®
- PN 54628** Assistant's Stool Arm Swing Support Replacement Knob (DCI Edge/Reliance)
- PN 54627** Dr's Stool Backrest Adjustment Replacement Knob (DCI Edge/Reliance)
- PN 54626** Dr's Stool Backrest Adjustment Replacement Bolt (DCI Edge/Reliance)



TECH TIP

Measure the largest diameter of the Stool Cylinder to confirm if it's 45 or 50mm before ordering!

A-dec® is a registered trademark of A-dec, Inc. These parts are manufactured by DCI to fit A-dec® equipment. DCI has no affiliation with A-dec and A-dec has not authorized DCI replacement parts to be used on or in connection with A-dec® products.



Easy Online Ordering



Rocker Switch to fit A-dec® Multi-Function Foot Switch

PN **2810** Rocker Switch (A-dec® #041.119.00)

- For Multi-Function Switch 10A, 125/250 VAC

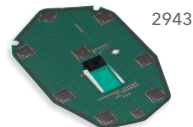


Push-Button Switch to fit A-dec® Multi-Function Foot Switch

PN **9260** Push-Button Switch (A-dec® #041.059.00)

- For Auto Return & Pre-Positioning Functions: SPST 5A, 24 VAC

FEATURED



2943

Membrane to fit A-dec® Foot Switch

PN **9588** Foot Switch Assembly (Includes 2943 Membrane)

PN **2943** Membrane (A-dec® #61.3048.00)

- Fits on A-dec® Performer®, 1021, 1040, 311 & 511 Series Chairs



9588

PN **9589** Foot Switch Cover Only

(Includes 6 Screws, A-dec® 61.3049.00)



Cable Assembly to fit A-dec® Foot Switch

PN **9587** Cable Assembly (A-dec® #62.0186.00)

- Fits on A-dec® Performer®, 1021, 1040, 311 & 511 Series Chairs

A-dec®, and Performer® are registered trademarks of A-dec, Inc. These parts are manufactured by DCI to fit A-dec® equipment. DCI has no affiliation with A-dec®. DCI replacement parts are not manufactured under license or supervision of A-dec®.



Capacitor to fit A-dec® Chairs

PN 9245 Capacitor w/ Boot for 100 Volt, 115 Volt or 240 Volt (A-dec® #90.1031.00)

- Fits Cascade®, Decade®, Positioner, Priority & Performer® III chairs manufactured before 2/2001
- MF-UF 50 +/- 10%

Limit Switches to fit A-dec® Chairs



PN 9240 Chair Limit Switch (A-dec® #044.184.01)

- Base function: Cascade® 1040, Decade® 1021/1020, 1010/1011, Priority 1005, Performer® III
- Back function: Priority 1005
- Stop function: Decade® 1020/1021, Priority 1005



PN 9242 Chair Limit Switch (A-dec® #61.2065.00)

- Back function: Cascade® 1040



PN 9244 Chair Limit Switch (A-dec® #044.183.00)

- Chair stop function: Cascade® 1040, Decade® 1021 "after 6-1998", Performer® I & II

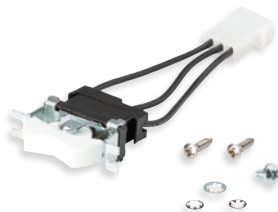
Limit Switch

PN 2794 Limit Switch



- "Cherry" Limit Switch
- 125/250 volt AC 6/3 amp
- Used on P&C Chairman, P&C Coachman, DentalEZ®, Chayes Virginia and A-dec® chairs
- Spade Terminal Connections
- Base up/down Performer® 1 & 2
- Back up function Decade® 1020/1021, 1010/1011, Performer® 3

A-dec®, Performer®, Decade® and Cascade® are registered trademarks of A-dec, Inc. These parts are manufactured by DCI to fit A-dec® equipment. DCI has no affiliation with A-dec and A-dec has not authorized DCI replacement parts to be used on or in connection with A-dec® products.



DentalEZ® Chair Momentary Switch Kit

PN 2928 On-Off-On Three Position Switch (DentalEZ® #3800-100)

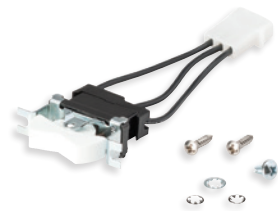
- On/Off/On Momentary
- Kit includes Switch, Push Nuts (Qty 10), #6 x 5/8" Screws (Qty 2)
- PL200, J & V Series



DentalEZ® Chair Maintained Switch Kit

PN 2930 Switch Replacement Kit (DentalEZ® #3800-148)

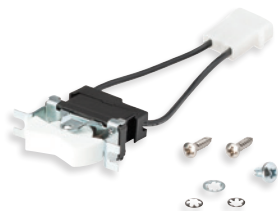
- On/Off/On Momentary
- Kit includes Auto Position Switch, Tinnerman Nuts (Qty 4), #8 Lock Washer, 8-32 x 1/4" Cut Screw, #6 x 5/8" Sheet Metal Screws (Qty 2)
- PL200, J & V Series
- For Seat Tilt



DentalEZ® Chair Momentary Switch Kit

PN 2929 Momentary Switch Replacement Kit (DentalEZ® #3800-101)

- On/Off/On Momentary
- Textured rocker switch
- Kit includes Momentary Switch, Qty 4 Tinnerman Nuts, #8 Lock Washer, 8-32 x 1/4" Cut Screw, #6 x 5/8" Sheet Metal Screws (Qty 2)
- PL200, J & V Series
- For Auto Position / Return



DentalEZ® Chair Switch Kit

PN 2931 Chair Switch Kit (DentalEZ® #3800-579)

- On/Off Maintained
- Kit includes on/off switch, Qty 4 Tinnerman Nuts, #8 Lock Washer, 8-32 x 1/4" Cut Screw, #6 x 5/8" Sheet Metal Screws (Qty 2)
- JSR / VSR chair top



DentalEZ® J Chair Arm Pivot Stop

PN 2799 Arm Pivot Stop (pkg of 2) (DentalEZ® #3800-112)

- Slotted on both ends for easy removal
- 5/16" - 24

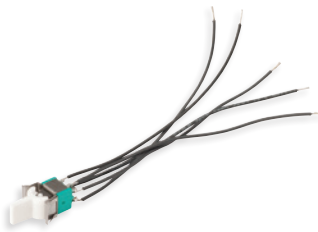
These parts are manufactured by DCI to fit DentalEZ equipment. DCI has no affiliation with DentalEZ. DCI replacement parts are not manufactured under license or supervision of DentalEZ.



Pelton & Crane™ Potentiometer

PN 9258 Potentiometer

- P&C & Marus #015R017, Spirit chairs & Marus hydraulic chairs
- 5 ohm +/- 20%



Pelton & Crane® Chairman Chair Switch

PN 9247 Back Recline Switch (P&C #007428)

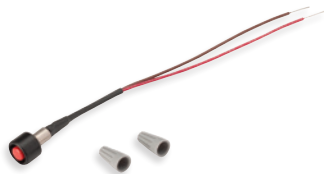
- White toggle
- Momentary



Pelton & Crane® Chairman Chair Switch

PN 9248 Base Lift Switch (P&C #007427)

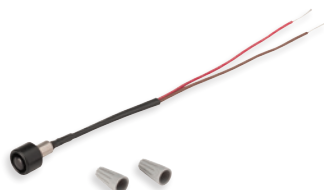
- Black toggle
- Can also be used for Traverse Switch
- Momentary



Pelton & Crane® Chairman Chair Auto Position Switch

PN 9249 Pre Position Switch (P&C #007898)

- Red push button
- Wires already attached



Pelton & Crane® Chairman Chair Auto Return Switch

PN 9254 Auto Return Switch (P&C #007899)

- Black push button
- Wires already attached

These parts are manufactured by DCI to fit Pelton & Crane® equipment. DCI has no affiliation with Pelton & Crane. DCI replacement parts are not manufactured under license or supervision of Pelton & Crane®.



Chair Adapters to fit:



PN **8522** A-dec® Cascade® 1040



PN **8515** A-dec® Priority 1005 & 1010



PN **8500** A-dec® Decade® 1020, 1021, 1221 and 1015



PN **8538** A-dec 500®



PN **8493*** Belmont Bel 07-50 Celib-Pro-Xcal, Westar 2001, Westar 5000, LSM DC-100, LSM C0H0



PN **8917** Belmont Acutrac, B99, Clesta



PN **8552** DentalEZ® E3000

- Chair adapters feature a scratch resistant light gray powder coat finish.

* White scratch resistant powder coat finish

A-dec®, Cascade®, Decade® and A-dec 500® are registered trademarks of A-dec, Inc. These parts are manufactured by DCI to fit A-dec® equipment. DCI has no affiliation with A-dec and A-dec has not authorized DCI replacement parts to be used on or in connection with A-dec® products.

FEATURED

Chair Adapters to fit:



PN **8919** DentalEZ® Advantage E2000



PN **8506** DentalEZ® J, PL200



PN **8920** Chair Adapter Forest 6000 Assy



PN **8561** Marus™ Pro 1300-1600, DCI Equipment, Pelton & Crane 1700



PN **8497** Royal



PN **8918** Pelton & Crane™ Spirit 1500, 1800, 2005, 330, 3000, SP30, Marus™ / Schein Empire



PN **8568** Pelton & Crane™ Coachman, Chairman 5000



PN **8488** 2" Hub



PN **8438** 8" Floor mount for 2" post



- Chair adapters feature a scratch resistant light gray powder coat finish.

A-dec® is a registered trademark of A-dec, Inc. These parts are manufactured by DCI to fit A-dec® equipment. DCI has no affiliation with A-dec and A-dec has not authorized DCI replacement parts to be used on or in connection with A-dec® products.





Retail pricing
available at
dciparts.com

Compressor & Vacuum Parts



290-292

Mechanical Room
Accessories



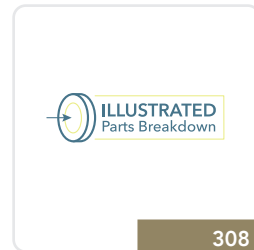
293-303

Compressor
Parts



304-307

Vacuum Parts



308

Illustrated Parts
Breakdown

Compressor &
Vacuum Parts

Water Security Systems

The new Water Security Systems come in 3/4" and 1" sizes, including replaceable water filters, a control panel shut-off, and durable pex pipes.



2396

FEATURED

Water Security Systems

PN **2396** 3/4" System, PEX, w/ Filter & 24 Volt Relay

PN **2395** 1" System w/ Filter & 24 Volt Relay

- Filters incoming water supply & shuts off water from control panel
- Remote shut off of all water supply to dental equipment to prevent accidental water damage
- Allows servicing without disruption to the dental practice
- 20 Micron Filter
- 4BA72 Housing Wrench used for W1100 can be purchased from Granger to aid in Housing removal
- 4BA73 Housing Wrench used for W2100 can be purchased from Granger to aid in Housing removal



Replaceable Water Filter

Filters can be easily swapped out by simply screwing or unscrewing the bottle from the cap.



Control Panel Shut-Off

Remotely shut off water to the office when closed.



Durable Pex Pipes

The pex pipes filter the water and increase the longevity of the delivery unit.

FEATURED



2051



2076



2075

Water Security Replacement Parts

PN 2051 Water Filter 2 1/2" x 10" (pkg of 2)

PN 2076 Water Filter 4 1/2" x 10" (pkg of 2)

PN 2302 Flat Gasket For Filter Housing 3/4"

PN 2303 Flat Gasket For Filter Housing 1", 1 1/4", 1 1/2"

PN 2050 Filter Housing 3/4" FPT

PN 2073 Filter Housing 1" FPT

PN 2052 115V Solenoid 3/4"

PN 2030 Low Voltage Control Box, 115/230 Input 24 VAC

PN 2075 115V Solenoid 1"



2970

Buck & Boost Transformers

PN **2969** Single Phase 3500 VA Buck & Boost Transformer

PN **2970** Single Phase 5000 VA Buck & Boost Transformer

PN **2971** Single Phase 7500 VA Buck & Boost Transformer

- UL & CSA Approved
- Front accessible separate High and Low voltage leads



2030



2862

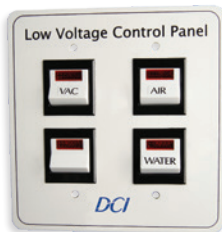
Low Voltage Control Box

PN **2030** Low Voltage Control Box, 115/230 Input

PN **2862** Fuse Holder



Contact Customer Service
for replacement parts.



Control Panels

LED BULBS NOW
COME STANDARD



PN **2900** Single Switch Panel / Expandable to 4

PN **2901** Dual Switch Panel / Expandable to 4

PN **2902** Triple Switch Panel / Expandable to 4

PN **2904** Quad Switch Panel

PN **2723** Remote 24 Volt Red LED Light Switch

- Fits standard 2 gang electrical box
- Includes custom labeling kit
- 24 Volt lighted LED rocker switches



2487

Copeland Capacitor / Relay Controls

PN **2509** 1 HP 115 Volt (MDT # 3-08-0233-07)
PN **2487** 1 HP 230 Volt (MDT #3-08-0234-07)

- Original Copeland component
- Prewired & tested
- 115 or 230 Volt AC



2606

Copeland Start / Run Capacitors

PN **2420** Start Capacitor 3/4 & 1 HP 230 Volt (MDT #3-08-0219-10)
PN **2606** Start Capacitor 1 HP 115 Volt (MDT #3-08-0218-10)
PN **2702** Run Capacitor 1 HP 115 Volt (MDT #3-08-0223-10)
PN **2703** Run Capacitor 1 HP 230 Volt (MDT #3-08-0224-10)

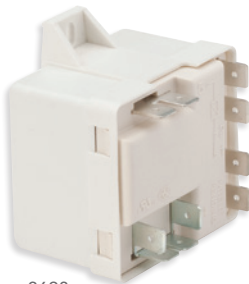
- Original Copeland component
- 115 or 230 Volt AC
- 3/4 or 1 HP



Copeland Thermal Protector

PN **2694** 3/4 HP 230 Volt (MDT #3-08-0231-10)
PN **2566** 1 HP 230 Volt (MDT #3-08-0229-10)

- Original Copeland component
- 3/4 or 1 HP



2698

Compressor Relay Assembly

PN **2699** 1 HP Relay Assembly, 115 VAC (MDT #3-08-0213-00)
PN **2419** 1 HP Relay Assembly, 208-230 VAC (MDT #3-08-0214-10)

- Original Copeland components
- Available in 115 or 208-230 VAC



Lubricated Compressor Head Repair Kits

PN **2619** Head Gasket (MDT #3-08-0243-10)
 PN **2711** Valve Plate Kit (MDT #3-08-0278-10)

- Original Copeland components
- 3/4 or 1 HP



Copeland Sight Glass Kit

PN **2649** Sight Glass Kit
 PN **2414** Sight Glass Only (MDT #3-08-0092-10)
 PN **2633** Sight Glass Tool (MDT #301789)

- Original Copeland component
- Requires DCI tool 2633
- Replaces damaged sight glass



Copeland Intake Filter

PN **2545** Filter Assembly
 PN **2423** Element Only

- Filters intake air to 40 microns
- Extends service life of compressor
- Reduces noise
- 1/2" ID Intake Tubing



Copeland Oil Filler / Breather

PN **2540** Breather Filter (MDT #301876)

- Vents crankcase
- Reduces crankcase oil foaming



Cooling Fan Assembly

PN **2696** 115 Volt Fan (MDT #3-08-0578-10)
 PN **2422** 230 Volt Fan (MDT #3-08-0563-10)
 PN **2697** Finger Guard (MDT #3-08-0399-10)

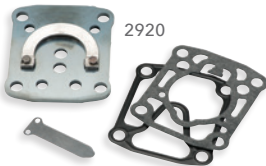
- Cools compressor heads
- 105 cfm
- Cools sound covers



P Series Portable Lubricated Air Compressor

PN P050 1 User / 1/2 HP / Single Head / .93 Gal Tank / 115 Vac

- 115 Volt - 50-60 Hertz
- Quiet operation
- 2.1 CFM
- Relief Valve Rated at 145 PSI
- Only 44 lbs
- Compact size 11" x 11" x 11 7/8"
- 6 month warranty



Jun-Air & Panther Compressor Parts

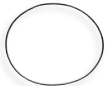
PN 2920 Valve Plate

PN 2921 Case Cover O-Ring Seal

PN 2813 Intake Filter (Jun-Air 541200)

PN 7242 Coalescing Filter 40 Micron

- For repairing Jun-Air & Werther compressors



2921



2813



7242



Jun-Air Synthetic Lubricated Compressor Oil

PN 2945 Synthetic Lubricated Compressor Oil,
24 oz (Jun-Air # SJ-27)

- 20 wt



Non-Synthetic Lubricated Compressor Oil

PN 2485 16 oz. Bottle

PN 2647 Case of 6

- 20w non-detergent (non-synthetic)
- High grade lubricating oil
- High dielectric properties

2485



2012



2170

Oil-less Head Intake Filter Element

PN **2170** Intake Filter w/ Housing, 1/4 MPT

PN **2012** Oil-less Head Intake Filter Element, 2"

- 5 Micron element
- Fits DCI & Tech West compressors
- Extends coalescing filter life



Oil-less Head Intake Filter Element

PN **2947** Oil-less Head Intake Filter Element, 3"

- 2 Micron Paper Filter
- 3" OD x 1.38" tall
- Fits Tech West Oil-less Compressor models
ACO4S2, ACO4S2ND, ACO8D2, ACO8D2ND



2867

Discharge Hoses

PN **2868** 13" Hose

PN **2869** 16" Hose

PN **2870** 20" Hose

- Braided stainless steel construction
- 200 PSI rating
- 1/4" MPT x #6 SAE Female swivel (3/8" Flair)
- Fits DCI / Air Tech / others



2003



2925

DCI Coalescing Filter

PN **2003** Coalescing Filter
PN **2925** Check Valve

- Teflon coated interior
- FDA approved high efficiency
- 0.01 micron rating
- 1/4" NPT
- Fits DCI compressors
- Not compatible to compressors with sound covers



DCI Coalescing Filter Indicator

PN **2008** Coalescing Filter Indicator

- Informs user of clogged element
- Changes from green to red
- Includes O-Ring
- Use a 15/16" wrench for removal



DCI Coalescing Filter Element

PN **2006** Coalescing Filter Element

- High particle holding capacity
- 0.01 micron rating
- FDA approved for high purity applications



Parker Coalescing Filter Element

PN **2692** Replacement Element

- Fits newer Tech West & older MDT compressors
- 0.01 micron rating
- Fits in older DCI 2401 Coalescing Filter 10oz



Coalescing Filter to fit DentalEZ®

PN 2935 Coalescing Filter to fit DentalEZ® (DentalEZ® #JA081602)

- For DentalEZ® current 10 series compressors



Intake Filter to fit DentalEZ®

PN 2932 Intake Filter to fit DentalEZ® (DentalEZ® #5412210)

- For DentalEZ® 700 & 800 series prior to serial #440537



Carbon Filter to fit DentalEZ®

PN 2821 Carbon Filter to fit DentalEZ® (DentalEZ® #JA4080500)

- For DentalEZ® 700 series lubricated compressors
- For JUN-AIR lubricated compressors
- Combo filter



2421



2424

MDT Quick Exhaust Purge Valves

PN 2421 Quick Exhaust Valve (MDT #3-08-0308-10)

PN 2424 Exhaust Muffler 1/4" (MDT #3-08-0942-10)

- Use w/ MDT style drying chambers
- Used to purge drying chamber
- 1/4" NPT



2501



2923

Desiccant Chambers

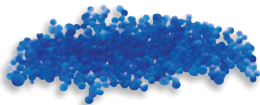
PN **2501** MDT Chamber w/o Window

PN **2400** Blue Recharge Kit For 2541, Single Tank

PN **2481** Brown Recharge Kit For 2501, Single Tank

PN **2923** Nipple w/ Filter 3/8" x 2" w/ .015 wire mesh
(used in 2014 chamber)

- MDT chamber includes silica gel desiccant
- Removes moisture from air



2950



2951

Desiccant

PN **2950** Blue Silica Gel Desiccant

PN **2951** Brown Silica Gel Desiccant

PN **2016** White Molecular Sieve Desiccant

- Sold in 1 lb bags



Air Techniques Drying Chamber Purge Valve

PN **2940** Purge Solenoid Valve, 230 Volt (Air Techniques #85946)

- 1/4" NPT normally open
- Includes conduit
- 9.5 Watts
- 150 PSI
- 3/32 Orifice



Time Operated Purge Valve

PN **2848** 115 Volt

PN **2011** 230 Volt

PN **2166** Solenoid Repair Kit

- Normally closed valve
- Adjustable interval & duration
- Replaces DCI C series & DentalEZ®
- 6 ft. power cable
- 1/4" FPT



2417



2005

Pressure Switches

PN **2417** Unloading for MDT, Apollo/Midmark (ECS10445), Compressors

PN **2005** Non-unloading for DCI, Tech West PSC-3 Compressors

PN **2489** Pressure Switch, Unloading for Dual & Triple Head Compressors

- Starts and stops compressor motors
- 1/4" FPT



2826



2856

Pressure Gauges

PN **2826** Economy

PN **2856** Liquid Filled

- 2" dial face
- 0-160 PSI
- 1/4" Center back connection

Check Valves



2135



2502

- PN **2135** Stainless Check Valve 1/4" Male x Female
 PN **2502** 3/8" FPT w/ Internal Bleed, 15 or 30 Gallon Tank
 PN **2572** 3/8" FPT w/ Internal Bleed, 5 Gallon Tank
 PN **2550** 3/8" FPT w/o Internal Bleed

- Allows flow in one direction only

FEATURED



2513

Relief Valve

- PN **2513** Relief Valve 125 PSI
 PN **2013** Relief Valve 165 PSI

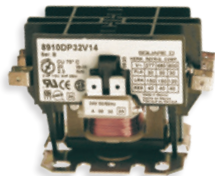
- ASME certified
- 1/4" MPT

Compressor Hook-up Hose



- PN **2857** Hook-up Hose

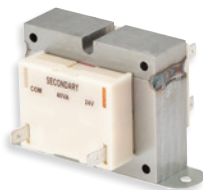
- 6 ft. flexible hose
- 250 PSI rated
- 3/8" MPT x 1/2" MPT



24 Volt Contactor

PN 2858 Contactor

- 24 Volt AC coil
- 30 amp / 1.5 hp rating
- Double pole contacts
- Fits most low voltage controls



Control Transformer

PN 2846 Transformer 115/230 x 24 VAC

- Used in low voltage control systems
- Amperage rating 40 VA
- Transforms 115V, 208V, 230V to 24 VAC



Vacuum Breaker

PN 2833 1/4" NPT
 PN 2834 3/8" NPT (DentalEZ 64622011)
 PN 2941 Vacuum Breaker Repair Kit for 1/4" & 3/8" NPT
 PN 2835 1/2" NPT
 PN 2942 Vacuum Breaker Repair Kit for 1/2" FPT

- Anti-siphon valve
- For use on all liquid ring pumps
- Chrome plated brass version



Brass Swing Check Valve

PN **2676** 3/4" NPT
PN **2839** 1" NPT

- Used on dual vacuum pumps
- Prevents vacuum loss while running one pump

2676



Water Flow Controls

PN **2841** 0.13 GPM
PN **2842** 0.19 GPM
PN **2843** 0.25 GPM
PN **2844** 0.5 GPM
PN **2845** 1.0 GPM

- Original OEM valve
- 3/8" NPT
- Nickel plated brass
- Multiple flow rates
- For use on all liquid ring pumps

2841



Inline Strainer

PN **2837** 3/4" NPT
PN **2838** 1" NPT (DentalEZ 64501940)
PN **2028** 1 1/2" NPT

- For use on all vacuum systems
- 3/4" / 1" / 1 1/2" NPT

2838



2149



2148



2677

Inline Strainer Components

PN **2677** 1 1/2" x 3 11/16" Long Strainer Screen, for 3/4" strainer

PN **2678** 2 1/4" x 4 7/32" Long Strainer Screen, for 1" strainer

PN **2054** 2 1/2" x 5 1/2" Long Strainer Screen, for 1.5" strainer

PN **2149** Bowl for 3/4" Inline Strainer

PN **2567** Bowl for 1" & 1 1/2" Inline Strainer

PN **2148** Gasket for 3/4" Inline Strainer Bowl

PN **2096** Gasket for 1" & 1 1/2" Inline Strainer Bowl



Vacuum Gauge

PN **7268** Vacuum Gauge

- 1/4" NPT Bottom connection
- 0-30" hg



704

Vacuum Tubing

PN **704** 3/4" I.D. Hose (per ft.)

PN **705** 1" I.D. Hose (per ft.)

PN **707** 1 1/2" I.D. Hose (per ft.)

PN **709** 2" I.D. Hose (per ft.)

- For connection from pump to building plumbing
- Rated to 29" hg
- Provides flexible connection
- Order clamps separately



9350

Stainless Steel Hose Clamps

- PN **9350** Stainless Steel Hose Clamps 3/8" - 7/8" (pkg of 10)
- PN **9351** Stainless Steel Hose Clamps 1/2" - 1 1/4" (pkg of 10)



0858

0850

Garden Hose Connector

- PN **0858** Barb Connector
- PN **0850** Washer (pkg of 10)

- 3/4" male barb x garden hose female
- For use on suction & drain
- Includes sealing washer



5835

Vacuum Line Cleaner

- PN **5835** Pint Bottle
- PN **5836** Case of 12 Pints
- PN **5837** 1/2 Gallon Bottle

- Continuous cleaning action
- Environmentally safe
- NON foaming
- Contains NO hazardous materials
- 1/2 Gallon provides 128 uses
- Cleans vacuum systems & eliminates odors associated w/ organic waste



2155

Vacuum Pump Oil for use with RAMVAC®

- PN **2155** Vacuum Pump Oil, 1 Quart
- PN **2156** Vacuum Pump Oil, 1 Quart - Case of 6

- Mobil oil 1 - 15W50, fully synthetic



2879

V Type Drive Belts to fit RAMVAC® Bison

- PN **2879** 002163, Bison 3 & 9
- PN **2880** 002164, Bison 5
- PN **2881** 002360, Bison 7

- V-type belts
- Fits Bison vacuums
- Exact OEM replacement

These parts are manufactured by DCI to fit RAMVAC equipment. DCI has no affiliation with RAMVAC. DCI replacement parts are not manufactured under license or supervision of RAMVAC.



2874

Cogged-Type Belts to fit RAMVAC® Bulldog

- PN **2874** OO2035 / 580 mm, Bulldog QT 1
 PN **2875** OO2027 / 600 mm, Bulldog QT 2
 PN **2876** OO2034 / 545 mm, Bulldog QT 3
 PN **2877** OO273 / 650 mm, Bulldog 855 w/ 615 RPM
 PN **2878** OO274 / 670 mm, Bulldog 855 w/ 815 RPM

- Cogged type belt
- Exact OEM replacement



2028



2096

Line Strainer

- PN **2028** Strainer Assy
- Captures large contaminants
 - Transparent bowl
 - May be cleaned or disposable
 - 1 1/2" NPT
- PN **2567** Bowl Only
 PN **2054** 2 1/2" x 5 1/2" Long Screen Only
 PN **2096** Gasket Only



Slip Fit Check Valve

- PN **2884** 1 1/2" Check Valve

- Double union design
- NOT threaded or glued
- Easily removed from piping
- Used on drains



2019



2137



2128

Replacement Dry Rotary Vane Pump

- PN **2019** 3/4 HP Vacuum Pump

- Gast®
- 3/4 HP
- Dual voltage 115 / 230 Volt
- Fits Apollo / Matrix / Midmark® / Tech West / DCI

SHIPS VIA UPS GROUND

- PN **2137** Filter Elements

- PN **2128** Exhaust Silencer



2139

Vane Kit for Thomas Surgical Pump

PN 2139 Replacement Vane Kit-Thomas Surgical Vacuum (pk of 4)



2604

Surgical Suction Collection Bottle Gaskets

PN 2604 Surgical Suction Collection Bottle Assembly Gasket,
Suction Bottle Cap 2.73" O.D., .180" THK



2415

PN 2415 Surgical Suction Collection Bottle Gasket
2" I.D., 2.73" O.D., .125" THK



5586

Holder Activated AVS System

PN 5586 Holder Activated AVS System

- Air powered oral evacuation
- Requires 50 PSI minimum air pressure
- 1 quart plastic collection bottle
- Mounts to underside of dental unit or cabinet
- Precision Comfort® HVE & Traditional Tubing

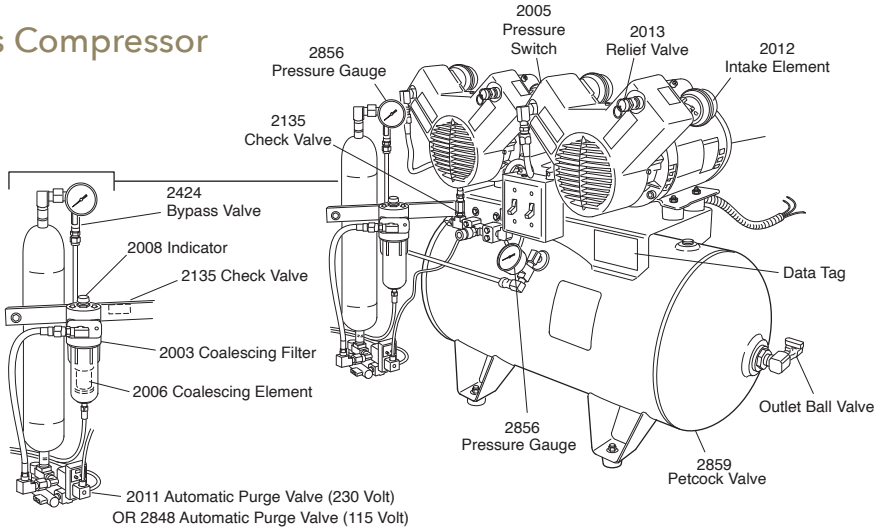


5582

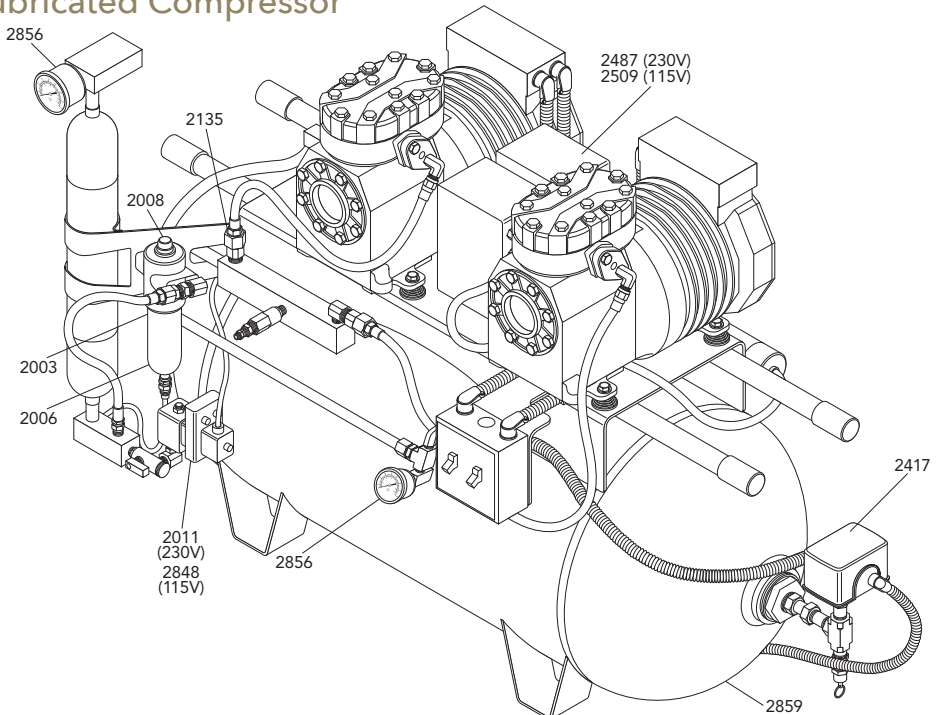
PN 5582 1 Quart Replacement Bottle

- 1 quart plastic collection bottle

Oil-Less Compressor



Lubricated Compressor





Retail pricing
available at
dciparts.com

Sterilizer Parts



310-311

A-dec®/W&H Lisa



311-313

Midmark/Ritter



313-314

MDT & Harvey



315-318

Pelton & Crane®



319-320

SciCan® 2000



321-323

Tuttnauer®

A-dec® is a registered trademark of A-dec, Inc. DCI has no affiliation with A-dec and A-dec has not authorized DCI replacement parts to be used on or in connection with A-dec® products.



Air Intake Filter to fit A-dec®/W&H Lisa

PN 2812 Air Intake Filter (A-dec® #54.0067.00)

- Replace every 400 cycles
- 3 Micro filtration



Gasket to fit A-dec®/W&H Lisa

PN 2186 Gasket (A-dec® #54.0014.00)



Water Line Parts to fit A-dec®/W&H Lisa

PN 1823 Water Supply Tubing

- Used in A-dec® #54.0029.00/54.0181.00 assemblies
- Water supply/drain tubing for A-dec Lisa sterilizer



Vacuum Pump Membrane Kit to fit A-dec®/W&H Lisa

PN 9420 Membrane Kit (A-dec® #54.0051.00)

Kit Includes:

- Diaphragms, Qty. 2
- Butterfly Valves, Qty. 4
- O-Rings, Qty. 2

A-dec® is a registered trademark of A-dec, Inc. These parts are manufactured by DCI to fit A-dec® equipment. DCI has no affiliation with A-dec and A-dec has not authorized DCI replacement parts to be used on or in connection with A-dec® products.





Water Pump to fit A-dec®/W&H Lisa

PN **9303** Water Pump (A-dec® #54.0049.00)

- 230 Volt



EV Valves to fit A-dec®/W&H Lisa

PN **9423** EV5 (used in A-dec® #54.0090.00)

PN **9424** EV1/EV3 (A-dec® #54.0048.00)

PN **9425** EV2/EV4 (used in A-dec® #54.0027.00)



2192

Midmark® Style M9 & M11 Solenoids (Old Style)

PN **2192** Midmark® M9 & M11 Vent Solenoid (old style)
(Midmark® #002-366-00)



2193

PN **2193** Midmark® M9 & M11 Fill Solenoid (old style)
(Midmark® #002-365-00)



M9 & M11 Fan

PN **2189** M9 & M11 Fan, 115V (Midmark® #015-1368-00)

A-dec® is a registered trademark of A-dec, Inc. These parts are manufactured by DCI to fit A-dec® equipment. DCI has no affiliation with A-dec and A-dec has not authorized DCI replacement parts to be used on or in connection with A-dec® products.

FEATURED



M11 Door Seal Kit

Midmark® M11 Door Seal Kits are manufactured by DCI to directly fit Midmark® autoclaves and meets the original manufacturer's specifications.



PN 2195 M11 Door Seal Kit
(Midmark® #002-0504-00 & #057-0790-00)

- Includes gasket, dam & hoop

FEATURED

M9 Door Seal Kit

DCI manufactures Midmark® M9 Door Seal Kits to fit Midmark® autoclaves directly and meets the original manufacturer's specifications.



PN 2194 M9 Door Seal Kit
(Midmark® #002-0361-01 & #057-0790-01)

- Includes gasket, dam & hoop





M9 & M11 Chamber Screens

PN **2320** M9 and M11 Chamber Screens (pkg of 2)
(Midmark® #002-0360-00)



Midmark® / Ritter Style Thermostat M7 / M9 / M11

PN **2905** Thermostat (Midmark® #002-0370-00)



Midmark® / Ritter Style Relief Valve M9 & M11

PN **2816** Relief Valve (Midmark® #002-0359-00)

- Original OEM replacement
- Rated for 35 PSI
- 1/2" NPT



Midmark® / Ritter Style M7 Door Seal

PN **2117** Door Seal (Midmark® #H98134 & #33166)

- For use w/ Midmark® M7 & M7 Speedclave



Midmark® / Ritter Style M7, M9 & M11 Relief Valve

PN **2815** Relief Valve (Midmark® #H98089 & #11683)

- Original OEM replacement
- 1/8" NPT
- 38 PSI



MDT & Harvey Style Indicator Lamps

PN **8671** Solution Indicator Light, Red (MDT #250056901)
PN **8673** Temperature Indicator Light, Amber (MDT #250056921)
PN **8674** Sterile Indicator Light, Green (MDT #250056931)

- For use on: Aquaclave 10, 20 & 30, Chemiclave E, 4000, 5000, 5500 & 6000
- 125 VAC, 1/3 watt
- Includes Tinnerman® clip



2098

MDT & Harvey Style Door Gaskets

MDT & Harvey Style Door Seal are manufactured by DCI to directly fit MDT & Harvey autoclaves and meets the original manufacturer's specifications.

FEATURED



2098

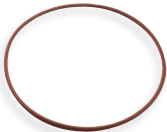
MDT & Harvey Style Door Gaskets

PN 2098 Door Seal for MDT GLS 8" (MDT #2-60834)



2099

PN 2099 Door Seal for MDT GLS 10" (MDT #2-513005)



2108

PN 2108 Door Seal for Chemiclave 5500, 7000 & Aquaclave 20 (MDT #280000301)



2109

PN 2109 Door Seal for Chemiclave E, 4000, 5000 & Aquaclave 10 (MDT #250007801)





Pelton & Crane® Style Relief Valve

PN 2816 Relief Valve (P&C #004146)

- 1/2" NPT
- Brass pull ring for testing
- Fits OCM & OCR
- Rated for 35 PSI



Pelton & Crane® Style Delta Check Valve Kit

PN 2818 Pelton & Crane Delta Check Valve Kit (P&C #5440586)

- 1/8" NPT Female



Pelton & Crane® Style Delta Air Compressor 2000

PN 2906 Compressor (P&C #3325086)

- 115 Volt AC
- Fit all Delta models
- 24" Lead
- Includes check valve PN 2818



TECH TIP

Always be sure to change out your Statim tubing once it becomes contaminated with debris. Restrictions in the tubing cause longer drying cycles.

These parts are manufactured by DCI to fit Pelton & Crane® equipment. DCI has no affiliation with Pelton & Crane. DCI replacement parts are not manufactured under license or supervision of Pelton & Crane®.

Pelton & Crane® Style Door Seals & Gaskets

DCI manufactures Pelton & Crane® Style Door Seals to fit Pelton & Crane® autoclaves directly and meets the original manufacturer's specifications.



2100

FEATURED

Pelton & Crane® Style Door Seals & Gaskets

PN **2100** Door Seal for 8" OCM (P&C #004014)

- Meets original manufacturer's specifications





2100

Direct Replacement

The door seal is a direct replacement for Pelton & Crane® doors.

Meets Manufacturers Specs

8" Door Seal is intentionally designed to meet manufacturers specifications.

Pelton & Crane® Style Door Seals & Gaskets



2101



PN **2101** Door Seal for 10" OCR (P&C #004341)



2102



PN **2102** Door Seal & Dam for 8" Delta / Delta XL / Validator (P&C #1539241)



2103



PN **2103** Door Seal & Dam for 10" Delta / Delta XL / Validator (P&C #1539407)

PN **2104** Door Spacer For All 8" or 10" Delta / Delta XL / Validator (P&C #3322281)

- Meets original manufacturer's specifications



2104

**DELTA & VALIDATOR DOOR SEALS
NOW INCLUDE DAM**



Pelton & Crane® Style Fill / Vent Water Filter

PN 2111 Fill / Vent Filter (P&C #1881031 & #004326)

- For use w/ Pelton & Crane® models: Sentry, OCM, OCR, Validator 8 & 10, Delta 8 & 10, Delta XL 8 & 10
- 120 to 150 micron



Pelton & Crane® Style Reservoir Filter

PN 2157 Reservoir Filter (P&C #9432311)

- 120 micron brass filter w/ 3/8
- 24 FPT
- Fits Validator & Delta



TECH TIP

SEARCH OVER 5,000 OEM PART NUMBERS



SEARCH

Check out the A-dec® and Pelton & Crane® **Cross-Reference Guide** on page 347, a valuable resource for finding the correct OEM part.

LOOKING FOR OTHER MANUFACTURERS?

Visit www.dcionline.com and search DCI's extensive cross-reference database with **over 5,000 OEM part numbers!**

Quickly find what you need.
Search by brand,
category, keyword,
or reference.



These parts are manufactured by DCI to fit Pelton & Crane® autoclaves.

A-dec® is a registered trademark of A-dec, Inc. These parts are manufactured by DCI to fit A-dec® equipment. DCI has no affiliation with A-dec and A-dec has not authorized DCI replacement parts to be used on or in connection with A-dec® products.





Statim Steam Bottle

- PN 2120 Statim Steam Bottle
- PN 2174 Statim Air Gap Kit (backflow prevention device)
- PN 2125 High Temperature Teflon Tubing 21' Max Length

- No maintenance Statim Steam collection bottle
- Includes installation hardware
- Converts steam from Statim to liquid & routes to sink



2909



2911



2912

Statim Solenoid Valve Kit 2000 & 5000

- PN 2910 Statim Solenoid Valve Kit 2000
- PN 2911 Statim Solenoid Valve Kit 5000
- PN 2909 Statim Solenoid Valve 2000 & 5000
- PN 2912 Repair Kit for Solenoid Valve (DCI kits only)
- PN 9341 Swivel Elbow Fitting for Exhaust Tubing
- PN 9342 Straight Fitting for Exhaust Tubing

- 2-way normally closed
- Rated to 175 PSI
- 1/8" NPT
- 115 Volt AC
- Includes swivel push-in elbow fitting



SciCan® Relief Valve 2000 & 5000

- PN 2817 SciCan® Relief Valve (SciCan® #01-106787S)
- 1/8" NPT
- 70 PSI



SciCan® Check Valve Kit 2000 & 5000

PN **2818** SciCan® Check Valve 2000 & 5000 (SciCan® #01-100574S)

- 1/8" NPT Female



SciCan® Air Compressor 2000

PN **2906** Compressor (SciCan® #01-100560S)

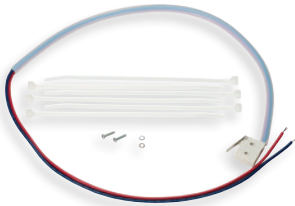
- 115 Volt AC
- Fits model 2000
- 24" Lead
- Includes check valve PN 2818



SciCan® Power Switch 2000 & 5000

PN **2895** Power Switch (SciCan® #01-100573S)

- Double pole / single throw
- 125-250 VAC
- Panel mount 3/4 x 1/2



SciCan® Cassette Switch Kit 2000

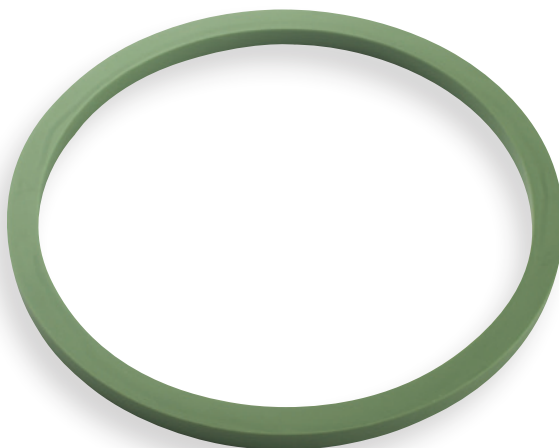
PN **2896** Cassette Switch Kit (SciCan® #01-00571S)

- Cherry micro switch
- 115 VAC
- 5 amp



Tuttnaver® Style Door Seals

Tuttnaver® Style Door Seal are manufactured by DCI to directly fit Tuttnaver® autoclaves and meets the original manufacturer's specifications.



2105

FEATURED



2106



2107

Tuttnaver® Style Door Seals

- PN **2105** Door Seal for Tuttnaver® 1730 Series (Tuttnaver® #02610020)
- PN **2106** Door Seal for Tuttnaver® 2340 Series, serial #8805 & below (Tuttnaver® #02610005)
- PN **2107** Door Seal for Tuttnaver® 2540 Series (Tuttnaver® #02610023)

- Manufactured by DCI to fit Tuttnaver® autoclaves
- Meets original manufacturer's specifications



Tuttnaver® Style Indicator Lights

- PN **8671** Lamp, Red (Tuttnaver® #P-77117-143)
 PN **8673** Lamp, Amber (Tuttnaver® #P-77117-145)
 PN **8674** Lamp, Green (Tuttnaver® #P-77117-144).

- 125 VAC - 1/3 watt
- Includes mounting clip



Tuttnaver® Style Relief Valve

- PN **2889** 37 PSI Relief Valve (Tuttnaver® #03110003)
 PN **2191** 40 PSI Relief Valve (Tuttnaver® #03110002)

- 1/4" MPT Relief



Tuttnaver® Style Power Switch

- PN **2890** Power Switch (Tuttnaver® #01910172)

- Double pole / single throw
- Illuminated switch
- 125-250 VAC / 16 amp



Tuttnaver® Style Fan

- PN **2907** Fan (Tuttnaver® #04203801)





Tuttnauer® Style Limit Switch

PN 2892 Main Valve Limit Switch (Tuttnauer® #01910191)

- Mounts to main valve assembly
- 2 1/2" arm
- 125-250 VAC / 15 amp
- Fits all models



Tuttnauer® Style Door Switch

PN 2891 Door Switch (Tuttnauer® #01910190)

- Wired normally open
- 125-250 VAC / 15 amp
- Fits all models



Tuttnauer® Style Circuit Breaker 7 Amp

PN 2898 7 amp Circuit Breaker (Tuttnauer® #01910099)

- Push to reset
- 7 amp rating
- Fits model 1730 (230) Volt M&E



Tuttnauer® Style Circuit Breaker 15 Amp

PN 2899 15 amp Circuit Breaker (Tuttnauer® #01910100)

- Push to reset
- 15 amp rating
- Fits models: 1730 (115) Volt M, E, MK, & EK, 1730 (230) Volt MK & EK 2340 / 2540 (115) Volt M & E, 2340 / 2540 (230) Volt M, E, MK, & EK 3870 (230) Volt M & E



Retail pricing
available at
dciparts.com

Scaler Parts



326-328

Dentsply™
Foot Switches



329

Dentsply™
Water Regulators



330

Dentsply™ Solenoid
Valves & O-Ring



331

Q.D. Panels &
Mounting Brackets



332

Tubing & Holders

Cavitron® Plus™ Wired Foot Switch Replacement

The **Cavitron® Plus™ Wired Foot Switch Replacement** is an affordable replacement for Dentsply products. The Foot Switch features a traditional design, a wired connection and is a direct fit for Dentsply Cavitron®, Cavitron® Plus™ Scaler, and JET Plus™.



Wired Connection

Direct replacement for Cavitron® Plus footswitch, this wired version is more affordable and provides a direct connection.

FEATURED

Cavitron® Plus™ Wired Foot Switch Replacement

PN **9415** Wired Replacement for Cavitron® Plus™ Scaler & Cavitron® JET Plus™

- Replacement for Dentsply #81674
- 2 Position
- 8' Cord

Cavitron Select SPS Power Supply

The **Cavitron® Select™ SPS™ Power Supply** is a 2 position, 8' cord power replacement for Dentsply products.



9414

FEATURED

Cavitron Select SPS Power Supply

PN **9414** Replacement PowSupply for 30K Cavitron®
Select™ SPS™

- Replacement for Dentsply #674022001
- 2 Position
- 8' Cord



DENTSPLY® Style Foot Switch

PN 9407 Foot Switch (DENTSPLY® #60473)

- 2 Position
- Fits various DENTSPLY® products



Cavitron Foot Switch

PN 9401 Cavitron Foot Switch For 3000 & 2002
(DENTSPLY® #61187)

- Single position switch
- 8' Cord



DENTSPLY® Style Bobcat Foot Switch

PN 9408 DENTSPLY® Bobcat Foot Switch (DENTSPLY® #77885)

- Single position switch
- 8' Cord



Cavitron SPS Type Foot Switch

PN 9405 Cavitron SPS Foot Switch (DENTSPLY® #565138002)

- 2 Position
- 8' Cord



Cavitron Select Type Foot Switch

PN 9400 Cavitron Select Type Foot Switch (DENTSPLY® #565162002)

- Single Position Switch
- 8' Cord



Cavitron Select SPS Type Foot Switch

PN 9406 Cavitron Select SPS Type Foot Switch (DENTSPLY® #565162005)

- 2 Position
- 8' Cord



Dentsply™ Style Water Regulator w/ Extended Stem

PN **7209** Water Regulator w/ Extended Stem (Dentsply™ #79685)

- Fits Dentsply™ models w/ extended stem
- Includes 1/4" poly flow connector



Dentsply™ Style SPS Type Water Regulator

PN **7199** Dentsply™ SPS Type Water Regulator (Dentsply™ #80742)

- Fits Cavitron Jet w/ SPS Technology & Cavitron w/ SPS Technology

FEATURED



Dentsply™ Style Regulator

PN **7094** Water Regulator (Dentsply™ #60407)

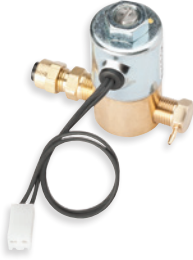
- Includes 1/4 x 10-32 poly connector (0054)
- To fit the following units: Cavitron® 3000 & 2002, Prophy-Jet® 30, Cavi-Jet® 30, Cavi-Endo® 25, Cavi-Med

FEATURED



Luer Lock Fittings

PN **9276** Luer Lock Fittings, Cavitron In-Line Filter, pkg of 5



Bobcat Water Solenoid Valve Assembly

PN **9402** Bobcat Water Solenoid Valve Assembly
(DENTSPLY® #77792)

- 24 Volt AC
- 1/8" FPT
- 3/32" Orifice
- For Cavi Jet 30 / Cavitron 2002/3000 / Cavi Endo / Cavi Med



Cavitron Water Solenoid Valve Assembly

PN **9404** Cavitron Water Solenoid Valve Assembly
(DENTSPLY® #776030250)

- 24 Volt
- 1/8" FPT
- 3/32" Orifice



DENTSPLY® SPS Style Water Solenoid Valve

PN **2939** DENTSPLY® SPS Style Water Solenoid Valve
(DENTSPLY® #571070003)

- Fits DENTSPLY® Cavitron SPS w/ SPS Technology & Cavitron Jet w/ SPS Technology
- 24 Volt DC
- 2, 1/8" FPT Ports



Cavitron Type Insert O-Rings

PN **2307** Cavitron Type Insert O-Rings (pkg of 12)
(DENTSPLY® #62605)

- Autoclavable
- Fits Cavitron Jet Nozzle, SlimLine, P Style, Cavitron Med & Pel inserts



Know the OEM #? Need the DCI PN?

Use the *DCI Cross Reference Database* on dciparts.com to quickly search over 5,000 OEM PN's.

Air & Water Auxiliary Q.D. Panels



PN 6559 Gray Auxiliary Panel

PN 6569 White Auxiliary Panel

- Mounts in any vertical access panel up to 5/8" thick
- 1/4" Water quick connect w/ flow control
- Available in white or gray
- 3/8" Air quick connect w/ on/off switch
- Dimensions 3" x 4"

Valve / Switch / Q.D. Mounting Brackets



PN 7078 Single Mount, L: 1 1/2" H: 7/8" W: 3/4"

PN 7079 Dual Mount, L: 3" H: 7/8" W: 3/4"

PN 7114 Triple Mount, L: 3" H: 7/8" W: 3/4"

- 1/2" I.D. mounting holes
- White powder coat finish
- Used to mount toggles, indicators, Q.D.'s & air electric switches

3/4" & 1/2" I.D. Toggle Mounting Bracket



PN 7113 Q.D. Mounting Bracket, L: 3" H: 7/8" W: 3/4"

- One 1/2" mounting hole
- One 3/4" mounting hole
- White powder coat finish



640

Ultrasonic Scaler Tubing

PN 640 Straight (7 ft. Length)



631

Propy Tubing 7 ft. Length

<u>GRAY</u>	<u>BLACK</u>
-------------	--------------

631

630

For DENTSPLY® / Cavitron Propy-Jet Model C-100 & C-200

636

635

For DENTSPLY® / Cavitron Propy-Jet Model C-300 / Model 104 & Cavi-Jet Model G10

FEATURED



4562



5967

Electric Auto Holders

<u>GRAY</u>	<u>WHITE</u>	<u>BLACK</u>
-------------	--------------	--------------

5967

4562

5966

Normally Open

5969

4563

5968

Normally Closed

5976

HVE Normally Closed

- Holder assembly w/ low voltage switch for direct activation of electrical accessory
- On/off lockout toggle, 5966-5969
- 125 Volts AC / DC 5 amps



Visit the DCI Video Library for a demonstration on adjusting automatic holders.



Cavitron Handpiece Sleeve Assembly

PN 5912 Sleeve Assembly

- Adapts handpiece assembly to fit standard holders
- Molded plastic w/ set screw

PN	PAGE #
0004	176
0005	177
0006	174
0007	177
0008	177
0010	176
0011	176
0012	175
0013	176
0014	175
0015	176
0016	176
0017	176
0018	176
0019	190
0020	190
0021	190, 215
0022	191
0023	191, 215
0024	191
0025	191
0027	191
0030	190
0031	190
0032	190
0033	190
0034	190
0035	190
0036	190
0037	190
0038	190
0040	190
0041	190
0042	189
0044	189
0045	190
0047	189
0048	189
0049	189
0050	189
0051	189
0052	189
0053	189
0054	184, 189
0055	190
0056	190

PN	PAGE #
0057	190
0058	189
0059	189
0060	189
0061	189
0062	183
0063	182
0064	180, 183, 215
0065	183, 215
0066	181
0067	178
0068	178
0069	181
0070	179, 215
0071	179, 215
0072	179, 180, 215
0073	178
0074	178, 215
0075	96, 178, 215
0076	179
0077	179, 180, 215
0078	179, 180, 215
0079	179
0080	182
0081	182
0082	181, 215
0083	181, 215
0084	87, 88, 96, 178
0085	87, 88, 96, 178
0086	182
0087	182
0089	179
0090	183
0091	183
0092	185
0093	186
0094	184
0096	186
0097	186
0098	186
0099	186
0100	188
0102	188
0105	181
0112	186
0113	186
0114	190

PN	PAGE #
0119	189
0120	77
0121	77
0122	77
0123	77
0124	77, 215
0125	186
0127	187
0131	185
0133	185
0135	187
0136	187
0137	187
0138	187
0139	187
0140	186
0141	186
0142	186
0143	185
0144	185
0145	185
0146	186
0147	186
0148	186
0149	185
0150	185
0151	185
0152	184
0153	184
0154	184
0155	185
0157	185
0158	185
0159	186
0160	186
0165	66
0166	66
0167	182
0168	170, 180
0171	180, 250
0181	182
0182	182
0183	182
0184	182
0185	182
0187	178, 180, 215
0188	178, 180, 215

PN	PAGE #
0189	178, 180, 215
0197	179, 180, 215
0198	179, 180, 215
0199	179
0200	179
0801	188
0806	187
0807	187
0808	187
0809	187
0811	185
0812	185
0813	188
0815	188
0823	187
0824	187
0826	187
0832	187
0834	186
0835	184
0836	185
0837	186
0838	185
0839	185
0840	185
0841	185
0842	185
0843	187
0844	187
0845	187
0846	187
0847	187
0850	191, 305
0851	191
0852	191
0853	191
0854	191
0855	191
0856	191
0858	191, 305
0864	189
0866	182
0867	183
0868	182
0869	182
0870	184

PN	PAGE #
0872	184
0873	184
0880	187
0881	187
0882	187
0884	188
0886	188
0889	188
0890	188
0891	184
0892	184
0897	185
0899	183
0900	185
0904	188
0907	186
0911	144
0914	187
0917	186
0918	186
0920	188
0921	188
0922	188
0923	188
0936	189
0942	183
0943	191
0944	191
0945	191
0946	191
0947	191
0948	191
0949	81
0951	180, 181, 215
0952	180, 181, 215
0954	77, 203
0956	77
0957	77
0958	77
0959	192
0960	192
0961	192
0962	192
0964	192
0965	192
0966	192
0967	192

PN	PAGE #
0968	192
0970	192
0971	192
0972	192
0973	192
0974	192
0975	192
0976	192
0977	192
0978	192
0979	192
0980	192
0981	192
0982	192
0983	192
0991	178
0992	180, 205, 206
0993	180
0994	192
120N	77
120T	77
121N	77
121T	77
222	196
231B	196
231C	196
231R	196
231	196
232B	196
232C	196
232R	196
232	196
233B	196
233C	196
233R	196
233	196
235B	196, 242
235C	196, 242
235R	196, 242
235	196, 242
236B	196
236C	196
236R	196
236	196
242B	198
242R	198
242	198

PN	PAGE #
243B	198
243R	198
243	198
246B	198
246R	198
246	198
252B	197
252R	197
252	197
253B	197
253R	197
253	197
255B	198
255R	198
255	198
256B	198
256R	198
256	198
322B	82, 195
322R	82, 195
322T	82, 195
322	82, 195
322CT	82, 195
332	196
343B	198
343R	198
343	198
348B	198
348R	198
348	198
349B	198
349R	198
349	198
350B	198
350R	198
350	198
360	75
361	75
362	75
364	75
402B	82, 195
402R	82, 195
402T	82, 195
402	82, 195
402CT	82, 195
421B	197

PN	PAGE #
421R	197
421	197
422B	197
422R	197
422	197
423B	197
423R	197
423	197
425B	197
425R	197
425	197
426B	197
426R	197
426	197
427B	197
427R	197
427	197
428B	197
428R	197
428	197
431B	82, 194
431R	82, 194
431T	82, 194
431	82, 194
431CT	82, 194
432B	82, 194
432R	82, 194
432T	82, 194
432	82, 194
432CT	82, 194
433B	82, 194
433R	82, 194
433T	82, 194
433	82, 194
433CT	82, 194
435B	82, 194, 242
435R	82, 194, 242
435T	82, 194, 242
435	82, 194, 242
435CT	82, 194, 242
436B	82, 194
436R	82, 194
436T	82, 194
436	82, 194
436CT	82, 194
441T	194



PN	PAGE #	PN	PAGE #	PN	PAGE #	PN	PAGE #
445T	194	720	199	1404R	200	1702	200,250
446T	194	721	199	1404	200	1703B	200,250
451	75	722	199	1405B	200	1703R	200,250
453	75	731	198	1405R	200	1703	200,250
455	75	732	198	1405	200	1706B	200,250
459	75	733	198	1406B	200	1706R	200,250
510B	197	734	198	1406R	200	1706	200,250
510R	197	737	198,243	1406	200	1708B	200,250
510	197	739	198	1407B	200	1708R	200,250
511B	197,244	742	198	1407R	200	1708	200,250
511R	197,244	743	198	1407	200	1823	310
511	197,244	744	198	1408B	200	2003	297
512B	197	752	199	1408R	200	2005	300
512R	197	1201B	200	1408	200	2006	297
512	197	1201R	200	1409B	200	2008	297
513B	197	1201	200	1409R	200	2011	300
513R	197	1202B	200	1409	200	2012	296
513	197	1202R	200	1417B	200	2013	301
582	75	1202	200	1417R	200	2016	299
583	75	1203B	200	1417	200	2019	306
630	196,332	1203R	200	1418	200	2028	303,306
631	196,332	1203	200	1418R	200	2030	291,292
635	196,332	1204B	200	1418	200	2040	92
636	196,332	1204R	200	1419B	200	2050	291
640	196,332	1204	200	1419R	200	2051	153,291
645R	196	1205B	200	1419	200	2052	291
645	196	1205R	200	1550	222	2054	304,306
646R	196	1205	200	1555	222	2060	92
646	196	1206B	200	1560	222	2073	291
653	142,197, 244	1206R	200	1561	222	2075	291
654	142,197	1206	200	1602B	200	2076	153,291
701	199	1207B	200	1602R	200	2080	177
703	199	1207R	200	1602	200	2081	177
704	199,304	1207	200	1603B	200	2096	304,306
705	199,304	1208B	200	1603R	200	2098	314
706	199	1208R	200	1603	200	2099	314
707	199,304	1208	200	1605B	200	2100	316
708	199	1401B	200	1605R	200	2101	317
709	199,304	1401R	200	1605	200	2102	317
713	199	1401	200	1608B	200	2103	317
714	199	1402B	200	1608R	200	2104	317
715	199	1402R	200	1608	200	2105	321
716	199	1402	200	1701B	200,250	2106	321
717	199	1403B	200	1701R	200,250	2107	321
718	199	1403R	200	1701	200,250	2108	314
719	199	1403	200	1702B	200,250	2109	314
		1404B	200	1702R	200,250	2110	92,158

PN	PAGE #	PN	PAGE #	PN	PAGE #	PN	PAGE #
2111	318	2224	218	2288	79	2530	221
2117	313	2225	170, 217, 232	2289	170, 218	2540	294
2120	319	2228	218	2293	96, 217	2545	294
2125	319	2229	217, 235, 251	2295	79	2550	301
2128	306	2230	96, 217, 232, 251	2297	65, 218	2566	293
2135	301	2231	217	2298	217	2567	304, 306
2137	306	2232	217	2299	79	2572	301
2139	307	2233	170, 217	2302	291	2604	307
2148	304	2234	172, 217	2303	291	2606	293
2149	304	2235	218	2305	96, 217, 241	2619	294
2150	165	2236	218	2307	330	2633	203, 294
2151	165	2237	218	2309	116, 217	2640	220
2152	165	2238	170, 218	2310	249	2647	295
2155	305	2239	150, 153, 218	2312	249	2649	294
2156	305	2240	109, 218	2320	313	2676	303
2157	318	2241	218	2395	153, 290	2677	304
2166	300	2242	96, 217, 241	2396	153, 290	2678	304
2170	296	2243	116, 218	2400	299	2691	279
2174	319	2244	217	2414	294	2692	297
2186	310	2245	218	2415	307	2694	293
2189	311	2246	218	2417	300	2696	294
2191	322	2247	217	2419	293	2697	294
2192	311	2252	217	2420	293	2699	293
2193	311	2253	116, 215, 218	2421	298	2702	293
2194	312	2254	79, 116, 215, 218	2422	294	2703	293
2195	312	2255	215, 217	2423	294	2711	294
2201	96, 170, 215, 217	2256	116, 215, 217	2424	298	2723	292
2202	96, 217	2257	79, 116, 218	2433	221	2733	270
2203	96, 170, 172, 215, 217, 233, 251	2259	96, 217	2434	221	2734	270
2204	217	2260	96, 217	2435	221	2761	279
2205	144, 170, 217	2261	217	2436	221	2794	284
2206	116, 218	2262	217	2437	221	2799	285
2207	116, 218, 258	2263	96, 217	2454	220	2801	278
2208	116, 217	2264	96, 217	2460	220	2802	278
2209	116, 217	2266	96, 217	2478	278	2803	278
2210	141, 144, 170, 218, 246, 258	2267	96, 215, 217	2481	299	2804	278
2211	96, 217	2268	79, 218	2485	295	2806	278
2212	96, 217	2269	218	2487	293	2807	278
2214	217	2270	218	2489	300	2808	278
2215	152, 171, 218	2271	182, 217	2493	220	2809	278
2217	217	2280	217	2496	220	2810	283
2218	170, 217	2281	79, 217	2501	299	2812	310
2220	217	2282	79, 217	2502	301	2813	295
2221	109, 218	2284	79, 218	2509	293	2814	78
2223	218	2285	217	2513	301	2815	313
		2286	79	2516	220	2816	313, 315
		2287	79	2524	221	2817	319

PN	PAGE #	PN	PAGE #	PN	PAGE #	PN	PAGE #
2818	315, 320	2898	323	2965	266	3181	90
2821	298	2899	323	2966	268	3182	90
2826	152, 300	2900	292	2967	282	3211	91
2827	166	2901	292	2968	282	3320	89, 96
2828	166	2902	292	2969	292	3325	89
2829	166	2904	292	2970	292	3349	89
2830	166	2905	313	2971	292	3350	89
2831	166	2906	315, 320	2972	129, 280	3355	89
2832	166	2907	322	2973	129, 280	3357	89
2833	302	2909	319	2980	278	3359	89
2834	302	2910	319	3021	92, 158	3361	89
2835	302	2911	319	3024	92	3369	89
2837	303	2912	319	3030	92	3370	89
2838	303	2920	295	3033	91, 204	3375	89
2839	303	2921	295	3034	88	3379	89
2841	303	2923	299	3036	89, 96	3398	89
2842	303	2925	297	3040	92	3404	89
2843	303	2928	285	3042	92	3405	89
2844	303	2929	285	3045	89	3406	89
2845	303	2930	285	3049	92	3429	86
2846	302	2931	285	3054	90, 241	3457	87
2848	300	2932	298	3055	90, 241	3459	87
2856	152, 300	2934	156	3056	90, 241	3461	87
2857	301	2935	298	3059	90, 96	3463	87
2858	302	2939	166, 330	3060	90, 96	3464	87
2862	210, 292	2940	299	3061	90, 96	3470	88
2868	296	2941	302	3065	85, 87, 96	3474	88
2869	296	2942	302	3066	87, 257	3475	88
2870	296	2943	283	3070	92, 93, 241	3476	88
2874	306	2945	295	3071	89, 96	3477	88
2875	306	2946	129, 280	3072	89	3478	88
2876	306	2947	296	3074	89, 96	3479	88
2877	306	2948	129, 280	3076	88	3481	88
2878	306	2950	299	3080	92	3482	88
2879	305	2951	299	3085	87, 96, 257	3483	88
2880	305	2952	282	3086	89, 96	3484	88
2881	305	2953	282	3088	89, 96	3491	85, 87, 96
2884	306	2954	278	3089	85, 96	3600	84
2885	261	2955	278	3090	88, 93, 96, 233, 241, 246	3601	84
2886	264	2956	278	3092	89, 96	3602	84
2888	261	2957	278	3093	88, 96	3603	84
2889	322	2958	278	3096	91, 204	3604	84
2890	322	2960	268	3097	91, 204	3605	84
2891	323	2961	268	3098	87	3606	84
2892	323	2962	282	3099	87	3607	84
2895	320	2963	282	3180	90, 96	3608	84
2896	320	2964	282				

PN	PAGE #	PN	PAGE #	PN	PAGE #	PN	PAGE #
3609	84	4291	35, 37, 39, 41, 43, 45, 124	4564	118	5061	105, 243
3610	84			4566	118	5062	105, 243
3615	84	4370	36	4568	118, 257	5063	105
3631	85	4376	26	4576	118	5064	105
3633	96	4378	50, 228	4578	118	5065	105
3635	85	4380	80, 158, 254	4579	118	5066	105
3636	85	4381	81, 254	4580	120	5067	105
3637	85, 96	4382	80, 158, 254	4581	120	5068	105
3638	85	4400	48	4582	120	5070	100
3640	85	4401	48	4583	120	5080	100
3641	85	4415	46	4585	120	5082	100, 101, 116
3642	85	4416	46	4586	120	5083	100, 101
3643	85	4421	80, 158, 254	4592	119	5084	100, 116
3644	85	4425	80, 158, 254	4706	78, 205	5088	100
3645	85	4426	80, 158, 254	4710	77	5090	100
4049	11	4427	80, 158, 254	4711	77	5092	100, 101, 116
4060	79	4428	80, 158	4726	78	5093	100, 116
4076	79	4430	81, 254	4728	78	5101	111
4080	79	4432	80, 158, 254	4731	78	5102	111
4084	79	4433	81, 254	4732	78	5104	99
4086	79	4434	81, 254	4733	78	5107	98, 116
4087	79	4435	80, 158	4734	78	5108	98, 116
4088	79	4437	253	4735	78	5111	105
4089	79	4438	80, 158	4736	78	5112	98
4090	79	4444	123	4738	77	5124	99
4093	158	4445	47, 49, 123	4762	25, 27, 29, 31, 128	5131	98
4096	79	4446	52, 254	4763	25, 27, 29, 31, 128	5145	101, 116
4098	79	4467	3, 5, 7, 15, 23, 24, 26, 32, 34, 36	4764	25, 29, 128	5148	101
4102	44	4468	3, 5, 7, 23, 24	4765	25, 29, 128	5150	101
4106	44	4469	32	4788	63	5161	101
4111	79	4470	19, 21, 34	4790	65	5165	98, 116
4120	40	4477	24	4812	126	5166	98, 116
4121	40	4478	24	4813	126	5168	100, 116
4128	30	4502	42	4820	126	5169	100, 116
4129	30	4506	42	4824	3, 126	5171	101, 116
4152	258	4520	38	4825	126	5172	101, 116
4198	53	4521L	32	4855	126	5184	101
4199	104	4521	19, 21, 38	4868	118	5185	101
4222	128	4526	28	4869	118, 257	5190	100
4272	127	4528	28	4905	128	5214	99
4273	127	4529	28	4906	128	5217	98, 116
4274	127	4530	28	4907	128	5218	98, 116
4276	127	4542	14	4908	128	5220	105
4282	182	4561	118	4920	126	5222	98
4289	19, 21, 35, 37, 39, 41, 43, 45, 124	4562	120, 332	4924	3, 126	5312	111, 242
		4563	120, 332	4955	126	5313	111, 242
				5060	105, 243	5314	111, 242

PN	PAGE #	PN	PAGE #	PN	PAGE #	PN	PAGE #
5363	102	5752	107	5900	121	6012	258
5364	25, 27, 29, 31, 47, 49, 102	5754	107, 116, 215, 243	5903	121	6013	258
5365	102	5755	108, 116	5905	121	6014	258
5366	102	5757	107	5910	121	6016	258
5367	102	5758	107	5912	332	6018	258
5368	102	5765	106	5914	118	6022	144
5369	102	5767	106	5915	121	6033	144
5370	102	5781	224	5918	121	6034	144
5371	102	5782	224	5920	121	6036	144
5372	103	5810	109	5923	121	6037	170, 172
5373	25, 27, 29, 31, 47, 49, 103	5811	109	5925	121	6038	144
5374	103	5812	109	5929	121	6039	144
5375	103	5813	109	5930	121	6042	141, 144, 246
5376	3, 7, 103	5814	109	5931	121	6046	140, 144, 245
5377	3, 7, 103	5817	110	5932	121	6047	144
5378	23, 103	5818	110	5933	121	6048	144
5380	3, 7, 23, 102	5820	110	5934	121	6049	144
5381	102	5821	109	5940	119	6052	144
5382	102	5822	111, 257	5941	121, 134	6053	144
5431	104	5823	111, 257	5942	121, 134	6054	144
5432	7, 23, 25, 27, 29, 31, 47, 49, 104	5825	109, 124	5943	121, 134	6056	144
5433	104	5827	109, 124	5945	119	6057	144
5512	110, 242	5831	109	5947	122, 134, 161, 214	6070	143, 144, 244, 245
5582	113, 307	5832	110	5948	122, 134, 161, 214, 258	6093	140, 144
5585	113	5835	112, 305	5950	119	6094	140, 144, 258
5586	113, 307	5836	112, 305	5960	119	6095	143, 144, 244
5620	108, 207	5837	112, 305	5961	121, 134	6096	141, 144, 245
5621	108, 207	5840	5, 9, 108	5962	121, 134	6097	141, 246
5622	108, 207	5845	108	5963	121, 134	6098	141, 142, 144, 245, 246, 248
5623	108	5851	112	5965	119	6102	143, 244
5645	101, 116	5853	112	5966	120, 332	6103	143, 244
5650	101	5860	109	5967	120, 332	6104	143, 244
5655	101	5864	109	5968	120, 332	6106	143, 244
5660	101	5865	109	5969	120, 332	6107	143, 244
5664	101	5866	109	5970	119	6110	143, 244
5667	101	5872	109	5971	134	6111	143, 244
5670	101, 116	5873	109	5972	134	6112	143, 244
5672	101, 116	5877	109	5976	120, 332	6113	143, 244
5680	105	5880	120	5983	122, 134, 161, 214, 257	6132	140, 144, 258
5681	105	5881	120	5987	118	6161	140
5720	107	5882	120	5988	118	6162	140
5740	107	5883	120	5989	122, 134, 161, 214	6163	140, 257
5742	107, 116	5884	120	5997	134	6165	140, 258
5750	107, 116, 243	5885	120	5998	134	6166	139, 258
5751	107	5887	110	6003	144	6300	139
		5888	109	6004	144	6301	139
		5889	110	6011	258		

PN	PAGE #	PN	PAGE #	PN	PAGE #	PN	PAGE #
6303	139	6569	53, 164, 331	7045	160	7122	172
6304	139	6800	223	7050	159	7123	161, 214
6305	138	6801	223	7052	159, 214, 255	7124	161, 214
6306	142, 244	6802	223	7054	159	7125	147
6307	138	6803	223	7055	160	7126	147, 172
6309	139	6804	223	7056	160	7127	172
6310	136	6805	223	7058	134, 170	7128	172
6311	136	6806	223	7059	159, 160, 170	7133	154, 170, 256
6313	139	6807	224	7060	214	7134	209
6314	138	6808	224	7064	134, 170	7135	147
6315	138	6812	224	7065	170	7139	154, 256
6317	138	6813	224	7068	154, 156, 256	7140	165, 214, 256
6320	138	6814	207	7069	159, 160, 170, 255	7141	165, 256
6321	138	6815	207	7070	157, 214	7143	214
6322	136	6816	207	7071	157	7150	160, 238
6324	138	6817	207	7073	157	7151	160, 214, 238, 255
6325	138	6818	110, 242	7075	157	7152	160
6326	139	6820	223	7078	164, 214, 331	7154	159, 160
6327	139	6821	111, 257	7079	164, 331	7155	160, 238
6332	138	6822	225	7080	164, 212, 240	7156	160, 238, 255
6335	136	7000	159	7082	210	7157	159
6336	138	7001	159, 214, 255	7084	164, 212, 240	7158	160
6337	138	7009	161	7085	165	7160	161, 238
6338	138	7010	159	7087	164, 212, 240	7161	161, 238
6339	138	7012	159, 214, 255	7089	164, 212, 240	7163	161, 238
6400	139	7013	159	7090	165, 214	7164	161, 214, 238
6403	139	7014	161, 214	7092	165	7166	160, 214, 238
6405	138	7015	159	7094	149, 329	7167	160, 238
6407	138	7016	159, 214, 255	7095	156	7168	161, 238, 256
6409	139	7017	159	7096	156	7169	161, 238, 256
6410	136	7020	159	7097	156	7176	159
6411	136	7021	159, 214, 255	7099	147	7185	155, 253
6414	138	7022	165	7100	147	7186	155
6415	138	7024	161	7101	134	7187	155, 253
6416	138	7025	159	7102	134, 213	7197	159
6420	138	7026	159, 214, 255	7103	170	7199	149, 329
6421	138	7027	159, 214, 255	7104	170	7203	149
6422	138	7028	170	7109	209	7204	149
6423	136	7030	159	7111	177	7205	149
6424	138	7031	159	7112	177	7206	149
6426	139	7035	159	7113	164, 331	7208	147, 172
6432	138	7036	159	7114	164, 331	7209	149, 329
6435	136	7037	159	7115	184	7212	147
6436	138	7038	161, 214	7116	209	7220	148
6437	138	7039	161, 214	7117	148	7222	148
6438	138	7040	160	7119	147	7223	148, 150
6559	53, 164, 331	7042	159	7120	147	7225	150

PN	PAGE #	PN	PAGE #	PN	PAGE #	PN	PAGE #
7226	171, 246	7325	209	7945	163	8113	211
7227	171	7326	209	7947	163	8114	261, 267, 268
7228	171	7328	209	7950	163	8115	210
7229	171	7329	209	7951	163	8119	66
7234	153	7330	210	8001	129	8126	65, 242
7235	171	7332	210	8002	129, 280	8128	65
7236	153	7338	174	8006	129	8134	66
7238	150, 153	7350	156	8010	129, 280	8134QS	65, 66
7239	153	7351	156	8012	127	8136	66
7241	150	7352	156	8013	26, 28, 30, 127, 250	8137	63, 64, 124
7242	150, 295	7800	162	8021	206	8139	63
7246	152	7801	162	8024	206	8139QS	35, 37, 39, 41, 43, 45, 47, 49, 63
7247	147, 152, 172, 247	7802	162	8031	206	8143	32, 62, 63
7248	152, 247	7803	162	8032	206	8143QS	62, 63
7250	152	7810	162	8034	93, 141, 206, 241, 246	8144	63
7251	152	7811	162	8037	66	8144QS	63
7252	150	7812	162	8038	66	8145	63
7253	152, 171	7813	162	8039	66	8145QS	63
7254	150	7817	162	8045	208	8146	66
7260	151	7821	162	8046	127	8147	66
7262	206	7823	163	8047	127	8158	170
7265	151	7827	163	8051	127	8162	63, 64, 124
7267	78, 205	7831	163, 222	8054	208, 215	8164	15, 17, 65
7268	152, 304	7835	163	8055	208	8177	64
7270	150, 240, 257	7836	163	8058	208	8177QS	64
7274	151	7842	163	8059	91, 204	8178	64
7279	151	7843	163	8060	202	8178QS	23, 25, 27, 29, 31, 35, 37, 39, 41, 43, 45, 47, 49, 64
7280	161, 240	7845	163	8061	202	8179	64
7281	78, 151, 205	7847	163	8062	202	8179QS	64
7282	152	7850	163	8063	205	8180	64
7283	153	7851	163	8067	218	8180QS	64
7285	161, 240	7852	163	8068	214, 218	8181	64
7287	148, 253	7900	162	8070	144	8181QS	64
7288	148, 253	7901	162	8071	215	8182	64
7289	147	7902	162	8072	215	8182QS	64
7290	152	7903	162	8074	208	8183	64
7291	147, 152	7910	162	8078	208	8183QS	64
7302	154, 256	7911	162	8082	208	8184	64
7304	154	7912	162	8086	216	8184QS	64
7305	154	7913	162	8089	202	8185	122
7306	154	7917	162, 163	8090	208	8186	122
7307	154	7921	162	8092	216	8203	146
7309	154, 256	7923	163	8094	206	8218	131, 276
7311	147, 172	7927	163	8095	216	8222	127
7321	81, 158, 257	7931	163	8110	210	8223	122
7322	209	7935	163	8111	211		
7324	209	7936	163	8112	211		

PN	PAGE #	PN	PAGE #	PN	PAGE #	PN	PAGE #
8230	125	8338	33, 35, 37, 39, 41, 43, 45, 125	8476	130, 131, 276	8660	199
8231	125	8343	123	8478	131, 276	8663	199
8237	122	8349	25, 29, 128	8482	11	8664	199
8241	122	8353	74	8488	130, 288	8668	204
8242	123	8356	35, 37, 39, 41, 43, 45, 125	8489	3, 35, 37, 39, 41, 43, 45, 125	8669	65
8244	122	8357	35, 37, 39, 41, 43, 45, 125	8493	5, 7, 9, 132, 287	8669QS	65
8253	35, 37, 39, 41, 43, 45, 124	8364	123	8497	5, 7, 9, 130, 288	8671	313, 322
8259	33, 35, 37, 39, 41, 43, 45, 124	8378	33, 35, 37, 39, 41, 43, 45, 124	8500	5, 7, 9, 132, 287	8673	313, 322
8294	3, 35, 37, 39, 41, 43, 45, 125	8379	33, 35, 37, 39, 41, 43, 45, 124	8506	132, 288	8674	313, 322
8301	146	8389	103	8515	5, 7, 9, 132, 287	8683	267, 268, 274
8303	35, 37, 39, 41, 43, 45, 125	8390	126	8522	5, 7, 9, 132, 287	8684	274
8304	35, 37, 39, 41, 43, 45, 125	8393	126	8538	5, 7, 9, 132, 287	8687	266, 273
8305	122	8397	127	8552	5, 7, 9, 132, 287	8688	261, 265, 273
8306	35, 37, 39, 41, 43, 45, 125	8398	127	8561	5, 7, 9, 130, 288	8692	275
8307	35, 37, 39, 41, 43, 45, 125	8400	19, 21, 129	8568	130, 288	8693	275
8308	35, 37, 39, 41, 43, 45, 124	8402	122	8600	267	8694	275
8309	35, 37, 39, 41, 43, 45, 124	8404	74	8601	268	8696	274
8310	146	8407	122	8602	266	8697	203, 269
8311	70, 74	8408	130, 131, 276	8603	264	8699	210, 266
8312	146	8409	131, 276	8611	199	8700	269
8313	71, 74	8410	129, 250	8612	199	8729	122
8314	146	8411	129	8613	199	8730	122
8316	146	8413	129	8614	199	8781	180, 215
8320	146	8414	129	8615	199	8814	75
8321	146	8421	131, 276	8616	199	8815	75
8322	146	8429	127	8617	124	8821	216
8323	146	8430	127	8618	124	8822	216
8324	146	8431	131, 276	8619	260	8823	216
8326	146	8432	131, 276	8620	203	8824	216
8327	146	8438	130, 288	8621	204, 215	8825	216
8329	19, 21, 25, 27, 29, 31, 146	8449	131, 276	8622	203	8826	216
8331	123	8450	131, 276	8625	205	8827	216
8332	123	8453	131, 276	8627	78, 205	8828	216
8333	123	8454	131, 276	8628	78, 205	8829	216
8334	123	8463	11, 131, 276	8631	264	8830	216
8335	123	8464	131, 276	8632	123	8831	216
8336	19, 21, 35, 37, 39, 41, 43, 45, 125	8465	131, 276	8633	123	8832	216
8337	19, 21, 33, 35, 37, 39, 41, 43, 45, 125	8466	131, 276	8634	35, 37, 39, 41, 43, 45, 125	8833	216
		8470	130, 131, 269, 276	8636	267	8834	216
		8471	130, 131, 276	8647	25, 27, 29, 31, 128	8835	216
		8472	130, 131, 211, 276	8649	206	8836	216
		8474	130, 131, 276	8650	206	8837	216
		8475	130, 131, 276	8651	206	8838	216
				8652	242	8839	216
				8655	206	8840	216
						8841	216
						8842	216

PN	PAGE #	PN	PAGE #	PN	PAGE #	PN	PAGE #
8843	216	8923	25, 27, 29, 31, 128	9038	249	9107	247
8844	216	8928	64	9039	246	9108	247
8845	216	8928QS	21, 25, 27, 29, 31, 64	9042	249	9109	248
8846	216	8938	260	9043	208	9114	233
8847	216	8939	131, 276	9046	235	9115	233
8848	216	8940	131, 276	9048	248	9116	233
8849	216	8941	15, 17, 65	9049	141, 245	9117	236
8850	216	8942	65	9050	235, 248	9118	148, 256
8851	216	8943	65	9051	235	9121	142, 246
8852	216	8944	65	9052	235	9123	\$9.60
8853	216	8945	131, 276	9053	250	9124	142, 246
8854	216	8946	65	9054	250	9125	141, 245
8855	216	8947	65	9055	250	9127	247
8856	216	8949	131, 276	9056	250	9134	256
8857	216	8952	131, 276	9057	250	9140	247
8858	216	8956	25, 29, 128	9058	250	9141	141, 245
8859	216	8959	264	9059	250	9142	248
8860	216	8969	7, 11, 131, 276	9060	250	9143	248
8861	216	8972	131, 276	9061	250	9144	142, 246
8862	216	8986	11, 131, 276	9062	233, 250	9146	235
8863	216	8987	131, 276	9063	250	9147	235
8864	216	9001	208	9064	250	9148	235
8865	216	9002	230, 246, 247, 248	9065	233	9149	236
8866	216	9003	230	9066	141, 233, 246	9150	93, 241
8867	216	9004	230, 247, 248	9067	233	9151	235
8868	216	9005	230	9068	233	9152	235
8869	216	9007	235	9069	233	9153	235
8870	216	9010	141, 245, 246, 258	9070	233	9154	232
8871	216	9012	141, 142, 144, 230, 235, 245, 246	9071	250	9155	149
8884	216	9013	248	9080	251, 252	9157	231, 232
8885	180, 215	9014	248	9081	251, 252	9158	231, 232
8886	216	9015	248	9082	141, 246	9160	141, 245
8887	216	9016	248	9083	251, 252	9161	231, 232
8888	216	9017	248	9084	251, 252	9163	247
8890	265, 273	9019	236	9085	251, 252	9164	248
8907	146	9021	249	9086	251, 252	9165	248
8908	146	9023	236	9087	252	9166	142, 246
8909	146	9024	249	9088	251	9167	232, 234
8912	131, 276	9025	233, 236, 249	9089	251	9168	232, 234
8913	131, 276	9026	141, 245	9090	251	9169	232, 234
8914	131, 276	9027	235	9093	248	9171	142, 246
8917	5, 7, 9, 132, 287	9028	93, 96, 241	9094	248	9172	239
8918	5, 7, 9, 130, 288	9029	141, 142, 144, 245, 246	9095	248	9173	239
8919	5, 7, 9, 132, 288	9035	249	9097	156, 247	9177	243
8920	130, 288	9036	249	9098	247, 248	9180	236
8921	7, 11, 131, 276	9037	249	9105	247	9184	249
8922	131, 276			9106	247, 248	9186	93, 241

PN	PAGE #	PN	PAGE #	PN	PAGE #	PN	PAGE #
9187	148, 247	9310	226	9368	275	9491	73
9188	148, 247	9311	232	9370	275	9492	73
9224	129	9312	232	9372	76, 272	9499	70, 71, 72, 73
9234	208	9313	237	9373	76	9567	279
9235	208	9314	237	9374	76, 272	9568	279
9236	208	9315	234	9377	265, 273	9569	279
9237	237	9316	202	9378	74	9570	271
9240	284	9317	92, 239	9390	260	9571	271
9242	284	9318	232	9391	260	9572	271
9243	240	9319	232	9392	260	9575	263
9244	284	9320	231	9395	70, 71, 72, 73, 76, 272	9576	262
9245	284	9323	237	9400	328	9577	263
9247	286	9324	234	9401	328	9578	263
9248	286	9325	202	9402	330	9579	263
9249	286	9326	93, 241	9404	166, 330	9580	263
9254	286	9327	242	9405	328	9581	262
9257	232	9328	235	9406	328	9582	262
9258	286	9329	139, 143	9407	328	9583	262
9260	283	9330	177	9408	328	9584	271
9270	211	9331	177	9410	231	9587	283
9275	148, 256	9332	177	9411	230	9588	283
9276	329	9333	177	9412	230	9589	283
9277	222	9334	237	9413	230	9601	96
9279	211	9335	237	9414	327	9602	144
9280	211	9336	237	9415	326	9603	75
9281	211	9337	237	9420	310	9604	75
9282	211	9338	189	9423	311	9614	112
9283	211	9339	189	9424	311	9615	112
9284	211	9340	207	9425	311	9616	112
9285	211	9341	189, 319	9475	73	9617	112
9286	91, 93, 204, 241	9342	189, 319	9476	73	9631	124
9287	91, 204	9343	189	9477	73	9632	112
9288	202	9347	93, 241	9478	73	9633	112
9289	203, 269	9348	71, 74	9479	73	9634	112
9290	239	9350	199, 305	9480	73	9648	87, 96
9292	239	9351	199, 305	9481	24, 26, 28, 30, 32, 34, 36, 38, 40, 42, 44, 46, 48, 73	9649	170
9293	239	9352	199	9482	73	9651	87, 96
9298	239	9353	199	9483	3, 5, 7, 15, 17, 23, 73	9659	96
9299	239	9356	210	9484	73	9670	87, 96
9302	226	9358	70, 71, 74	9485	73	9674	88, 89, 96
9303	311	9359	74	9486	73	9675	134
9304	261	9360	76, 272	9487	73	9677	96
9305	237	9361	76, 272	9488	73	9700	203
9306	237	9362	76, 272	9489	73	9704	92
9307	237	9363	76, 272	9490	73	9705	202
9308	231, 237	9364	260, 273			9706	202
9309	231, 237	9365	275			9741	144

PN	PAGE #	PN	PAGE #
9746	144, 258	9902	71
9750	134		
9784	176		
9785	176		
9786	176		
9787	176		
9789	144		
9790	172		
9796	134, 170		
9797	144		
9833	134		
9872	73		
9873	73		
9874	73		
9875	73		
9876	3, 5, 7, 15, 17, 23, 71		
9877	71		
9878	24, 26, 28, 30, 32, 34, 36, 40, 42, 44, 46, 48, 71		
9879	71		
9880	71		
9881	3, 5, 7, 15, 17, 23, 71		
9882	71		
9883	24, 26, 28, 30, 32, 34, 36, 40, 42, 44, 46, 48, 71		
9884	71		
9885	3, 5, 7, 15, 17, 23, 70		
9886	24, 26, 32, 34, 36, 46, 70		
9887	70		
9888	70		
9889	3, 5, 7, 15, 17, 23, 70		
9890	70		
9891	24, 26, 32, 34, 36, 38, 46, 70		
9892	70		
9893	70		
9894	70		
9895	71		
9896	71		
9897	71		
9898	24, 26, 28, 30, 32, 34, 36, 38, 40, 42, 44, 46, 48, 71		
9899	71		
9900	3, 5, 7, 15, 17, 23, 71		
9901	71		

A-DEC® PN	DESCRIPTION	DCI PN
0.02060201	O-Rings to fit A-dec®/W&H Roto Quick Couplers; Pkg of 3	4736
0.02201800	5-Hole HP Gasket	0124
0.02207300	6-Pin HP Gasket	4710
0.02207610	Bulb to fit A-dec®/W&H Handpieces, 3.5 V 750MA	9361
1.02675200	In-line Filter to fit A-dec®/W&H Assistina, 1/4"	2814
001.002.00	Screw, Slotted Truss Head, 2-56 x 1/8, Stainless Steel; Pkg of 10	9025
001.010.00	Screw, Socket Head, 6-32 x 5/8, Zinc; Pkg of 25	9056
001.021.00	Screw, Socket Head, 4-40 x 1/2, Stainless Steel; Pkg of 25	9061
001.023.00	Screw, Phillips Pan Head, 6-32 x 1-1/4, Stainless Steel; Pkg of 25	9128
001.024.00	Screw, Socket Head, 4-40 x 3/8, Stainless Steel; Pkg of 25	9060
001.026.00	Screw, Socket Head, 6-32 x 7/8, Stainless Steel; Pkg of 25	9057
001.033.00	Screw, Socket Head, 6-32 x 3/8, Zinc; Pkg of 25	9054
001.034.00	Screw, Socket Head, 6-32 x 1/4, Zinc; Pkg of 10	9021
001.034.01	Screw, Socket Head, 6-32 x 1/4, Zinc; Pkg of 25	9058
001.042.00	Screw, Socket Head, 6-32 x 1/2, Zinc; Pkg of 25	9055
001.070.00	Screw, Socket Head, 2-56 x 1/2, Zinc; Pkg of 25	9063
001.073.00	Screw, Slotted Pan Head, 6-32 x 1/4, Zinc; Pkg of 10	9024
001.089.00	Screw, Socket Head, 1/4-20 x 5/8, Zinc; Pkg of 25	9064
002.011.00	Screw, Socket Head, 6-32 x 1, Stainless Steel; Pkg of 25	9071
002.024.00	Screw, Socket Head, 4-40 x 3/4, Zinc; Pkg of 25	9062
002.097.00	Screw, Socket Button Head, 4-40 x 5/16, Stainless Steel	9051
003.078.00	Screw, Socket Head, 4-40 x 1/4, Zinc; Pkg of 25	9059
004.005.01	10-32 Washer, Plastic; Pkg of 100	0072
004.036.00	Washer, Nylon, .142 I.D. x .312 O.D.; Pkg of 50	9042
004.057.00	Brass Washer; Pkg of 10	9171
004.137.00	Washer for Water Bottle Cap	8136
007.001.00	Setscrew, Socket, 6-32 x 1/8, Stainless Steel	9065
007.002.00	Setscrew, Socket, 6-32 x 3/16, Stainless Steel; Pkg of 10	9022
007.051.00	Screw, Socket Cap Set, 10-32 x 1/2 Steel	9833
009.005.00	Ball Driver, 3/32"	9700
009.008.00	Hemostat	9325

A-DEC® PN	DESCRIPTION	DCI PN
009.013.00	O-Ring Tool Kit	9316
009.015.00	Umbilical Tubing Stringer, 12'	8094
009.018.00	Hex Wrench Set, Standard	9705
009.035.00	Tubing Stripper	8621
010.002.00	Retaining Ring, External, .18 I.D.; Pkg of 10	9035
010.013.00	Retaining Ring, Internal, 3/8 O.D.; Pkg of 10	9036
010.017.00	Retaining Ring, Internal, 1/4 O.D.; Pkg of 10	9037
010.019.00	Retaining Ring, External, .094 I.D.; Pkg of 10	9038
010.056.00	Foot Control Tower Spring Clip	6095
011.016.00	Foot Control Dowel Pin	0911
011.024.00	Pin, Dowel, .062 x .460; Pkg of 10	9032
011.038.01	Pin, Dowel, .062 x .430; Pkg of 10	9033
011.039.00	Pin, Dowel, .062 x .450; Pkg of 10	9034
013.004.00	Compression Spring, .88 x .420 O.D. x .037 Wire Dia.; Pkg of 10	9122
013.011.00	Compression Spring; Pkg of 10	9125
013.019.00	Compression Spring, .45 x .175 O.D. x .016 Wire Dia.; Pkg of 10	9124
013.022.00	Spring for FC II; Pkg of 10	9026
013.025.00	Spring Helical Comp.; Pkg of 10	9027
013.032.00	Spring, Conical .260 / .350 O.D.; Pkg of 10	9095
013.038.00	Syringe Button Spring, Conical; Pkg of 10	9028
017.007.01	Foot Control Bumper Pad, Gray; Pkg of 28	8070
018.022.00	Plug Hole, Domed; Pkg of 10	9176
021.004.00	1/8" MPT Hex Nipple	0094
021.007.00	1/4" MPT x FPT Street Elbow	0840
021.010.00	1/8" MPT Pipe Plug, Hex Head	0097
021.012.00	1/4" x 1/8" MPT Reducing Nipple	0836
021.014.00	1/8" FPT Cross	0096
021.016.01	10-32 Hex Plug; Pkg of 100	0189
021.016.04	10-32 Hex Plug; Pkg of 10	0073
021.020.00	1/8" MPT Pipe Plug, Socket Head	0099
021.027.00	10-32 Cross Connector, Female	0064
021.028.00	1/4" MPT Pipe Plug, Hex Head	0159
021.029.00	10-32 x 1/8" MPT Bushing	0091
021.030.00	1/4" FPT x 1/8" FPT Reducing Coupler	0133

A-dec®, Cascade®, Century Plus®, Century®, Continental®, Decade®, Performer®, Preference®, Preference Collection®, Radius®, A-dec 500® and A-dec 300® are registered trademarks of A-dec®, Inc. DCI has no affiliation with A-dec and A-dec has not authorized DCI replacement parts to be used on or in connection with A-dec® products.



A-DEC® PN	DESCRIPTION	DCI PN
021.032.00	1/8" Coupler, Female	0092
021.034.01	10-32 Connector Female; Pkg of 5	0063
021.042.00	1/8" MPT Adapters x 3/8" Compression Tube	0100
022.001.00	FTG 1/4 Poly x 1/8 MPT	0053
022.003.00	1/4" Poly x 1/8" MPT Elbow	0061
022.005.01	1/4" Poly Sleeve; Pkg of 10	0023
022.009.00	1/4" Poly Plug; Pkg of 5	0025
022.014.00	3/8" Poly Nut & Sleeve; Pkg of 5	0020
022.015.01	3/8" Poly Sleeve; Pkg of 10	0022
022.016.00	1/4" Poly x 1/8" FPT	0057
022.019.00	1/4" Poly Tee	0036
022.021.00	3/8" Poly x 1/8" MPT	0051
022.023.00	3/8" Poly x 1/4" FPT	0055
022.025.00	3/8" Poly x 1/8" MPT Elbow	0059
022.027.00	1/4" Poly x 1/4" FPT	0056
022.028.00	3/8" Poly x 1/4" MPT	0050
022.029.00	1/4" Poly Nut & Sleeve; Pkg of 5	0021
022.039.00	1/4" Poly Union	0032
022.043.00	3/8" Poly x 3/8" Compression Tube	0864
022.044.00	3/8" Poly Union	0031
022.045.00	3/8" Poly Tee	0035
023.001.00	10-32 x 1/8", Barb; Pkg of 100	0188
023.001.03	1/8" Barb, Washer and Sleeve Kit; Pkg of 10	0075
023.004.03	1/16" Barb, Washer and Sleeve kit; Pkg of 10	0074
023.004.04	10-32 x 1/16", Barb; Pkg of 100	0187
023.005.01	1/16" Barb x 1/8" MPT	0067
023.014.02	1/16" Barb Tee, Plastic; Pkg of 10	0082
023.019.03	1/16" In-line Barb; Pkg of 10	0077
023.022.01	1/8" Barb x 10-32 Female x 1/8" Barb Tee; Pkg of 5	0076
023.029.00	1/8" x 1/4" Barb Adapter Kit	9111
023.030.02	1/8" Barbed Tubing Plugs; Pkg of 10	0066
023.045.04	1/8" In-line Barb; Pkg of 10	0078
023.057.01	1/4" Barbed Tubing Plugs; Pkg of 10	0105
023.070.00	Barb Restrictor 1/16 x 10-32	13886

A-DEC® PN	DESCRIPTION	DCI PN
023.088.00	1/4 Q.D. Barb to fit A-dec® 500 & 300 Control Block, Vinyl Tubing	9336
023.094.01	1/16" x 1/16" Inline Tubing Q.D., Swivel, Assy; Pkg of 5	0868
023.095.01	1/8" x 1/8" Inline Tubing Q.D., Swivel, Assy; Pkg of 5	0866
023.805.01	10-32 x 5/16", Barb; Pkg of 10	0171
024.010.00	Vacuum Tubing, 1-1/4" I.D., Corrugated Gray	706
024.015.00	Supply Tubing, 1/8", Poly Clear	1203
024.015.01	Supply Tubing, 1/8", Poly Clear; Roll of 100 ft.	1203R
024.028.00	Vacuum Tubing, 3/4" I.D., Corrugated Gray	704
024.037.00	Vacuum Tubing, 5/8" I.D., Corrugated Gray	703
024.071.00	FC Tubing, 5 Hole, Poly Gray	512
024.071.01	FC Tubing, 5 Hole, Poly Gray; Roll of 100 ft.	512R
024.074.00	Vacuum Tubing, 1" I.D., Corrugated Gray	705
024.076.00	Vacuum Tubing, 1-1/2" I.D., Corrugated Gray	707
024.090.04	Supply Tubing, 1/4", Poly Gray	1405
024.122.00	HP Tubing, 4 Hole, Asepsis Straight Black	431
024.123.00	HP Tubing, 4 Hole, Asepsis Straight Gray	432
024.130.00	HP Tubing, 3 Hole, Asepsis Straight Black	321
024.131.00	HP Tubing, 3 Hole, Asepsis Straight Gray	322
024.142.03	Saliva Ejector Tubing, 3/16" I.D., Vinyl Dark Surf	5615
024.144.03	Vacuum Tubing, 1/2" I.D., Smooth Asepsis Dark Surf	737
024.148.01	HP Tubing, 4 Hole, Asepsis Straight Dark Surf	435
024.148.04	HP Tubing, 4 Hole, Asepsis Straight Dark Surf; Roll of 100 ft.	435R
024.151.03	FC Tubing, 5 Hole, Poly Dark Surf	511
024.155.02	Syringe Sheath Tubing, 3 Hole, Dark Surf	645
024.202.01	Foot Control Sheath Tubing, 5 Hole, Asepsis, Dark Surf	653
024.218.03	Saliva Ejector Tubing, 3/16" I.D., Vinyl Gray	5601
024.220.01	Vacuum Tubing, 1/2" I.D., Corrugated Gray	701
024.221.01	Vacuum Tubing, 1/2" I.D., Smooth Asepsis Gray	733
024.223.02	Syringe Sheath Tubing, 3 Hole, Gray	646
024.229.01	Foot Control Sheath Tubing, 5 Hole, Asepsis, Gray	654
024.232.01	Vacuum Tubing, 1-3/4" I.D., Corrugated Gray	708
025.002.01	Cable Tie, Adjustable, 8"; Pkg of 10	8058
025.007.01	1/8" Uni-Clamp, 2-Piece; Pkg of 10	0089

A-dec®, Cascade®, Century Plus®, Century®, Continental®, Decade®, Performer®, Preference®, Preference Collection®, Radius®, A-dec 500® and A-dec 300® are registered trademarks of A-dec®, Inc. DCI has no affiliation with A-dec and A-dec has not authorized DCI replacement parts to be used on or in connection with A-dec® products.

A-DEC® PN	DESCRIPTION	DCI PN
025.007.02	1/8" Uni-Clamp, 2-Piece; Pkg of 100	0199
025.015.01	1/4" Clamp Sleeve; Pkg of 10	0070
025.015.02	1/4" Clamp Sleeve; Pkg of 100	0197
025.019.01	Cable Tie-Mount, Adjustable; Pkg of 10	8045
025.036.01	Cable Tie, Adjustable, 4"; Pkg of 10	8054
026.001.00	1/4" Poly Q.D. Panel Mount w/ Shut-off, Female	0011
026.007.00	3/8" Q.D. Female x 1/4" MPT w/ Shut-off	0016
026.015.00	1/4" Q.D. Female x 1/8" MPT w/ Shut-off	0018
026.020.00	1/4" Poly Q.D. w/ Shut-off, Male 1/4"	0014
026.022.00	3/8" Poly Q.D. Panel Mount w/ Shut-off, Female	0010
026.029.00	1/4" Q.D. Female x 1/4" MPT w/ Shut-off	0017
026.033.01	Syringe Valve Cores; Pkg of 10	3090
026.035.00	1/4" Poly Q.D. w/o Shut-off, Male	0015
026.036.00	Valve Mounting Bracket, Single	7078
026.040.00	3/8" Poly Q.D. w/o Shut-off, Male	0013
026.043.00	3/8" Poly Q.D. w/ Shut-off, Male	0012
026.062.00	Manual Shut-Off Valve, 1/2" Compression x 3/8" Compression	7099
026.065.00	1/4" Q.D. Panel Mount x 10/32 w/ Shut-off, Female	0006
026.066.00	Air Filter Moisture Separator w/ 5 Micron Filter	7239
026.073.02	Check Valve	7081
026.074.00	Shuttle Valve, 1/8"	7090
026.083.01	Rectangular Air Gauge	7270
026.118.00	Round Pressure Gauge, Panel Mount, 0-100 PSI	7265
026.125.00	Female Q.D. to fit A-dec®, Self Contained Water	9172
026.130.00	Q.D. Kit to fit A-dec®, Air	9290
026.132.00	Female Q.D. to fit A-dec®, Air	9291
026.134.00	Q.D. Kit to fit A-dec®, City Water	9292
026.157.00	Female Q.D. to fit A-dec®, City Water	9173
026.158.00	Manual Shut-Off Valve, 1/2" FPT Inlet	7100
026.160.01	Plug to fit A-dec® 500 & 300 Control Block; Pkg of 5	9237
026.161.00	1/8 Q.D. Barb to fit A-dec® 500 & 300 Control Block, Vinyl Tubing	9337
026.174.01	1/8 Q.D. Barb to fit A-dec® 500 & 300 Control Block; Pkg of 5	9334

A-DEC® PN	DESCRIPTION	DCI PN
026.175.01	3/16 Q.D. Barb to fit A-dec® 500 & 300 Control Block; Pkg of 5	9335
028.008.00	Plug, Solids Collector, Red, 1/2" O.D. x 1/4" I.D.; Pkg of 10	9177
030.001.02	O-Ring, Buna-n, .029 I.D. x .040 Width, -001; Pkg of 12	2225
030.002.02	O-Ring, Buna-n, .042 x .050 Width, -002; Pkg of 12	2230
030.003.02	O-Ring, Buna-n, .056 I.D. x .060 Width, -003; Pkg of 12	2201
030.004.02	O-Ring, Buna-n, .070 I.D. x .070 Width, -004; Pkg of 12	2229
030.005.02	O-Ring, Buna-n, .101 x .070 Width, -005; Pkg of 12	2231
030.006.02	O-Ring, Buna-n, .114 I.D. x .070 Width, -006; Pkg of 12	2203
030.007.00	O-Ring, Buna-n, .145 I.D. x .070 Width, -007; Pkg of 12	2232
030.008.00	O-Ring, Buna-n, .176 I.D. x .070 Width, -008; Pkg of 12	2205
030.009.01	O-Ring, Buna-n, .208 I.D. x .070 Width, -009; Pkg of 12	2233
030.010.00	O-Ring, Buna-n, .239 I.D. x .070 Width, -010; Pkg of 12	2214
030.011.02	O-Ring, Buna-n, .301 I.D. x .070 Width, -011; Pkg of 12	2234
030.012.02	O-Ring, Buna-n, .364 I.D. x .070 Width, -012; Pkg of 12	2210
030.013.02	O-Ring, Buna-n, .426 I.D. x .070 Width, -013; Pkg of 12	2207
030.014.02	O-Ring, Buna-n, .489 I.D. x .070 Width, Pkg of 12	2312
030.015.02	O-Ring, Buna-n, .551 x .070 Width, -015; Pkg of 12	2235
030.016.00	O-Ring, Buna-n, .614 I.D. x .070 Width, -016; Pkg of 12	2236
030.017.00	O-Ring, Buna-n, .676 I.D. x .070 Width, -017; Pkg of 12	2237
030.018.00	O-Ring, Buna-n, .739 I.D. x .070 Width, -018; Pkg of 12	2215
030.019.03	O-Ring, Buna-n, .801 I.D. x .070 Width, -019; Pkg of 12	2238
030.020.00	O-Ring, Buna-n, .864 I.D. x .070 Width, -020; Pkg of 12	2223
030.021.02	O-Ring, Buna-n, .926 I.D. x .070 Width; Pkg of 12	2270
030.023.02	O-Ring, Buna-n, 1.051 I.D. x .070 Width, -023; Pkg of 12	2239
030.026.01	O-Ring, Buna-n, 1.239 I.D. x .070 Width, Pkg of 12	2310
030.034.02	O-Ring, Buna-n, 2.114 I.D. x .070 Width, -034; Pkg of 12	2240
030.110.00	O-Ring, Buna-n, .362 I.D. x .103 Width, -110; Pkg of 12	2241

A-dec®, Cascade®, Century Plus®, Century®, Continental®, Decade®, Performer®, Preference®, Preference Collection®, Radius®, A-dec 500® and A-dec 300® are registered trademarks of A-dec®, Inc. DCI has no affiliation with A-dec and A-dec has not authorized DCI replacement parts to be used on or in connection with A-dec® products.



A-DEC® PN	DESCRIPTION	DCI PN
033.003.01	O-Ring, Viton, .056 I.D. x .060 Width; Pkg of 12	2305
033.014.00	O-Ring, Viton, .489 I.D. x .070 Width, -014; Pkg of 12	2243
034.002.01	O-Ring, Viton, .042 I.D. x .050 Width, -002; Pkg of 12	2261
034.012.01	O-Ring, Viton, .364 I.D. x .070 Width, -012; Pkg of 12	2257
034.013.01	O-Ring, Viton, .426 I.D. x .070 Width, -013; Pkg of 12	2254
034.014.01	O-Ring, Ethylene Propylene, .489 I.D. x .070, -014; Pkg of 12	2228
034.107.01	O-Ring, Ethylene Propylene, .206 I.D. x .103 Width; Pkg of 12	2298
035.003.01	O-Ring, Buna-n, .029 I.D. x .040 Width; Pkg of 12	2245
035.004.01	O-Ring, Buna-n, .240 I.D. x .033 Width; Pkg of 12	2244
035.025.01	O-Ring, Buna-n, .070 I.D. x .040 Width; Pkg of 12	2211
035.048.01	O-Ring, Viton, .114 I.D. x .070 Width, -006; Pkg of 12	2242
035.050.01	O-Ring, Viton, .070 I.D. x .040 Width; Pkg of 12	2263
036.003.00	Supply Tubing, 1/8", Poly Yellow	1208
036.003.01	Supply Tubing, 1/8", Poly Yellow; Roll of 100 ft.	1208R
036.004.00	Supply Tubing, 1/8", Poly Blue	1202
036.004.01	Supply Tubing, 1/8", Poly Blue; Roll of 100 ft.	1202R
036.005.00	Supply Tubing, 1/8", Poly Red	1207
036.005.01	Supply Tubing, 1/8", Poly Red; Roll of 100 ft.	1207R
036.011.00	Tubing 1/8 Poly Purple 100' RL	1211
036.011.01	Tubing 1/8 Poly Purple 100' RL	1211R
036.019.00	Supply Tubing, 1/8", Poly White	1209
036.019.01	Tubing 1/8 Poly White 100' RL	1209R
036.020.00	Supply Tubing, 1/8", Poly Black	1201
036.020.01	Supply Tubing, 1/8", Poly Black; Roll of 100 ft.	1201R
036.026.00	Supply Tubing, 1/8", Poly Gray	1205
036.026.01	Supply Tubing, 1/8", Poly Gray; Roll of 100 ft.	1205R
036.031.00	Supply Tubing, 3/8", Poly Yellow	1608
036.031.01	Supply Tubing, 3/8", Poly Yellow; Roll of 100 ft.	1608R
036.033.02	Supply Tubing, 3/8", Poly Blue	1602
036.034.00	Supply Tubing, 3/8", Poly Gray	1605
036.034.01	Supply Tubing, 3/8", Poly Gray; Roll of 100 ft.	1605R
036.043.00	Supply Tubing, 1/4", Poly Dark Surf	1418

A-DEC® PN	DESCRIPTION	DCI PN
036.043.01	Supply Tubing, 1/4", Poly Dark Surf; Roll of 100 ft.	1418R
036.052.00	Supply Tubing, 1/4", Poly Orange	1406
036.053.00	Supply Tubing, 1/4", Poly Blue	1402
036.053.01	Supply Tubing, 1/4", Poly Blue; Roll of 100 ft.	1402R
036.066.00	Supply Tubing, 1/4", Poly Clear	1403
036.103.03	Supply Tubing, 1/4", Poly Yellow	1408
036.114.01	Supply Tubing, 5/16", Poly Yellow	1708
036.115.01	Supply Tubing, 5/16", Poly Orange	1706
036.116.01	Supply Tubing, 5/16", Poly Blue	1702
041.059.00	Multi-Function Foot Switch Push-Button Switch	9260
041.119.00	Multi Function Foot Switch Rocker Switch	2810
041.264.00	Starter, Fluorescent Light	9375
041.265.00	Ballast, 120V, Task Light, Fluorescent	9376
041.317.00	Bulb to fit A-dec® Power Optic HP Tubing, 3.5V 750MA	9363
90.1043.00	Switch 3 Position Replaced by 2885	9183
041.372.00	Potentiometer	9258
041.513.00	Light Bulb, 12 VAC 55 Watt	8688
041.709.00	Bulb to fit A-dec® Light, 6300, 17 VAC 95 Watt	9364
042.583.00	CPU Vent	6819
042.584.00	Delta Soap Dispenser, Chrome	9302
042.586.00	Soap Dispenser Bottle Replacement	9310
043.001.00	Tray, Stainless Steel, 9-3/4" x 13-1/2"	8013
044.158.00	Air Electric Switch, 10 PSI, Normally Open	7084
044.159.00	Air Electric Switch, 10 PSI, Normally Closed	7089
044.181.00	Air Electric Switch, 25 PSI, Normally Open	7080
044.183.00	Chair Limit Switch to fit A-dec®, Stop Function	9244
044.184.00	Chair Limit Switch	2794
044.184.01	Chair Limit Switch to fit A-dec®, Base or Back Function	9240
046.123.00	Circuit Breaker to fit A-dec®, Cascade 6300, 10 Amp	2888
049.004.01	Valve Cleaning HVE Brush; Pkg of 5	5620
049.005.01	Valve Cleaning Surgical Suction Tip Brush, Pkg of 5	5622
060.002.00	Loctite, Threadlock 242, .34 oz	8021
10.0010.02	High Volume Suction Aspirator Tip	5355

A-dec®, Cascade®, Century Plus®, Century®, Continental®, Decade®, Performer®, Preference®, Preference Collection®, Radius®, A-dec 500® and A-dec 300® are registered trademarks of A-dec®, Inc. DCI has no affiliation with A-dec and A-dec has not authorized DCI replacement parts to be used on or in connection with A-dec® products.

A-DEC® PN	DESCRIPTION	DCI PN
10.0440.00	Foot Control Spring, .093 O.D.; Pkg of 10	9029
10.0600.00	Stem w/ O-Ring (Button) AVS Locking to fit A-dec®	9174
11.0440.00	Dry Oral Cup	5840
11.0490.00	Dry Oral Cup Liners; Pkg of 1000	5845
11.1075.00	Replacement A-dec® Autoclavable Short Vacuum Valve w/ Quick Disconnect	5060
11.1105.00	Air Saliva Ejector Kit	5255
11.1177.00	Replacement A-dec® Autoclavable Extended Vacuum Valve w/ Quick Disconnect	5061
11.1191.00	Solids Collector Disposable Screen to fit A-dec® Cascade; Pkg of 144	6818
11.1284.01	Solids Collector Disposable Screen to fit A-dec® 500/300; Pkg of 144	5512
12.0183.00	Saliva Ejector Tip Push-on Autoclavable, Black	5750
12.0183.01	Saliva Ejector Tip Push-on Autoclavable, Gray	5754
12.0195.00	Saliva Ejector Tip Screw-on Autoclavable, Black	5740
12.0500.00	Water Saliva Ejector Kit	5256
12.0953.00	Air Pilot Valve, 2-Way, Normally Open	7071
12.1100.00	Replacement A-dec® Autoclavable Saliva Ejector w/ Quick Disconnect	5062
13.0375.00	Male Q.D. to fit A-dec®, Self Contained Water	9298
13.0381.00	Male Adjustable Q.D. to fit A-dec®, City Water	9299
13.0384.00	Male Q.D. to fit A-dec®, Air	24660
14.0010.00	AVS 1 Quart Bottle	5582
14.0416.00	750 ml Plastic Bottle w/ Cap & Pick-Up Tube	8128
16.0562.00	Storage Tub, Includes Hinge, Dividers, & Lid	8410
16.0566.00	Storage Tub Lid	8414
16.0568.00	Storage Tub Hinge	8413
19.0100.00	In-Line Filter, 10-32 Port	7251
19.0220.01	Filter Disc, Bronze, 5/8 O.D. x 1/16; Pkg of 5	9039
19.0230.00	Spring, Compression, .560 O.D. x .65; Pkg of 10	9127
22.0040.00	Spring Compression .30" O.D. Pkg of 10	9030
22.0060.00	Foot Control Poppet, Plastic; Pkg of 10	9010
22.0083.00	Piston Assy to fit A-dec® Foot Control	9160
22.0110.00	Foot Control Cover	6070
22.0135.00	Compression Spring; Pkg of 10	9123
22.0440.02	Diaphragm, 1"; Pkg of 10	9002

A-DEC® PN	DESCRIPTION	DCI PN
22.0460.00	Spring, Conical .255/.295 O.D.; Pkg of 10	9098
22.0462.00	Toggle Only, Detented, Black	7058
22.0462.01	Toggle Only, Detented, Gray	7064
22.0580.00	Compression Spring; Pkg of 10	9066
22.0774.01	Diaphragm to fit A-dec® Century Pac; Pkg of 10	9003
22.0776.00	Water Coolant Valve Stem to fit A-dec® Auto-Pac & Auto Block; Pkg of 3	9165
22.0778.00	Foot Control Relay Valve Stem w/ O-Rings	6098
22.0780.00	Syringe Tubing, 2-Hole, Straight Black	221
22.0999.00	Air Coolant Valve Stem, to fit A-dec® Auto-Pac & Auto Block	9164
23.0020.02	Syringe Button, Valve Core	3080
23.0039.00	Syringe Lever, Left, Plastic	2035
23.0041.00	Syringe Lever, Right, Plastic	2034
23.0048.00	Syringe Button, Lever Syringe	3070
23.0173.00	Double Flow Restrictor	9317
23.0196.01	Gasket to fit A-dec® Recirculator; Pkg of 5	9322
23.0198.01	Diaphragm to fit A-dec® Recirculator; Pkg of 5	9321
23.0230.00	Syringe Tubing, 2-Hole, Asepsis Coiled Black	231C
23.0230.01	Syringe Tubing, 2-Hole, Asepsis Coiled Gray	232C
23.0790.00	Syringe Tubing, 3-Hole, Coiled Black	331C
23.0790.01	Syringe Tubing, 3-Hole, Coiled Gray	332C
23.0872.00	Syringe Tip, Autoclavable, to fit A-dec® Syringes	3054
23.0872.01	Syringe Tip, Autoclavable, to fit A-dec® Syringes; Pkg of 5	3055
23.0872.02	Syringe Tip, Autoclavable, to fit A-dec® Syringes; Pkg of 50	3056
23.0886.00	Collet Cone, Brass; Pkg of 5	2041
23.0887.00	Collet Cone, Plastic	2040
23.1090.00	Syringe Tip Kit	3030
23.1093.00	Lever Syringe Repair Kit	9326
23.1193.00	Retaining Screw to fit A-dec® Syringes; Pkg of 5	9150
23.1232.01	Syringe Button Assy to fit A-dec® Syringes	9186
24.0100.03	Air On/Off Indicator, Red	7280
24.0128.01	Air Valve Repair Kit, White Body	9105
24.0129.00	Water Valve Repair Kit, Black Body	9093
24.0132.00	Piston w/O-Ring	9106

A-dec®, Cascade®, Century Plus®, Century®, Continental®, Decade®, Performer®, Preference®, Preference Collection®, Radius®, A-dec 500® and A-dec 300® are registered trademarks of A-dec®, Inc. DCI has no affiliation with A-dec and A-dec has not authorized DCI replacement parts to be used on or in connection with A-dec® products.



A-DEC® PN	DESCRIPTION	DCI PN
24.0135.00	Air Valve, Housing, White Body	9097
24.0136.01	5-Hole Gasket; Pkg of 10	9005
24.0137.01	9-Hole Gasket; Pkg of 10	9004
24.0170.01	Single Shut Off Valve Assembly & Filter, Air	9187
24.0175.01	Single Shut Off Valve Assembly & Filter, Water	9188
24.0182.02	Mini Regulator, 10-32 Input, Self-Relieving	7205
24.0229.00	Housing, Filter, Air/Water	9108
24.0234.00	Filter Element, 40 Micron	7247
24.0234.01	Filter Element, 40 Micron; Pkg of 6	7248
24.0251.01	Mini Regulator, 10-32 Input, Non-Relieving	7203
24.0355.00	Water Valve, Housing, Black Body	9094
28.0503.01	Light Shield to fit A-dec® 6300	9390
28.0566.00	Locking Tab to fit A-dec® Pivot Arm	9184
28.0758.00	Circuit Breaker 10 Amp	9304
28.1012.00	Light Shield Bracket Assy to fit A-dec® Cascade; Pkg of 2	8619
28.1584.00	Replacement A-dec® 6300 Track Flexarm Cable Assy for Lights after April 1, 2004	9578
28.1585.00	Replacement A-dec® 6300 Wall & Preference Mount Cable Assy for Lights after April 1, 2004	9577
28.1586.00	Replacement A-dec® 6300 Post Mount Cable Assy for Lights after April 1, 2004	9579
28.1587.00	Replacement A-dec® 6300 Ceiling Mount Cable Assy for Lights after April 1, 2004	9575
28.1604.00	Replacement A-dec® 6300 Track & Trolley Cable Assy for Lights after April 1, 2004	9580
28.2838.00	Light Cable Assy, to fit A-dec 571, 216"	9576
29.0050.01	Gasket, Clear to fit A-dec® Century Pac Auto Block; Pkg of 10	9009
29.0100.00	Drive Air Adjustment Screw to fit A-dec®; Pkg of 3	9023
29.0810.00	Micro Valve Stem w/ O-Rings, 2-Way to fit A-dec®	9013
29.0820.00	Micro Valve Stem w/ O-Rings, 3-Way to fit A-dec®	9014
29.0830.00	Stem w/ O-Rings 2-Way	9015
29.0831.00	Valve Stem, to fit A-dec® Century II Block, w/o Water Retraction	9050
29.0835.00	Valve Stem, to fit A-dec® Century II Block, w/ Water Retraction	9048
29.0840.00	Valve Stem w/O-Rings, to fit A-dec® Century II Toggle Cartridge, 3-Way	9016
29.0972.00	Valve Stem, to fit A-dec® Auto-Pac & Auto Block, Water Valve; Pkg of 3	9109
30.0731.00	Stem Shut Off Valve w/ O-Rings to fit A-dec®	9163

A-DEC® PN	DESCRIPTION	DCI PN
33.0008.01	Cup Filler Valve, Momentary, 2-Way, Black	7167
33.0009.00	Toggle Valve, Side Ported, 2-Way, Black	7040
33.0025.00	Air Bleed Valve, to fit A-dec® Excellence & IC Holders	9152
33.0025.01	Air Bleed Valve, to fit A-dec® Cascade Continental	9153
33.0034.01	Toggle Valve, Momentary, 2-Way, Normally Closed, Gray	7021
33.0036.00	Toggle Only, Momentary, Black	7028
33.0036.01	Toggle Only, Momentary, Gray	7065
33.0048.03	Toggle Valve, Side Port, 3-Way, Black	7155
33.0048.04	Toggle Valve, Side Port, 3-Way, Gray	7156
33.0080.00	Rear Ported Valve, 3-Way, Black	7160
33.0080.01	Rear Ported Valve, 3-Way, Gray	7161
33.0096.00	Rear Ported Valve, 2-Way, Black	7163
33.0103.00	Water Coolant Valve Stem to fit A-dec® Century II	9019
33.0104.03	Toggle Routing Valve, Side Ported, Black	7150
33.0104.04	Toggle Routing Valve, Side Ported, Gray	7151
33.0106.00	Stem w/ O-Rings Micro Selector	9018
33.0117.00	Air Coolant Valve Stem to fit A-dec® Century II	9180
33.0132.00	Air bleed Valve to fit A-dec® Unitized Holder, 90 Degree Barb	9151
33.0134.00	Foot Control Micro Valve Assy, 2-Way	6003
33.0138.00	Holder Valve, Auto HP, Normally Closed, Side Port	5948
34.0003.00	Poppet to fit A-dec® Vacuum Drain Actuator	9159
34.0043.00	Relay Valve, Tooth Dryer	9243
35.0574.01	Gasket to fit A-dec® Century II Supply Manifold; Pkg of 10	9008
35.0824.02	Chair Adapter to fit A-dec® Priority	8515
35.1742.00	Chair Adapter to fit A-dec® Cascade	8522
38.0054.02	Foot Control Diaphragm, 3/4"; Pkg of 10	9012
38.0074.01	Foot Control Toggle, Gray	6049
38.0075.00	Toggle F.C. Black	6100
38.0075.03	Foot Control Toggle Kit, Dark Surf	6113
38.0075.04	Foot Control Toggle Kit, Gray	9329
38.0087.00	Micro Valve Stem w/ O-Rings to fit A-dec®, 2-Way, Balanced	9017
38.0102.00	Needle Valve Stem to fit A-dec®, Fine Control, w/ O-Ring	9067

A-dec®, Cascade®, Century Plus®, Century®, Continental®, Decade®, Performer®, Preference®, Preference Collection®, Radius®, A-dec 500® and A-dec 300® are registered trademarks of A-dec®, Inc. DCI has no affiliation with A-dec and A-dec has not authorized DCI replacement parts to be used on or in connection with A-dec® products.

A-DEC® PN	DESCRIPTION	DCI PN
38.0104.00	Piston, to fit A-dec® Century Water Valve, w/ O-Ring	9069
38.0106.00	End Cap, to fit A-dec® Century Water Valve, w/ O-Ring	9068
38.0118.01	Gasket, to fit A-dec® Century Pac, 2.36 x .285; Pkg of 10	9047
38.0120.01	Diaphragm to fit A-dec® Century Pac, 1.240 x 2.375 x .013; Pkg of 10	9006
38.0178.00	Control Block Cover w/ Screws Only to fit A-dec® Century II	9328
38.0179.02	Diaphragm, to fit A-dec® Century II, Front Cap, 3/4 x 1"; Pkg of 10	9046
38.0186.02	Gasket to fit A-dec® Century II Control Block; Pkg of 10	9007
38.0193.01	Tie Bolt Kit, to fit A-dec® Century II, 3 block	9149
38.0194.01	Tie Bolt Kit, to fit A-dec® Century II, 4 block	9117
38.0208.00	Spring, Extension	9121
38.0211.00	Valve Stem Assy to fit A-dec® Foot Control	9166
38.0213.00	Foot Control Spool	6022
38.0223.02	Control Block to fit A-dec® Century II	9146
38.0237.00	Foot Control Retaining Ring, Dark Surf	6107
38.0246.00	Foot Control Stem Assy	6096
38.0319.00	Foot Control Shroud, No Holes, Gray	6047
38.0319.02	Foot Control Shroud, No Holes, Dark Surf	6102
38.0320.00	Foot Control Shroud, 1-Hole for Button, Gray	6057
38.0320.02	Foot Control Shroud, 1-Hole for Toggle, Dark Surf	6103
38.0321.00	Foot Control Shroud, 2-Hole, Gray	6053
38.0321.02	Foot Control Shroud, 2-Hole, Dark Surf	6104
38.0450.00	Foot Control, Standard w/ Signal Relay, Gray Tubing	6400
38.0451.00	Foot Control, Chip Blower w/ Signal Relay, Gray Tubing	6405
38.0452.00	Foot Control, Wet/Dry w/ Signal Relay, Gray Tubing	6410
38.0453.00	Foot Control, Scaler w/ Signal Relay, Gray Tubing	6420
38.0454.00	Foot Control, Wet/Dry & Chip Blower w/ Signal Relay, Gray Tubing	6415
38.0504.07	Tie Bolt Kit, to fit A-dec® Century Plus, 3 block	9114
38.0504.08	Tie Bolt Kit, to fit A-dec® Century Plus, 4 block	9116
38.0504.09	Tie Bolt Kit, to fit A-dec® Century Plus, 5 block	9115
38.0507.01	Gasket, Clear, to fit A-dec® Century Plus Control Block; Pkg of 10	9158

A-DEC® PN	DESCRIPTION	DCI PN
38.0510.00	Drive Air Stem to fit A-dec® Century Plus Control Block	9311
38.0516.00	Stem Flow w/ O-Ring Assy	9257
38.0517.00	Air Bleed Cartridge to fit A-dec® Century Plus; Pkg of 3	9167
38.0518.00	Flush Check Valve Cartridge to fit A-dec® Century Plus Control Block; Pkg of 3	9168
38.0519.01	Diaphragm to fit A-dec® Century Plus Control Block; Pkg of 10	9161
38.0520.00	Coolant Water Cartridge to fit A-dec® Century Plus Control Block; Pkg of 3	9169
38.0526.00	Air Coolant Stem w/ O-Ring to fit A-dec® 500	9313
38.0537.01	Service Kit to fit A-dec® Century Plus Control Block	9154
38.0550.01	Gasket, Red, to fit A-dec® Century Plus Control Block; Pkg of 5	9157
38.0604.00	Foot Control Toggle Assy, 3-Way, Dark Surf	6110
38.0610.00	Foot Control Button Assy for Chip Blower, 2-Way, Dark Surf	6111
38.0612.00	Foot Control Button Assy for Scaler, 3-Way, Dark Surf	6112
38.0648.00	Dry Block Kit to fit A-dec® Century Plus	9315
38.0711.01	Diaphragm to fit A-dec® Performer Control Block, Pkg of 5	9319
38.0763.00	Foot Control Shroud, 1-Hole for Button, Dark Surf	6106
38.1601.00	Foot Control, Wet/Dry & Scaler, Dark Surf	6306
38.1799.01	Cartridge Retaining Ring to fit A-dec® 500; Pkg of 5	9305
38.1780.00	Water Cartridge to fit A-dec® 500 Block Water Cartridge	9307
38.1783.00	Dry Cartridge to fit A-dec® 500 Block	9306
38.1785.01	Drive Air Stem to fit A-dec® 300/500 Control Block	9323
38.1787.01	Diaphragm to fit A-dec® 500 Control Block; Pkg of 5	9309
38.1808.01	Adjustment Key to fit A-dec® 500; Pkg of 4	9314
38.1832.00	Foot Control Toggle Assy, Gray	6132
38.1833.01	Diaphragm to fit A-dec® 300 Control Block; Pkg of 5	9308
39.0790.00	Non-Slip Pad, 6" x 11.5"	8222
40.0270.00	Syringe Water Heater, Air Actuated On/Off, 110/120 VAC	3211
40.0281.00	Flow Restrictor	7022
40.0756.01	Diaphragm to fit A-dec® Vacuum Drain; Pkg of 5	9318
40.0772.00	Stem to fit A-dec® Vacuum Valve w/ O-Ring	9162
40.0849.00	Cuspidor Bowl	5311

A-dec®, Cascade®, Century Plus®, Century®, Continental®, Decade®, Performer®, Preference®, Preference Collection®, Radius®, A-dec 500® and A-dec 300® are registered trademarks of A-dec®, Inc. DCI has no affiliation with A-dec and A-dec has not authorized DCI replacement parts to be used on or in connection with A-dec® products.



A-DEC® PN	DESCRIPTION	DCI PN
42.0085.00	Cuspidor Screen	5312
42.0537.03	Toggle Valve, Momentary, Rear Ported, 2-Way, Black	7168
42.0683.03	Toggle Valve, Momentary, Rear Ported, 2-Way, Gray	7169
42.0701.00	Valve Mounting Bracket, Double	7079
50.0056.00	Rubber Gasket 4-Hole Terminal	0123
50.0116.00	Gasket 3-Hole Terminal Rubber	0122
50.0271.00	Handpiece Pressure Tester w/ 0-60 PSI Gauge	7263
54.0014.00	Gasket to fit A-dec®/W&H Lisa Sterilizer	2186
54.0049.00	Water Pump to fit A-dec®/W&H Lisa Sterilizer	9303
54.0051.00	Vacuum Pump Service Kit to fit A-dec®/W&H Lisa Sterilizer (HX10P3)	9420
54.0066.01	Inline Water Filter to fit A-dec®/W&H Lisa Sterilizer	9422
54.0067.00	Air Intake Filter to fit A-dec®/W&H Sterilizer	2812
55.1934.00	Drawer Push Latch w/ Screws	6807
56.0339.00	Bracket 2 Position Assy 1/4 x 3/8	7113
61.0197.00	Hydraulic Oil	2691
61.1679.00	Toe Board Cover to fit A-dec® Model 1040	2806
61.2065.00	Chair Limit Switch, Back Function, to fit A-dec® Cascade 1040	9242
61.3048.00	Replacement Membrane to fit A-dec® Chair Foot Control	2943
65.0208.00	Assistant Stool Cylinder, 45mm Dia.	2962
65.0209.00	Assistant Stool Cylinder, 45mm Dia. to fit A-dec®	2963
65.0227.00	Doctor Stool Cylinder, 45mm Dia.	2964
65.1625.03	Caster, Soft Wheel for Hard Floors, Surf	2948
65.1625.04	Caster, Soft Wheel For Hard Floors, Gray	2946
75.0035.01	Cuspidor Screen 2 1/2", Gray; Pkg of 144	5313
75.0911.01	Diaphragm to fit A-dec® Air Switch Century Plus; Pkg of 5	9320
82.0305.02	Toggle Routing Valve, 2-Way, Gray	7001
90.0003.00	3/8" Compression Tube x 10-32 Female	7112
90.0010.00	Repair Kit to fit A-dec® Foot Control I	9141
90.0012.00	Service Kit to fit A-dec® Auto-Pac & Auto Block Air Valve	9142
90.0014.00	Service Kit to fit A-dec® Auto-Pac & Auto Block Water Valve	9143
90.0030.00	Service Kit to fit A-dec® Air Filter Regulator	9139

A-DEC® PN	DESCRIPTION	DCI PN
90.0040.00	Service Kit to fit A-dec® Air & Water Regulator	9145
90.0070.00	Service Kit to fit A-dec® Water Filter Regulator	9138
90.0090.00	Shut Off Valve Service Kit	9140
90.0304.00	Front Cap Kit to fit A-dec® Century II Control Block	9147
90.0312.00	Repair Kit to fit A-dec® Foot Control II	9049
90.0313.00	Repair Kit to fit A-dec® Foot Control, Lever Style	9144
90.0319.00	Repair Kit to fit A-dec® Vacuum Drain Actuator	9137
90.0321.00	Rebuild Kit to fit A-dec® Century II Block, w/o Water Retraction	9052
90.0370.00	Q.D. Kit to fit A-dec®, Bottled Water	9293
90.0460.03	750ml Water Bottle Kit	9327
90.0463.01	Lamp Socket to fit A-dec® 6300	2887
90.0593.00	Service Kit to fit A-dec® Foot Control III	9082
90.1031.00	Capacitor to fit A-dec® Chairs	9245
90.1039.00	Power Switch, 125 Vac 15 Amp	8114
90.1043.00	Intensity Switch to fit A-dec® 6300, High / Med / Low	2885
90.1053.00	Replacement A-dec® Cascade 6300 Cable Kit for Lights Prior to April 1, 2004	9583
90.1054.00	Replacement A-dec® Performer & Pre-Cascade 6300 Cable Kit from Light Through Flexarm to Postbox	9581
90.1314.00	Replacement Upgrade Toggle Kit A-dec® 371 Light Cable Assy	9582
97.0280.02	Wilkerson Filter Element & O-Ring	7226
98.0010.00	Tool to fit A-dec® Syringes	9286
98.0072.00	Sleeve Tool, Plastic, 1/8" & 1/4"	8060
98.0090.01	Lubricant, Silicone, .04 oz; Pkg of 5	8034
98.0180.00	3-Hole HP Metal Nut	121N
98.0190.00	4-Hole HP Nut Auto Tapered	120N
98.0261.01	ISO 5-Hole Power Optic HP Tubing, Coiled, Dark Surf	8760
98.0262.02	ISO 5-Hole Power Optic HP Tubing, 7', Dark Surf	8953
98.0262.14	ISO 5-Hole Power Optic HP Tubing, 12', Dark Surf	8955
98.0305.00	HP Tubing, 3-Hole w/ CT, Asepsis Coiled, Black	321CT
98.0305.01	HP Tubing, 3-Hole w/ CT, Asepsis Coiled, Gray	322CT
98.0310.00	3-Hole Terminal Metal Connector Only	0121
98.0445.00	HP Tubing, 4-Hole w/ CT, Asepsis Coiled, Black	431CT
98.0445.01	HP Tubing, 4-Hole w/ CT, Asepsis Coiled, Gray	432CT

A-dec®, Cascade®, Century Plus®, Century®, Continental®, Decade®, Performer®, Preference®, Preference Collection®, Radius®, A-dec 500® and A-dec 300® are registered trademarks of A-dec®, Inc. DCI has no affiliation with A-dec and A-dec has not authorized DCI replacement parts to be used on or in connection with A-dec® products.

A-DEC® PN	DESCRIPTION	DCI PN
98.0450.00	4-Hole Terminal	0120
98.0510.00	HP Tubing, 3-Hole w/ CT, Asepsis Straight, Black	321T
98.0536.00	HP Tubing, 4-Hole w/ CT, Asepsis Straight, Black	431T
98.0660.00	Tubing HP Exhaust Muffler	0949
98.0867.02	Control Adjustment Key to fit A-dec® Cascade / Decade 4400; Pkg of 5	9324
98.0879.00	HP Tubing, 4-Hole w/ CT, Asepsis Straight Dark Surf	435T
98.0885.00	ISO-C 6-Pin Power Optic HP Tubing, 7', Dark Surf	8990
98.1093.00	HP Tubing, 3-Hole w/ CT, Asepsis Straight, Gray	322T
98.1094.00	HP Tubing, 4-Hole w/ CT, Asepsis Straight, Gray	432T
98.1095.00	ISO 5-Hole Power Optic HP Tubing, 7', Gray	8933
98.1096.00	ISO-C 6-Pin Power Optic HP Tubing, 7', Gray	8996
98.1111.00	ISO 5-Hole Power Optic HP Tubing, 12', Gray	8977
98.1112.00	ISO-C 6-Pin Power Optic HP Tubing, 12', Gray	8998
98.1113.00	HP Tubing, 4-Hole w/ CT, 12', Asepsis Straight, Gray	445T
99.0528.00	Holder Assy, Standard, Black	5945
99.0528.01	Holder Assy, Standard, Gray	5965
99.0537.00	Holder, Auto HP, w/ Lockout Toggle, Black	5940
99.0537.01	Holder, Auto HP, w/ Lockout Toggle, Gray	5960
99.0541.00	Holder Replacement, Auto HP, Black	5941
99.0541.01	Holder Replacement, Auto HP, Gray	5961
99.0547.00	Holder, Electric Auto, Normally Open, Black	5966
99.0547.01	Holder, Electric Auto, Normally Open, Gray	5967
99.0550.00	Holder Replacement, Standard, Black	5942
99.0550.01	Holder Replacement, Standard, Gray	5962

Pelton & Crane® Products

P&C® PN	DESCRIPTION	DCI PN
2218	O-Ring 55-85 Buna-n Bulk Y	11749
2252	O-Ring, Viton, .053 I.D. x .064 Width; Pkg of 12	2252
3025	Block Syringe Assy	3025
3085	Syringe Button w/ Spring, Quick Clean	3085
4007	Union Tee 5/16 Comp	0136
4014	Pelton & Crane Door Seal, OCM, 8"	2100
4146	Relief Valve, Midmark / Ritter M9 & M11, Pelton & Crane® OCM & OCR	2816
4341	Pelton & Crane® Door Seal, OCR, 10"	2101
4430	HP Tri-Block Diaphragm	4430
4433	HP Quad-Block Diaphragm	4433
4924	Pelton & Crane® Head Gasket; Pkg of 3	2671
4925	Pelton & Crane® Valve Plate Gasket; Pkg of 3	2672
4930	Pelton & Crane® Motor End Gasket; Pkg of 3	2674
5070	Pelton & Crane® Motor Isolator Spring; Pkg of 12	2673
5088	Standard Autoclavable Saliva Ejectors, w/ Quick Disconnect & Threaded Tip	5088
5159	1/4" MPT x FPT Street Elbow	0840
5171	Economy Autoclavable Extended, Vacuum Valve Lever	5171
5174	Swivel Q.D. HVE w/ O-Ring, P&C	5174
5670	Economy Autoclavable Saliva Ejector Lever	5670
5810	Vacuum Canister Kit Black	5810
5866	Vacuum Canister Cap w/ O-Ring, Bracket Mounted, Gray	5866
5888	Vacuum Canister Cap w/ O-Ring, Bottom & Side Mounted, Gray	5888
5998	Stem w/ O-Rings for Auto HP Holder Valve, Normally Open	5998
6132	Foot Control Toggle Assy, Gray	6132
6702	Pelton & Crane® Knuckle Washer, LF II; Pkg of 12	8698
6777	Pelton & Crane® Light Shield, LF I	8600
7054	Side Port Needle Valve	7054
7084	Air Electric Switch, 10 PSI, Normally Open	7084
7096	Power Switch, 125 Vac 15 Amp	8114
7132	Pelton & Crane® Water Relay w/ Flow Control	7139

A-dec®, Cascade®, Century Plus®, Century®, Continental®, Decade®, Performer®, Preference®, Preference Collection®, Radius®, A-dec 500® and A-dec 300® are registered trademarks of A-dec®, Inc. DCI has no affiliation with A-dec and A-dec has not authorized DCI replacement parts to be used on or in connection with A-dec® products.



P&C® PN	DESCRIPTION	DCI PN
7427	Pelton & Crane® Chairman Chair Switch, Black Toggle	9248
7428	Pelton & Crane® Chairman Chair Switch, White Toggle	9247
7898	Pelton & Crane® Chairman Chair Switch, Auto Position, Red Push Button	9249
7899	Pelton & Crane® Chairman Chair Switch, Auto Return, Black Push Button	9254
11032	1/4" Poly Q.D. Panel Mount w/ Shut-off, Female	0011
11064	10-32 Coupler, Male; Pkg of 5	0062
11064	10-32 Coupler, Male	0062-1
11069	10-32 Cross Connector, Female	0064
11069	10-32 Cross Connector, Female	0064-1
11070	10-32 Tee Connector, Female	0065
11092	1/8" Barb x 10-32 Female x 1/8" Barb Tee; Pkg of 5	0076
11092	1/8" Barb x 10-32 Female x 1/8" Barb Tee	0076-1
11094	1/16" In-line Barb	0077-1
11097	1/8" In-line Barb; Pkg of 10	0078
11097	1/8" In-line Barb	0078-1
11100	1/16" x 1/8" In-line Barb; Pkg of 10	0079
11100	1/16" x 1/8" In-line Barb	0079-1
11155	4-Hole Terminal	0120
11217	Barb Press In 3/16"	0985
11217	Barb Press In 3/16"	11217
11217	Barb Press In 3/16"	0985
11493	Garden Hose Washer	0850-1
11624	Supply Tubing, 1/4", Poly Clear	1403
11723	O-Ring, Buna-n, .176 I.D. x .070 Width, .008; Pkg of 12	2205
11727	O-Ring, Buna-n, .426 I.D. x .070 Width, .013; Pkg of 12	2207
11737	O-Ring, Buna-n, .180 I.D. x .040 Width; Pkg of 12	2212
11779	O-Ring, Buna-n, .676 I.D. x .070 Width, .017; Pkg of 12	2237
11797	O-Ring, Buna-n, 2.109 I.D. x .139 Width; Pkg of 12	2246
11797	.227 O-Ring Bulk	2246-1
12149	Cuspidor Screen	5312
12159	Knob Only, Needle Valve, Gray	7069
12173	Block Syringe Alternative-Elct	3032
12188	Cuspidor Bowl	5311
12208	Valve Cleaning HVE Brush; Pkg of 5	5620

P&C® PN	DESCRIPTION	DCI PN
12208	Valve Cleaning HVE Brush	5620-1
12209	Valve Cleaning SE Brush; Pkg of 5	5621
12209	Valve Cleaning SE Brush	5621-1
12354	Actuator Lever for 5960, Gray	5972
12490	Toggle Valve, Momentary, 3-Way, Normally Closed, Black	7025
12490	Valve Momentary 3-Way N.C.	7025-1
12517	Needle Valve w/ Knob, Gray	7052
12527	Water Relay, Retracting	7350
12624	Rectangular Air Gauge	7270
12638	Cart Frame, Small U-Frame	8006
12643	Tray, Stainless Steel, 9-3/4" x 13-1/2"	8013
12736	Block Pin Mount-Anodize / Grn	12736
12822	Storage Tub, Includes Hinge, Dividers, & Lid	8410
12830	Bar Holder Tub	8399
12923	Bushing .50 I.D. .625 O.D. 1" LG Brz	8284
12929	Pin Spring 3/16 O.D. x 1/2 LG SS Y	12929
12953	Nut Hex 6-32 SST	9714
13006	Washer .510 x .990 x .031THK White Delrin	13006
13007	Washer .201 x .46 x .062 Nylatron	13007
13053	SCR FH SOC 10-32 x 3/8 SST Y	13053
13060	SCR SET SOC 10-32 x 1/4 OP STL	9844
13066	SCR SOC CAP 6-32 x 1/2 SSTY	13066
13070	SCR BH SOC 10-32 x 1/4 SSTY	13070
13075	SCR BH SOC 10-32 x 1/2 SST	9795
13077	Screw SST	9861
13083	SCR.BH.SOC 10-32 x 3/8 SST	9072
13085	SCR BH SOC 8-32 x 1/4 SST	13085
13203	Automatic HP Tri-Block	4421
13269	SCR BH SOC 6-32 x 3/8 SST	9794
13501	Toggle Cartridge Valve, Momentary, 3-Way, Normally Closed, Gray	7813
3321820	Pelton & Crane® LFII Dimmer Switch	2960
13606	SCR BHSC 1/4-20 x 3/4 SSTY	13606
13612	Toggle Valve, On/Off, 3-Way, Gray	7016
13613	Toggle Valve, On/Off, 3-Way, Gray	7016
13614	Toggle Routing Valve, 2-Way, Gray	7001
13707	1/16" Cross Connector, Metal	0952

P&C® PN	DESCRIPTION	DCI PN
13777	Bushing, Light Post, 1-7/8 x 1-3/8	8471
13779	Vacuum Canister Side Port w/ Bracket	5872
13866	Economy Autoclavable Saliva Ejector w/ Quick Disconnect	5660
14129	Swivel SE w/ O-Ring Anodized	5671
14149	SCR FH SOC 6-32 x 1/4 SST Y	14149
14183	Pin .062 DIA x .35 LG SST	9647
14219	Cap Bottle w/ PS-22 Seal 28 mm x 19.0 mm	8126
14391	Screw Button HD SOC 6-32 x 3/4	9754
14528	Tubing Stripper	8621
14571	Toggle Valve, Side Port, 3-Way, Gray	7156
14693	O-Ring, Buna-n, .270 I.D. x .070 Width; Pkg of 12	2260
14693	O-Ring, 5-052 Buna	2260-1
14827	Tip Assist. Arm	8268
14845	Block, Mount, Tri-Block	14845
14846	SCR BH SOC 6-32 x 1/2 SST	14846
14880	Water Relay, Non-Retracting	7068
014901	Pelton & Crane® Light Reflector Bushing, LF II; Pkg of 2	8700
14911	Flow Restrictor	7022
15155	Adjustable Cuspidor Hinge	4152
15179	Side Port Needle Valve	7054
15180	2-Way N.C. Toggle Valve Gray	7158
15181	Shroud Upper Cuspidor	6709
15197	Knob Only, Needle Valve, Gray	7069
15205	Pin-Stop	15205
15227	SCR SOC CAP 10-32 x 5/8 SST Y	15227
3322646	Pelton & Crane® LF II Dimmer Switch Knob	2961
15532	Pivot Telescoping Arm	15532
15541	Pin Dowell .250 DIA x 7/8 LG SST Y	15541
15542	Pin Dowell .1875 DIA x 3/4 LG SST Y	15542
15591	Clip FC Support	15591
15599	Shuttle Valve, 1/8"	7090
15613	SCR. SOC CAP 1/4-20 x 3/4 SST	15613
15622	Cart Frame, Standard H-Frame	8001
15640	Screw, Flat Head, Socket Head, 1/4-20 x 1 SST	15640
15701	Valve Moment, 3-Way NC Side Port Gray Toggle	7013
15717	Syringe Quick Disconnect Sleeve, Autoclavable	3325

P&C® PN	DESCRIPTION	DCI PN
15805	Toggle Cuspidor Aluminum	7024
15889	750 ml Plastic Bottle w/ Cap & Pick-Up Tube	8128
15975	Cart End Cap, Dome Shape, Gray	9224
16010	Toggle Valve, Momentary, 3-Way w/ Special Toggle	7009
16011	Toggle Valve, Momentary, 2-Way w/ Special Toggle	7014
16024	Vacuum Canister 1/2" Plug HVE Port	5811
16065	Plug Dome .375 Gray	9239
16087	SCR SET CP 1/4-28 x 1/4 SST	16087
16135	Valve Rear Ported 3-Way	7162
16218	Utility Center, Premium, Less Frame & Cover	8327
16253	SCR. FH. PHIL #2 x .375 LG TYPE A SST Y	16253
16311	Washer for Water Bottle Cap	8136
16366	Solids Collector Disposable Screen	5823
16420	Holder, 3-Position, Holds SE & HVE by Base	8333
16421	Holder, 4-Position, Holds 2 HVE's by Base	8335
16479	Holder, Auto HP, Molded, Normally Closed, White	4561
16480	Holder, Standard, Molded, White	4566
16660	Barb, 1/16 for Water System Manifold	0165
16661	Barb, 1/8 for Water System Manifold	0166
16749	Pelton & Crane® Gas Spring Adjusting Tool	8697
16850	Nut 4-Hole Plated (Brass)	16850
17019	O-Ring, Buna-n, .799 I.D. x .103 Width; Pkg of 12	2297
17019	O-Ring, Buna-n, .799 I.D. x .103 Width	2297-1
18997	Automatic HP Quad-Block	4425
19035	Foot Control, Wet / Dry, Sterling Tubing	6322
19035	FC Disc Type Wet / Dry w/ 10' Sterling Gray Tubing	6323
19037	Foot Control, Wet / Dry & Chip Blower, Sterling Tubing	6324
19189	2-Way N.C. Toggle Valve Gray	7158
19189	Toggle Valve, Momentary, Rear Ported, 2-Way, Gray	7169
19315	Toggle Valve, On/Off, 2-Way, Gray	7012
19316	Push Button Valve, Momentary, 2-Way, Normally Closed, Black	7030-1
19350	Holder Auto Molded Assy (White)	19350
19350	Holder Auto Molded White w/ Marus, Gray Tubing	4567
19509	FC Disc Type Wet / Dry w/ 10' Sterling Gray Tubing	6323
19511	Holder, Standard, Molded, Gray	4568



P&C® PN	DESCRIPTION	DCI PN
19514	Holder, Auto HP, Molded, Normally Closed, Gray	4869
19682	Bottle Adapter w/ Washer, Water Bottle Quick-Switch	8943
19685	Pin Dowel .125 x 1.5 LG; Replaced by 9662	19685
19685	Pin Dowel .125 x 1.5 LG	9662
19819	Stem w/o Gage Port Q.D.	19819
22438	Pelton & Crane® Light Reflector, LFI & LF +	8610
23940	Pelton & Crane® Light Reflector Bushing, LF II; Pkg of 2	8700
040262	Transformer, Input 110-120V, Output 9VDC 1 AMP	8966
040267	5-Hole Lamp Module, Red Gasket	8813
040274	Bottle 2 Liter w/o Logo Blow Molded	8169
040343	Vacuum Tubing, 1/2" I.D., Smooth Asepsis Sterling	742
040423	FC Tubing, 2-Hole, Poly Sterling	246
040735	Swivel Q.D. SE P&C Anodized	17986
041202	Syringe, Standard, Quick-Clean, Less Tubing & Kit	3430
41207	Syringe Repair Kit, Quick-Clean	3066
041759	Caster, Soft Wheel For Hard Floors, Gray	2946
041772	Assistant Stool Cylinder, 45mm Dia.	2962
041789	Doctor Stool Cylinder, 45mm Dia.	2964
041812	Vacuum Tubing, 3/4" I.D., Corrugated Sterling	715
042067	5-Hole Lamp Module, Black Gasket	8773
042103	Foot Control, Wet/Dry & Chip Blower, Sterling Tubing	6324
042811	Vacuum Tubing, 1/2" I.D., Asepsis Gray	731
042812	Vacuum Tubing, 5/8" I.D., Asepsis Sterling	739
042929	Rectangular Air Gauge	7270
42942	H-Frame Assembly DCI	15622
42942	Cart Frame, Standard H-Frame	8001
043217	HP Muffler & Oil Collector	7321
043990	Shut Off Valve Bowl Rinse 1500 Cuspidor	043990
43990	Time Delay Valve, Cuspidor Assy	9275
044251	Saliva Ejector Basket, Plastic; Pkg of 10	5755
044251	Saliva Basket Plastic Bulk	5755-1
044255	Vacuum Valves 1/2" Quick Disconnect Swivel	5082
044255	Swivel Pelton w/o Pin w/ O-Ring	5138
044255	Swivel Q.D. HVE Alum w/ O-Ring	5173
44257	10-32 Swivel Elbow	0167

P&C® PN	DESCRIPTION	DCI PN
45004	Deluxe Power Pack	8937
045431	Venturi Y Tube Assy	5245
045606	Cart Frame, Small U-Frame	8006
45831	Flow Adjusting Screw w/ O-Ring	2110
045962	FC Tubing, 3-Hole, Poly Sterling	349
045972	Vacuum Tubing, 1-3/4" I.D., Corrugated Sterling	719
045980	HVE Autocl. Premium w/ Q.D P&C	5072
045982	HVE Short Autocl w/ Q.D P&C	5200
045992	HP Muffler & Oil Collector	7321
046015	Adapter S.E. P&C, Dull Finish	20213
046015	Premium Autoclavable Saliva Ejectors 3/16" Quick Disconnect Swivel	5092
46017	3/8" Poly Q.D. w/ Shut-off, Male	0012
047038	Doctor's Stool Cylinder	2953
047039	Assistant's Stool Cylinder	2952
47185	Holder Valve, Auto HP, Normally Open, Side Port	5947
47186	Holder Valve, Auto HP, Normally Open, Rear Port	5989
047425	Solids Collector Disposable Covered Screen, 2 1/8"	5889
47732	Bottle Water Blow Molded .750 ml, w/ Grip, w/o Logo	8637
49855	Mini Regulator, 10-32 Input, Self-Relieving	7205
49871	Holder Auto Electric Molded N.O. Marus, Gray	4570
50468	Counter Top Mounted HVE, Chrome Bezel	5781
50581	Counter Top Mounted HVE, Nickel Bezel	5782
50677	Automatic HP Quad-Block	4425
050678	Pelton & Crane® Water Relay w/ Flow Control	7132
50684	Round Pressure Gauge, Panel Mount, 0-100 PSI	7265
50978	10-32 x 1/8" MPT Pipe Tee	0899
51820	Valve Assy 3000 Unit Head Handle P&C	5959
51886	Rear Ported Valve, 3-Way, Gray	7161
52244	Automatic HP Quin-Block	4427
52771	Block Syringe Assy	3025
52772	Water Relay Combo Valve Repair Kit	7133
53668	Manual Shut-Off Valve, 1/2" FPT Inlet	7100
054294	Standard Autoclavable Vacuum Valves Lever & Spool Assembly	5168
054295	Standard Autoclavable Saliva Ejector Lever & Spool Assembly	5169
56977	Valve Pilot Assy P&C	5979

P&C® PN	DESCRIPTION	DCI PN
58306	Valve Pilot N.O. Assy P&C	5928
58451	Air Electric Switch, 10 PSI, Normally Closed	7089
58463	Duck Bill Barb	0168
61223	Toggle Valve Replacement Cartridge, On/Off, 3-Way, Normally Closed, Blue w/ Gray Toggle	7903
61484	Barb 1/16 Double Ended Duckbill	0177
062804	Pelton & Crane® Premium Autoclavable Saliva Ejector, Flush Top, Long Quick Disconnect	5232
062806	Precision Comfort Premium Autoclavable Saliva Ejectors 3/16" Quick Disconnect Swivel w/ O-Ring	5217
62808	Adapter Standard HVE w/o Pin Pelton & Crane®	5180
120208	Valve Cleaning HVE Brush; Pkg of 5	5620
3322646	Pelton & Crane® LF II Dimmer Switch Knob	2961
1539241	Pelton & Crane® Door Seal, Delta, Delta XL, Validator, 8"	2102
1539407	Pelton & Crane® Door Seal, Delta, Delta XL, Validator, 10"	2103
1881031	Pelton & Crane® Fill / Vent Water Filter	2111
1897763	1/16" In-line Barb; Pkg of 10	0077
1897763	1/16" In-line Barb	0077-1
1898928	1/8" Uni-Clamp, 2-Piece; Pkg of 10	0089
1898928	1/8" Uni-Clamp, 2-Piece	0089-1
3003410	Holder, Auto HP, w/ Lockout Toggle, Gray	5960
3303075	O-Ring, Buna-n, .042 x .050 Width, -.002; Pkg of 12	2230
3305153	Kit Syringe Autocl w/ Tip P&C	3063
3305161	Syringe Tubing Sleeve, Autoclavable	3036
3306177	Syringe Tip, Autoclavable, Quick-Change, Long; Pkg of 5	3061
3321598	Pelton & Crane® Light Shield, LF II; Pkg of 2	8601
3321820	Pelton & Crane® LFII Dimmer Switch	2960
3321853	Power Switch, 125 Vac 15 Amp	8114
3321879	Pelton & Crane® Light Bulb, 24 VAC 150 Watt	8683
3321887	Pelton & Crane® Light Reflector, LF II	8932
3322281	Pelton & Crane® Door Spacer, Delta, Delta XL, Validator, 8" & 10"	2104
3322646	Pelton & Crane® LF II Dimmer Switch Knob	2961
3324782	Repair Kit, Autoclavable HVE	5145
3324816	Repair Kit, Autoclavable SE	5645
3324915	Regulator 1/8 NPT 4 Port w/ Plugs	12589
3324915	Norgren Regulator Only, Non-Relieving	7220
3336679	Holder Assy, Vacuum, Gray	5970
3336992	Pelton & Crane® Light Socket, LF I, LF II, LF III	8636
4205360	FC Disc Type Wet / Dry / Chip Blow	6316

P&C® PN	DESCRIPTION	DCI PN
4700840	Filter Element, 40 Micron	7247
4700840	Filter Element, 40 Micron; Pkg of 6	7248
5472621	SE Premium w/ Swivel Assy	5095
9431388	Solids Collector Disposable Screen Pelton & Crane® Spirit ; Pkg of 144	6821
9432311	Pelton & Crane® Reservoir Filter	2157
9442583	Saliva Ejector Tip Push-on Autoclavable, Gray	5754
002R004	10-32 x 1/16", Barb; Pkg of 100	0187
002R015	Kit 8-32 x 1/16" Barb/Washer; Pkg of 10	0084
002R019	1/8" Barb Tee, Plastic; Pkg of 10	0083
002R019	1/8" Barb Tee, Plastic	0083-1
002R022	10-32 x 1/16" Barb Elbow, Plastic; Pkg of 10	0080
002R022	10-32 x 1/16" Barb Elbow, Plastic	0080-1
003R012	1/8" MPT Adapters x 3/8" Compression Tube	0100
004R002	1/4" Poly Q.D. w/ Shut-off, Male 1/4"	0014
004R006M	1/4" Q.D. Panel Mount x 10/32 w/ Shut-off, Female	0006
005R001	1/4" Clamp Sleeve	0070-1
007R003	O-Ring, Buna-n, .056 I.D. x .060 Width, -.003; Pkg of 12	2201
007R006	O-Ring, Buna-n, .114 I.D. x .070 Width, -.006; Pkg of 12	2203
007R010	O-Ring, Buna-n, .239 I.D. x .070 Width, -.010; Pkg of 12	2214
007R013	O-Ring, Buna-n, .426 I.D. x .070 Width, -.013; Pkg of 12	2207
007R016	O-Ring, Buna-n, .614 I.D. x .070 Width, -.016; Pkg of 12	2236
007R019	O-Ring, Buna-n, .801 I.D. x .070 Width, -.019; Pkg of 12	2238
010R013	10-32 Washer, Plastic; Pkg of 100	0072
010R082-1	Washer for Water Bottle Cap	8136
015R017	Potentiometer	9258
017R020	Caster, Cart, Gray	2946
020R010	Manual Shut-Off Valve, 1/2" FPT Inlet	7100
50678	Pelton & Crane® Water Relay w/ Flow Control	7132
13612	Toggle Cartridge Valve, On/Off, 3-Way, Normally Closed, Gray	7803
15537BL	Mount Clamp Tray-Anodized / Grained	12778
15538BL	Mount Pin Tray-Anodized / Grained	12781
19035	FC Disc Type Wet / Dry w/ 10' Sterling Gray Tubing	6323
20-5501	1/8" Clamp Sleeve; Pkg of 10	0071
20-5501	1/8" Clamp Sleeve	0071-1



P&C® PN	DESCRIPTION	DCI PN
30R360	Non-Slip Pad, 6" x 11.5"	8222
33 03 075	O-Ring, Buna-n, .042 x .050 Width, -002; Pkg of 12	2230
3349D	Syringe Less Tubing & Kit, Continental, Autoclavable	3349
3450D	Syringe, Continental, Quick Clean, Less Tubing & Kit	3450
46R143	Solids Collector Disposable Screen, 2 1/8"; Pkg of 100	5887
55R012	Standard Autoclavable Saliva Ejectors w/ Quick Disconnect	5090
55R027M	Mini Regulator, 10-32 Input, Non-Relieving	7203
55R030M	Rectangular Air Gauge	7270
55R044M	Round Pressure Gauge, 0-160 PSI	7260
55R102M	Check Valve w/Ball, 1/16" Barb	7140
55R197	Flow Control Valve w/ Knob, Gray	7056
55R346	Single Shut Off Valve Assembly & Filter, Air	9187
55R347	Single Shut Off Valve Assembly & Filter, Water	9188
5811D	Vacuum Canister 1/2" Plug HVE Port	5811
60R188	Holder Valve, Auto HP, Normally Closed, Side Port	5948
60R218	Valve Pilot Non-Exhausting	60R218
62R049	Stud Filter Cover	62R049
62R050	Filter Element, 40 Micron	7247
62R053	Filter Cover Nut	62R053
62R054	9 Hole Gasket; Pkg of 10	9004
62R064	Diaphragm, 1"; Pkg of 10	9002
62R071	Water Valve, Housing, Black Body	9094
62R074	Spring, Conical .260 / .350 O.D.; Pkg of 10	9095
62R076	Valve Relay Assy Black 1 Hole N	9130

RETURN PROCEDURE

OVERSTOCK RETURNS

Items must be in original condition to be eligible for return; no credit will be issued on used, installed, damaged or incomplete returns (no partial packages).

Customized, obsolete, discontinued and upholstery items will not be accepted for credit. Returns will not be accepted once one year has passed since the original invoice date.

15% Restocking fee will be applied on overstock Reliance Operatory Equipment returns.

▶ Before returning the product, call DCI Customer Service for a Return Authorization Number. Please have the following information when you call:

- Customer number
 - Part numbers and quantities for all return items
 - The corresponding DCI invoice or order number
- ▶ Carefully package all return items to prevent shipping damage. Please contact DCI Customer Service for proper packaging materials if needed.
- ▶ Write the Return Authorization Number on the outside of the package and reference the number on any accompanying items and paperwork.
- ▶ Ship to DCI at the shipping address below.

ONE YEAR GUARANTEE

DCI has put significant time and effort into designing, manufacturing or selecting all the fine products within this catalog. Therefore we are able to fully guarantee every product we sell to be free of manufacturing defects for one year from the time of purchase (except fiber optic tubing which is warranted for six months and power optic light bulbs, lamp modules and light bulbs which have an "out of box" warranty). Should any product fail, DCI will repair or replace the product at no charge to the customer.

▶ Before returning the product, call DCI Customer Service for a Return Authorization Number. Please have the following information when you call:

- Reason for return/type of failure
 - Customer number
 - Part numbers and quantities for all return items
 - The corresponding DCI invoice or order number
- ▶ Write the Return Authorization Number on the outside of the package and reference the number on any accompanying items and paperwork.
- ▶ Ship to DCI at the shipping address below.

RETURNS SHIPPING ADDRESS:

DCI, ATTN: Returns, 705 S. Springbrook Road, Building B, Newberg, OR, 97132-0228, U.S.A.

MAILING ADDRESS: DCI, P.O. Box 228, Newberg, OR, 97132-0228, U.S.A.

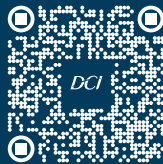
THIRD PARTY TRADEMARK NOTICE

A-dec®, Cascade®, Century Plus®, Century®, Continental®, Decade®, Performer®, Preference®, Preference Collection®, Radius®, A-dec 500® and A-dec 300® are registered trademarks of A-dec®, Inc. of Newberg, Oregon. Dentech® is a registered trademark of Alliance H., Inc. of Sumas, Washington. Midmark® is a registered trademark of Midmark Corp. of Versailles, Ohio. Tapmaster® is a registered trademark of Tapmaster Inc. of Calgary, Canada. Pelton & Crane™ is a trademark of Pelton & Crane of Charlotte, North Carolina. Marus™ is a trademark of Marus Dental International of Newberg, Oregon. DENTSPLY® is a registered trademark of DENTSPLY International Inc. of York, Pennsylvania. Belmont® is a registered trademark of Takara Belmont USA, Inc. of Somerset, New Jersey. Tuttnauer® is a registered trademark of Tuttnauer USA Company, Ltd. of Hauppauge, New York. DentalEZ® is a registered trademark of DentalEZ, Inc. of Malvern, Pennsylvania. SciCan® is a registered trademark of SciCan Ltd. of Canonsburg, Pennsylvania. RAMVAC® is a registered trademark of RAMVAC Dental Products, Inc. of Spearfish, South Dakota. The parts described in this catalog are manufactured by DCI to fit products manufactured and sold by third parties under the foregoing third party trademarks.

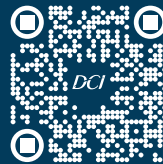


FOR THE LATEST VERSION,
CHECK OUT OUR ONLINE PARTS CATALOG

PARTS CATALOG



PARTS WEBSITE



DCI Corporate Office

705 S Springbrook Rd
Newberg, OR 97132
customerservice@dcionline.com

1-800-624-2793

Mon to Fri 5am-5pm PST

